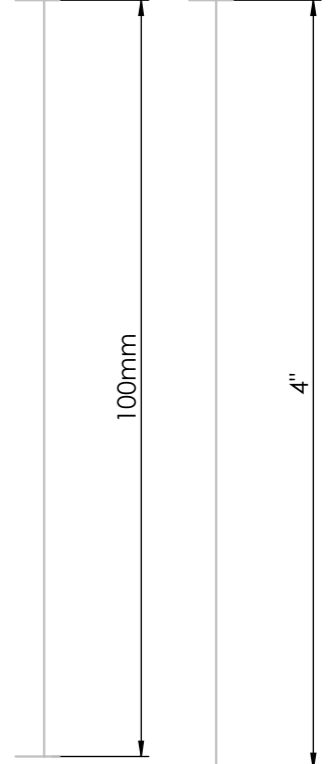
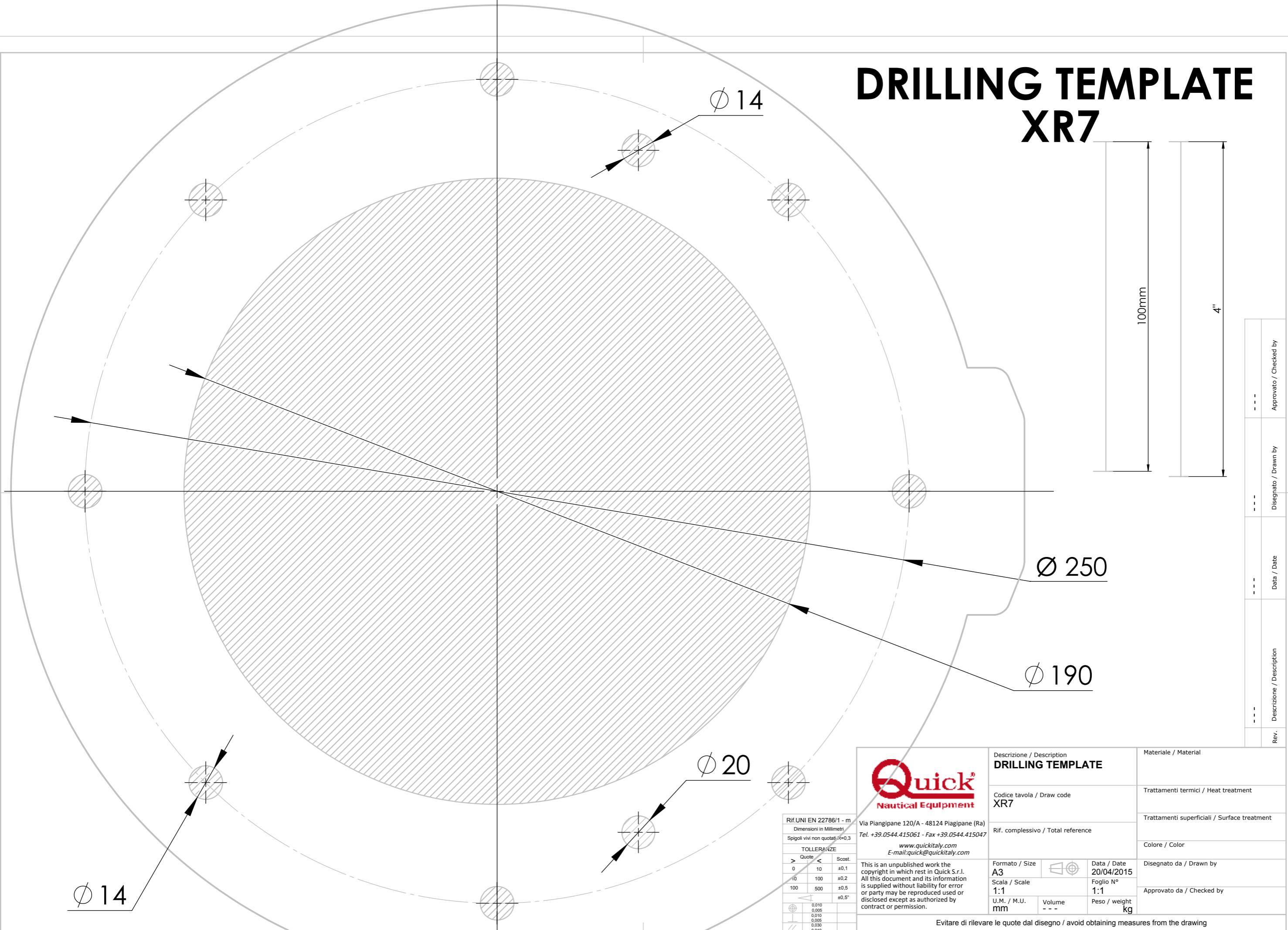



DRILLING TEMPLATE XR7



---	Approvato / Checked by
---	Disegnato / Drawn by
---	Data / Date
---	Descrizione / Description
---	Rev.



Via Piangipane 120/A - 48124 Piagipane (Ra)
Tel. +39.0544.415061 - Fax +39.0544.415047
www.quickitaly.com
E-mail: quick@quickitaly.com

Descrizione / Description DRILLING TEMPLATE		Materiale / Material	
Codice tavola / Draw code XR7		Trattamenti termici / Heat treatment	
Rif. complessivo / Total reference		Trattamenti superficiali / Surface treatment	
Formato / Size A3		Data / Date 20/04/2015	
Scala / Scale 1:1		Foglio N° 1:1	
U.M. / M.U. mm	Volume ---	Peso / weight kg	

This is an unpublished work the copyright in which rest in Quick S.r.l. All this document and its information is supplied without liability for error or party may be reproduced used or disclosed except as authorized by contract or permission.

Rif. UNI EN 22786/1 - m		
Dimensioni in Millimetri		
Spigoli vivi non quotati r=0,3		
TOLLERANZE		
Quote	<	Scost.
>	10	±0,1
10	100	±0,2
100	500	±0,5
		±0,5°
⊕	0,010	
⊖	0,005	
⊕	0,010	
⊖	0,005	
∥	0,030	
∥	0,010	

Evitare di rilevare le quote dal disegno / avoid obtaining measures from the drawing