

SHOCKWAVE

SHOCK MITIGATION SEATING

PRODUCT SPECIFICATIONS

SW-S3-13014



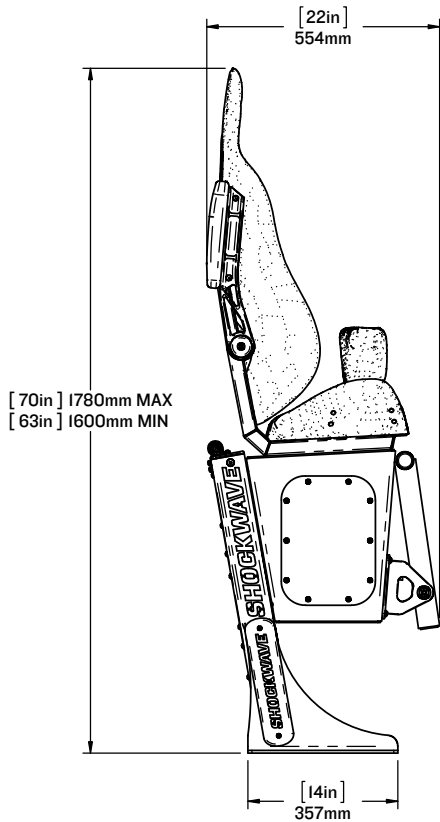
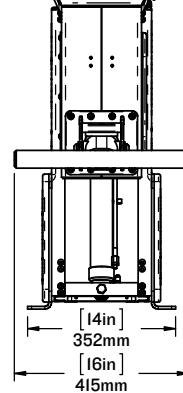
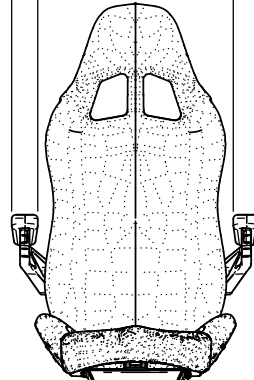
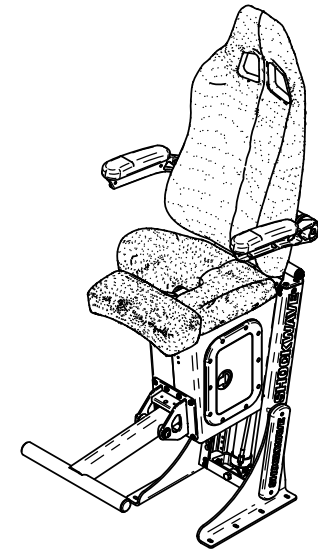
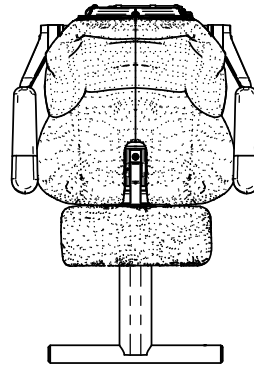
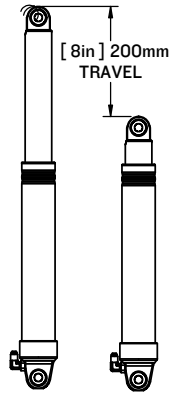
Corbin



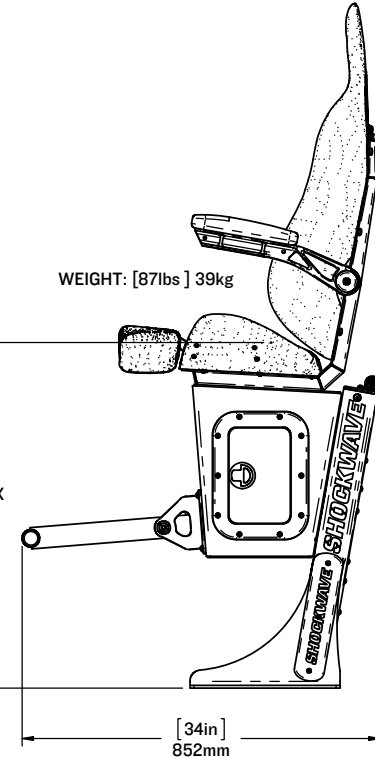
FURUNO



LEARN MORE ABOUT OUR PRODUCTS AT
SHOCKWAVESEATS.COM



[70in] 1780mm MAX
[63in] 1600mm MIN



WEIGHT: [87lbs] 39kg

SEAT OPTIONS:
[38in] 970mm MAX
[36in] 910mm
[33in] 850mm
[31in] 790mm MIN

SHOCKWAVE

FOR MORE INFORMATION
CALL US AT 250-656-6165
OR VISIT US ONLINE AT
WWW.SHOCKWAVESEATS.COM

PROPRIETARY AND CONFIDENTIAL

NOTICE: THIS DRAWING MAY REVEAL DESIGNS OR INFORMATION PROPRIETARY TO PROFESSIONAL COMPONENTS LTD. BY ACCEPTANCE OF REPRODUCTIONS, RECIPIENTS AGREE TO PROTECT PROFESSIONAL COMPONENTS LTD. RIGHTS AND ARE WARNED AGAINST USE OF THE DOCUMENT FOR ANY PURPOSE OTHER THAN THAT FOR WHICH IT WAS ISSUED.

SW-S3-13014
S3A CORBIN HIGH BACK FLIP BOLSTER SEAT WITH STORAGE BOX

SCALE:1:18

SHEET 1 OF 1

REV: 00