

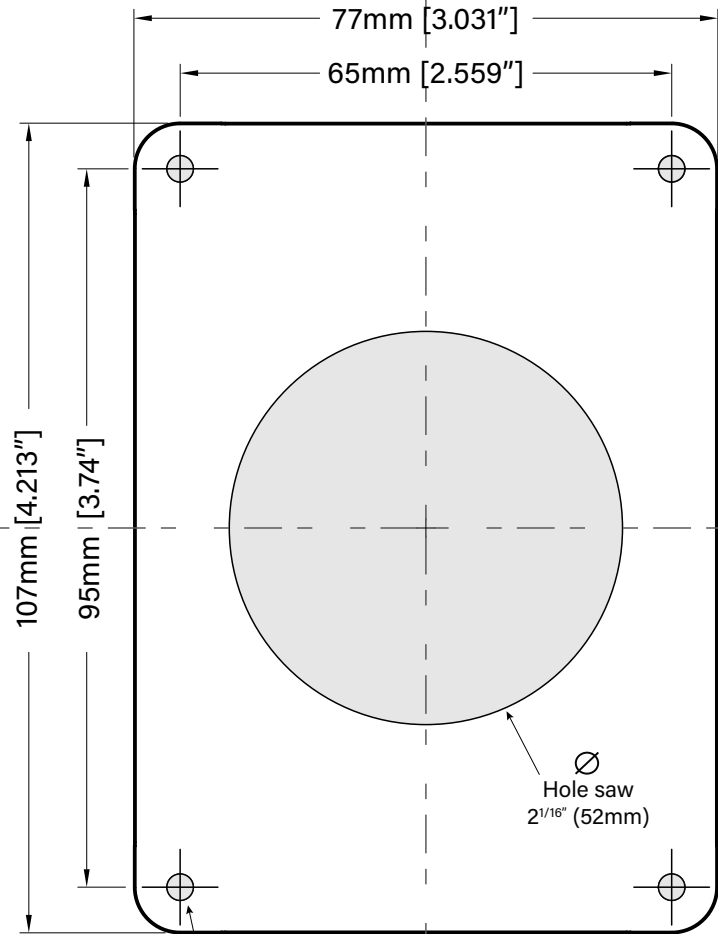
### Mounting template



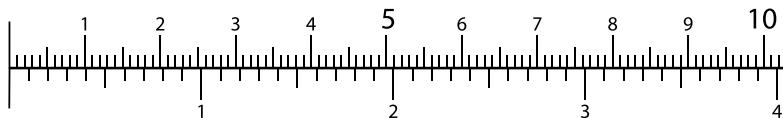
ORIENTATE UPWARD FOR  
PORTRAIT KEYPAD



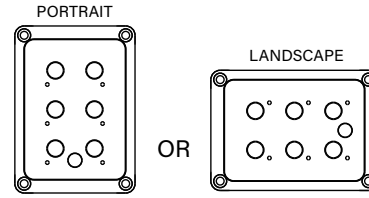
ORIENTATE UPWARD FOR  
LANDSCAPE KEYPAD



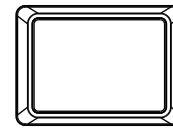
**Please check scale before using**



### Parts in the box



OR  
Keypad



Bezel

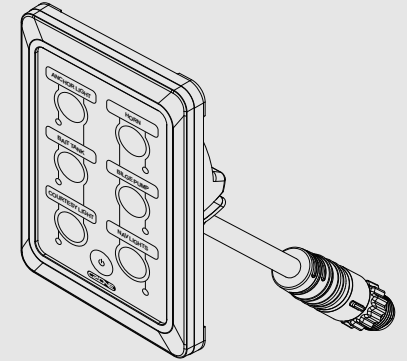


4 x Screws



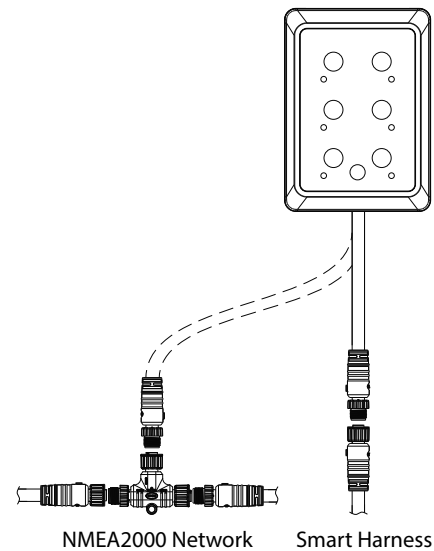
Gasket

### Installation Guide



### Waterproof Keypad

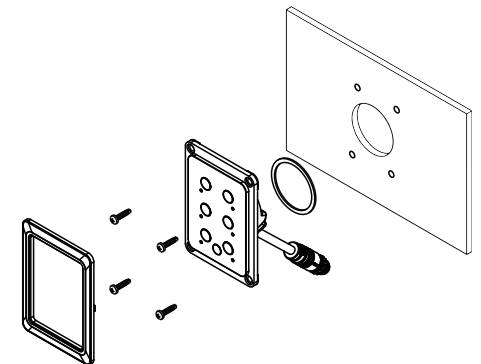
### Wiring



NMEA2000 Network

Smart Harness

### Installation



1. Drill dash cutout
2. Set dipswitch
3. Install keypad with gasket
4. Screw keypad to dash
5. Install bezel
6. Connect network cable