

Delta T Systems 9 INCH DC AXIAL FANS



DELTA "T" SYSTEMS



Delta T Systems

9 INCH DC AXIAL FANS



Features – CE Labeled with up to a 59% increase in airflow over the earlier types. Ignition proof construction, conforms to J1171, ISO 8846 and ISO 9097.

Application - Ideally suited for small vessel engine rooms and OEM applications where compact high flow ventilation systems are required. Excellent for today's high horsepower vessels, the 9" Axial Fan provides 2 to 3 times the air volume of small DC centrifugal marine blowers with lower electrical load requirements.

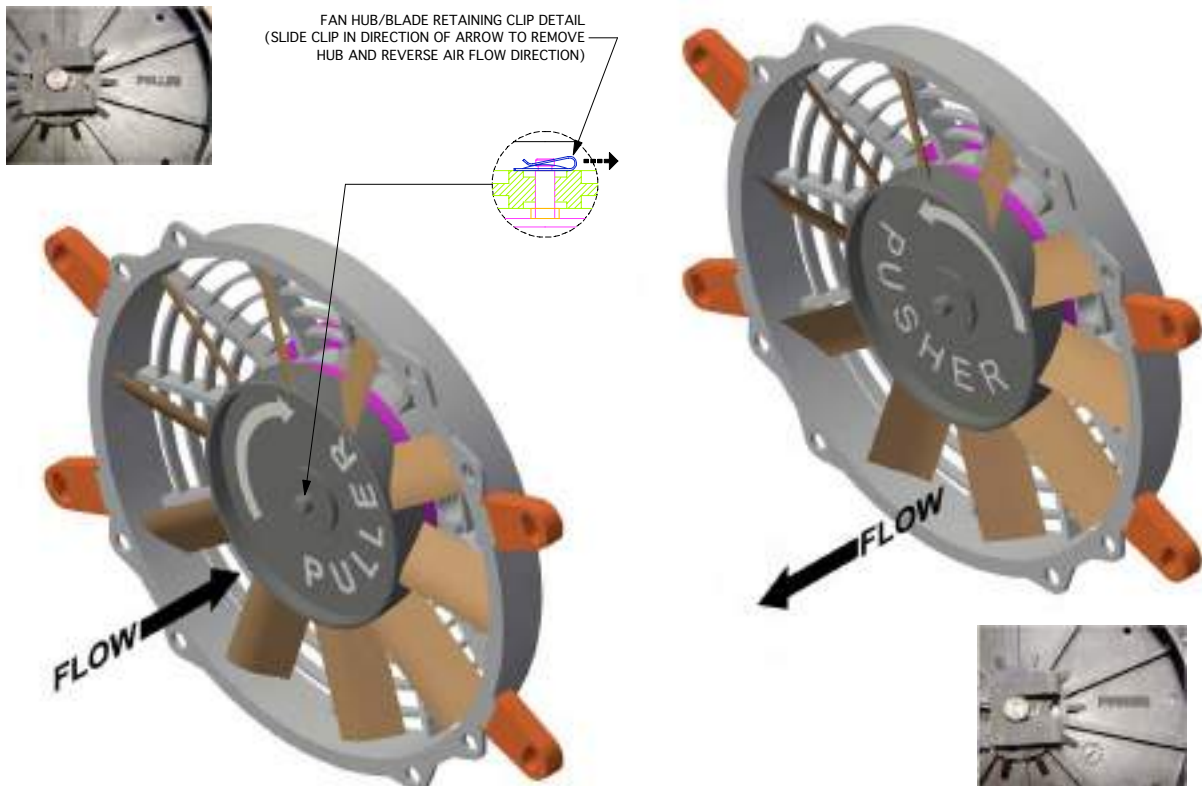
Design & Construction — The 9" Axial Ventilation Fan is specifically designed and built for the rigors of the marine environment – not adapted from other industries. With a flanged shroud made of glass filled nylon, this unit provides a nearly indestructible, compact fan with superior corrosion resistance. Extended wiring leads from the motor for simple quick electrical connections. By simply changing motor polarity, removing the hub/shaft clip and reversing the hub allows this fan to be used for “pusher” or “puller” applications.

Motor — A sealed DC direct drive motor provides quiet reliable service. Motors are totally enclosed (TEAO) double shielded ball bearing type with “O”- Ring Seals. Constructed with die cast aluminum end plates and tough black Teflon epoxy coating for superior corrosion resistance. Armatures are fitted with stainless steel shafts and are dynamically balanced for quiet, vibration free operation.

Fan Hubs & Blades — A 10-blade glass filled nylon hub with a pilot is secured directly to the motor shaft.

Finish — Black glass filled nylon (housing, guard, & hub) with black Teflon epoxy coating (motor housing).

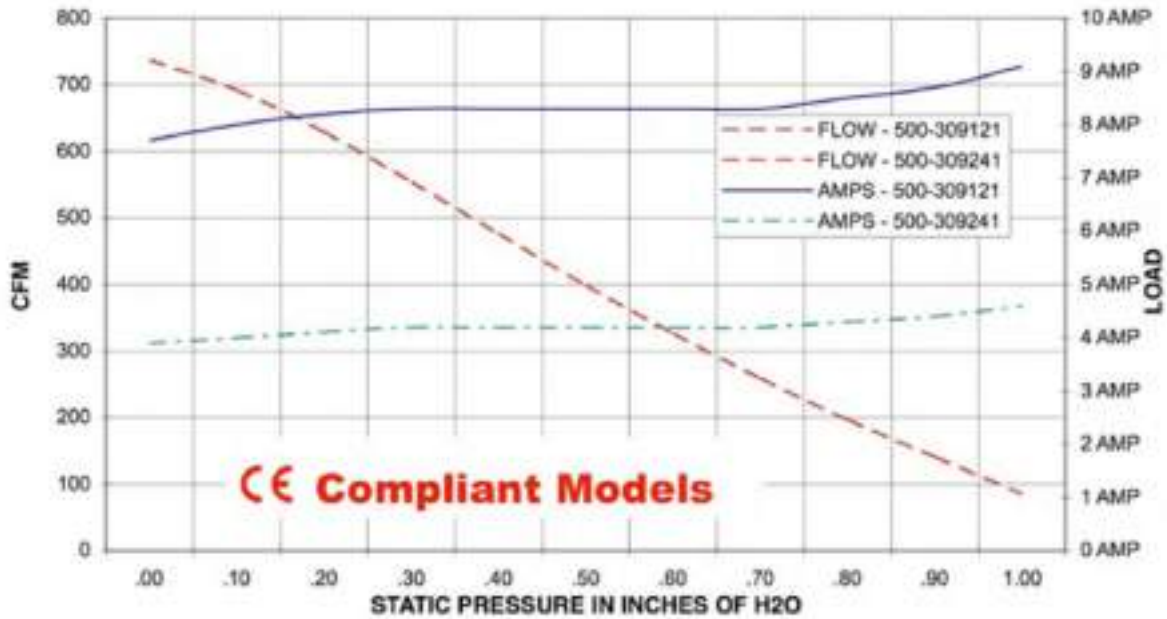
- 12 Volt DC — Part No. 500-309121IP
- 24 Volt DC — Part No. 500-309241IP



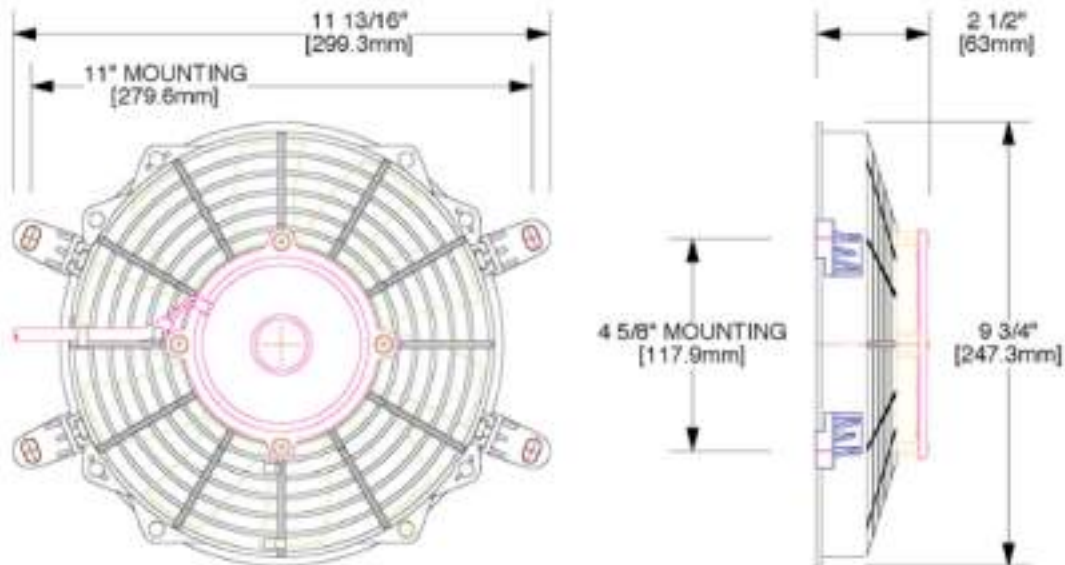
Delta T Systems 9 INCH DC AXIAL FANS



PERFORMANCE



DIMENSION



WIRING

RED = + (Positive VDC)
BLACK = - (Negative VDC)