

SV44 Surface Mount GEN II



Patent Pending

SV44 GEN II technical specs

The improved Gen II SV44 is a high powered eight LED surface mounted underwater light. The unique elongated domed lens provides a wide angled lighting effect in the water which eliminates the need for multiple lights on smaller boats and reduces the number of lights required on larger boats. Corrosion is eliminated with the use of a thermally conductive polymer, CoolPoly®, thermoplastic housing. The durable borosilicate lens makes cleaning the light simple. Bonding is not required which further simplifies the installation procedure. Available in blue or white colors this light is ideal for any boat requiring surface mounted underwater lights.

| | |
|------------------------|--|
| Application for: | Fiberglass / wood hulls |
| Glass Lens: | Convex cylindrical |
| Power Supply: | 11-28 volt d.c. - 0.75 Amps 24V/1.5 Amps 12V |
| Light Source: | White or blue LED array |
| Life Length: | Approx. 30,000 + hours |
| Kelvin color temp: | 6500K Lumens: 1826 |
| Dimensions: | Length: 6.46" (164mm) Height: 1.73" (44mm) Thickness: 1.14" (29mm) |
| Construction: | Black nylon and black thermoplastic |
| Total shipping weight: | 2 lbs |
| Installation: | Fastened to a flat surface by way of three flat head screws The placement of surface mounted underwater lights on the hull bottom or sides is not recommended |

Note: All information is subject to change without prior notice, please confirm details prior to ordering.



3406 SW 26th Terrace, C-6/7, Fort Lauderdale, FL 33312 USA
T. 954 760 4447 Toll Free 1 866 772 0130 F. 954 525 3261
sales@seavision.com www.seavision.com

SV44 Light Gen II

SURFACE MOUNTED,
8 LED, 11-28VDC



Introduction:

Congratulations on the purchase of your new surface mounted LED light (Patent Pending). Underwater Lights® USA, LLC takes pride in providing well designed, high quality and thoroughly tested lights that allow you to "enhance your boating experience". These lights can be installed in your vessel for aesthetics, to attract fish, for security and safety.

General Operating Information:

The commercial grade Light Emitting Diode (LED) technology used in this light will provide robust and reliable operation under normal operating conditions.

The light can be operated for a brief period of time when the vessel is out of the water, however, the light can be operated while the vessel is underway.

Depending upon water clarity conditions, the light beam can reach up to 9 meters (30 feet).

General Safety Information:

Always disconnect and lock-out power source before working on light.

This light should be attached to the flat surface of a fiberglass or wood hulled vessel.

Marine growth should be removed from the convex cylindrical lens using a soft brush to allow illumination to exit the light.

Technical Specifications:

Light source = White or Blue LED array - 1826 Lumens (Peak Axial Candela 1574) - 6500 Kelvin color temperature (white) - Approximately 30,000 hours life

Internal thermal limit protection and reverse polarity protection included.

Lens = Convex cylindrical borosilicate glass - 143mm (5.63") long x 23mm (0.91") high net aperture - 9.5mm (0.93") thick

Dimensions = 164mm (6.46") long x 44mm (1.73") high x 29mm (1.14") thick - 216 grams (0.5 lbs)

Construction = Black nylon and black thermoplastic

Power source = 11-28VDC input - 0.75 Amps 24V / 1.5 Amps 12V - 30 Watt - Operating temp from -30°C (-22°F) to 50°C (122°F)

Troubleshooting:

Please contact our technical support staff in Florida at 1-954-760-4447, Monday to Friday from 8:00 am to 5:00 pm EST.

Warranty:

Underwater Lights® USA, LLC warrants this light to be free from defects in workmanship and materials for a period of two years from the date of original purchase. Further, misuse, abuse, improper installation, neglect, improper shipping, damage caused by disasters such as fire, flood and lightning, unauthorized repair or modifications will void said warranty. Should your light prove defective during the warranty period, promptly contact Underwater Lights® USA, LLC for an RMA number and then return the light freight prepaid with the RMA number clearly marked on the outside of the shipping container.

Underwater Lights USA, LLC
3406 S.W. 26th Terrace, C-6/7
Fort Lauderdale, FL 33315 USA
Phone: 1-954-760-4447
Fax: 1-954-525-3261
Internet: www.seavision.com
Email: sales@seavision.com

DOC:111807-13

Underwater Lights Europe Sarl
16, rue Rouaze
06400 Cannes, France
Phone: 33-(0)-4-97-21-02-96
Fax: 33-(0)-4-97-21-10-96
Internet: www.seavision.com
Email: sales@seavisioneurope.com

SV44 Light Gen II

**SURFACE MOUNTED,
8 LED, 11-28VDC**



Installation:

This light should be installed at least 125-150mm (5-6") below the water line by qualified/approved personnel using proper tools and material. The placement of surface mounted underwater lights on the hull bottom or sides is not recommended. **Important!**

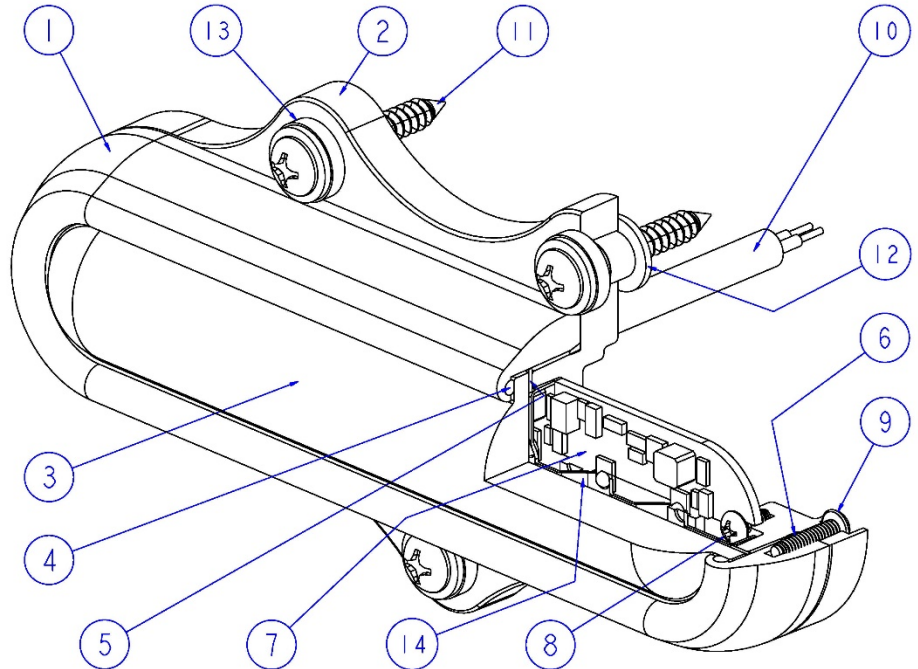
To prevent lense breakage, mounting surface must be flat and have no raised imperfections. To prevent mounting tab breakage, carefully and evenly tighten the three Phillips Pan Head Screws (11) by hand using a screwdriver (do not use power tools!).

After selecting an appropriate flat surface on the vessel hull, drill an 8mm (5/16") diameter hole through said surface for electrical cable routing then attach the light using three Phillips Pan Head Screws (11) and 3M 5200 marine adhesive or equivalent. Note: Depending upon installation surface material, three small pilot holes may be required. Caution! Check that no electrical wiring, fuel lines, oil lines, water lines etc., pass near the desired mounting location.

Route Electrical Cable (10) above the water line (or thru vessel hull) and into the vessel proper, then secure accordingly. Caution! Avoid making tight bends and/or passing electrical cable over sharp edges/surfaces. Connect RED wire lead to a switched and fused power source utilizing supplied fuse and connect BLACK wire lead to a good ground.

The placement of surface mounted underwater lights on the hull bottom or sides is not recommended.

| MODEL G18M15Z48-99Z99Z-24 WHITE, 12/24VDC MODEL G18M15Z49-99Z99Z-24 BLUE, 12/24VDC | | |
|---|----------------|-----------------------------------|
| BALLOON | PART | DESCRIPTION |
| 1 | 44006 | FRONT FLANGE |
| 2 | 44062 | BACK COVER |
| 3 | 44011 | LENSE |
| 4 | 44045 | LENSE O-RING |
| 5 | 44034 | GLASS GASKET |
| 6 | 44046 | BACK COVER O-RING |
| 7 | 44071 44072 | WHITE LED ARRAY BLUE LED ARRAY |
| 8 | 44058 | No. 4-24 x 1/4 LG SST PPHS |
| 9 | 44067 | No. 4-24 x 1/2 LG SST PPHS |
| 10 | 44050 | ELECTRICAL CABLE |
| 11 | 44061 | No. 10 x 1-1/4" LG SST PPHS |
| 12 | 44068 | TAB BUSHING |
| 13 | 44069 | TAB WASHER |
| 14 | 44073 | REFLECTOR |



Underwater Lights USA, LLC
3406 S.W. 26th Terrace, C-6/7
Fort Lauderdale, FL 33312 USA
Phone: 1-954-760-4447
Fax: 1-954-525-3261
Internet: www.seavision.com
Email: sales@seavision.com

DOC:111807-13

Underwater Lights Europe Sarl
16, rue Rouaze
06400 Cannes, France
Phone: 33-(0)-4-97-21-02-96
Fax: 33-(0)-4-97-21-10-96
Internet: www.seavision.com
Email: sales@seavisioneurope.com

IMPORTANT NOTICE!



English:

All drawings of general management, design detail and invention are the property of Underwater Lights USA, LLC and may be used solely for work contracted or by express written permission of Underwater Lights USA, LLC. This applies to first hand use and material on loan to others. Any infringement may be liable to penalty and/or compensation without regard to the question of guilt. All drawings are subject to detail development during the course of construction, and all rights of reproduction are reserved. Any information provided by Underwater Lights USA, LLC in either hard copy or electronic format may be subject to change/s without prior purchaser, customer or end user notice.

French:

Tous les dessins, détails généraux, de conception et d'invention sont la propriété de Underwater Lights USA, LLC et ne peuvent être utilisés que pour des travaux sous contrat ou avec l'autorisation écrite expresse de Underwater Lights USA, LLC. Ceci s'applique à la fois à la première utilisation et au matériel emprunté ou visualisé par des tiers. Toute infraction peut faire l'objet de sanctions et / ou d'une indemnisation sans qu'il soit nécessaire d'établir la preuve de culpabilité. Tous les dessins font l'objet de développements détaillés pendant la construction et tous les droits de reproduction sont réservés. Les informations fournies par Underwater Lights USA, LLC, en version papier ou électronique, peuvent être sujettes à modification(s) sans notification préalable à l'acheteur, au client ou à l'utilisateur final.

Italian:

Tutti i disegni, generali, dettagli di progettazione e di invenzione sono di proprietà della Underwater Lights USA, LLC e possono essere utilizzati esclusivamente per il lavoro contratto o mediante espressa autorizzazione scritta della Underwater Lights USA, LLC. Ciò vale sia per la prima utilizzazione sia per il materiale in prestito o visione a terzi. Qualsiasi infrazione può essere soggetta a sanzioni e/o indennizzi senza considerare la questione del senso di colpa. Tutti i disegni sono soggetti a sviluppo dettagliato durante la costruzione e sono riservati tutti i diritti di riproduzione. Le informazioni fornite dalla Underwater Lights USA, LLC, in copia cartacea o elettronica, possono essere soggette a modifica/modifiche senza preavviso all'acquirente, al cliente o all'utente finale.

Spanish:

Todos los dibujos, detalles de diseño y creación son propiedad de Underwater Lights USA, LLC y pueden ser utilizados únicamente para trabajos relacionados o a través de autorización escrita de Underwater Lights USA, LLC. Esto aplica a utilizarlos de primera mano o a material prestado a otros. Cualquier violación de estos términos puede ser penalizada y/o una compensación puede ser requerida sin cuestionar la culpabilidad. Todos los dibujos están sujetos a ser desarrollados en detalle durante el transcurso de la construcción y todos los derechos de reproducción son reservados. Toda la información proporcionada por Underwater Lights USA, LLC tanto en forma impresa como digital está sujeta a cambios en cualquier momento sin notificarle al comprador, cliente o usuario final.