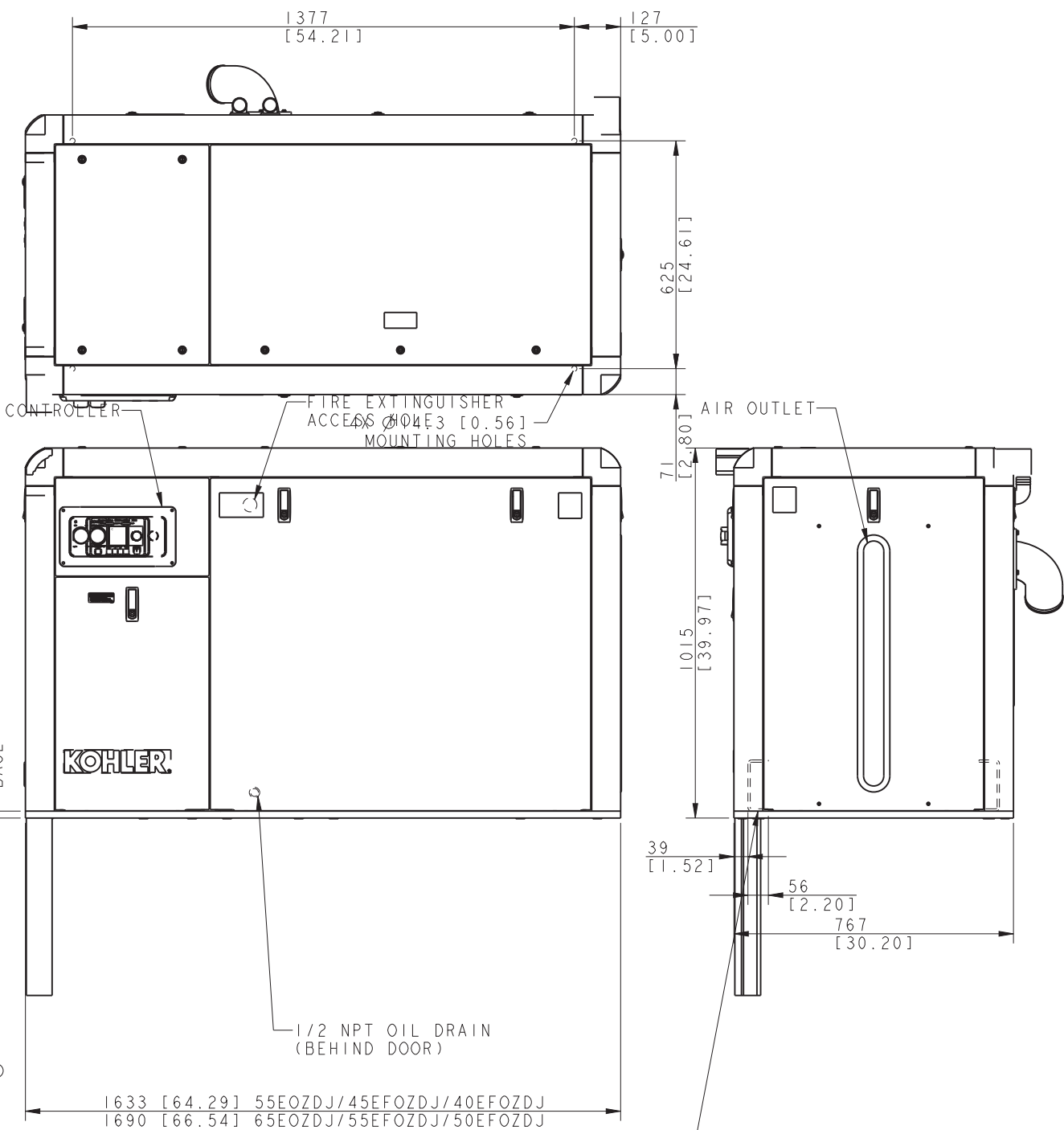
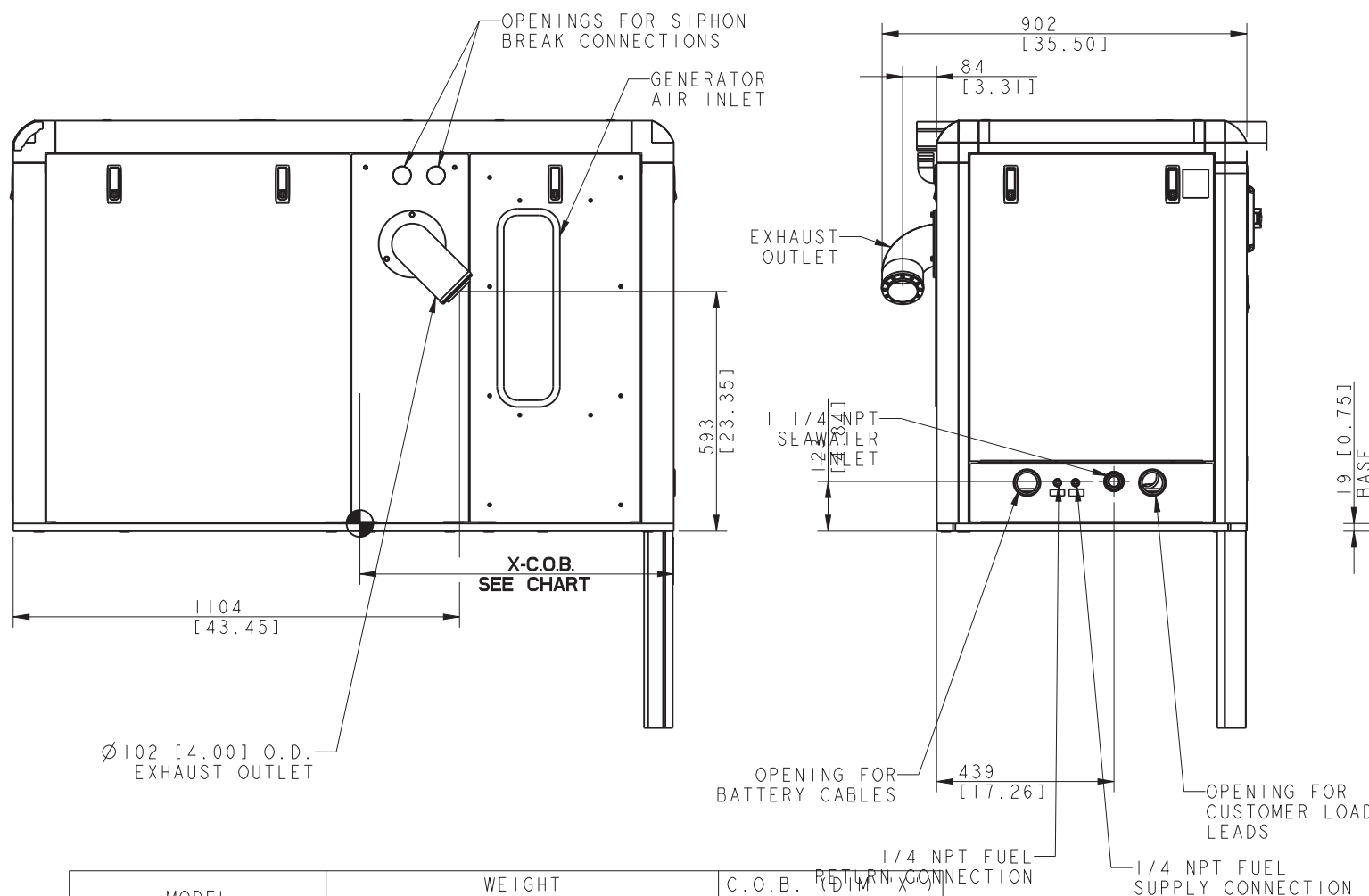


OPTIONAL SIPHON BREAK KIT
SCALE 0.250



MODEL	WEIGHT		C.O.B. RETURN MM [IN]
	WET -KG [LBS]	DRY - KG [LBS]	
40EFOZDJ	1080 [2380]	1052 [2320]	864 [34.00]
50EFOZDJ	1114 [2456]	1087 [2396]	838 [33.00]
55EOZDJ/45EFOZDJ	1070 [2359]	1043 [2299]	853 [33.60]
65EOZDJ/55EFOZDJ	1105 [2435]	1077 [2375]	866 [34.10]

NOTE
C.O.B. DIMENSION IS TAKEN FROM REAR OF SOUND SHIELD.

GENSET MUST BE SUPPORTED UNDER FULL LENGTH OF RAIL WITHIN DIMENSION SHOWN (TYP. BOTH SIDES)
NOTE
DIMENSIONS IN [] ARE INCH EQUIVALENTS.

TIER III
40EFOZDJ
50EFOZDJ
55EOZDJ/45EFOZDJ
65EOZDJ/55EFOZDJ
JOHN DEERE MARINE

REV	DATE	ON COMPOSITE DWGS. SEE PART NO. FOR REVISION LEVEL	BY
-	1-16-13	NEW DRAWING [CT36613]	BTS
A	28APR2020	(A-6,7,8) WEIGHT AND C.O.B. VALUES FOR 55EOZDJ/45EFOZDJ AND 65EOZDJ/55EFOZDJ	TKK
		UPDATED [CT203725]	

UNLESS OTHERWISE SPECIFIED -
1) DIMENSIONS ARE IN MILLIMETERS
2) TOLERANCES ARE:
X.XX ±
X.X ±
X ±
ANGLES ±

THIRD ANGLE PROJECTION

APPROVALS

APPROVED	DATE
JAL	1-16-13

DATE: 1-16-13

CHECKED: DDH

DRAWN: BTS

SCALE: 0.12 CAD NO. SHEET 1 of 1

DWG NO. ADV-8504

KOHLER CO. METRIC PRO-E
POWER SYSTEMS, KOHLER, WI 53044 U.S.A.
THIS DRAWING IN DESIGN AND DETAIL IS KOHLER CO. PROPERTY AND MUST NOT BE USED EXCEPT IN CONNECTION WITH KOHLER CO. WORK. ALL RIGHTS OF DESIGN OR INVENTION ARE RESERVED.

TITLE: DIMENSION PRINT, 55-65KW JD SOUND SHIELD