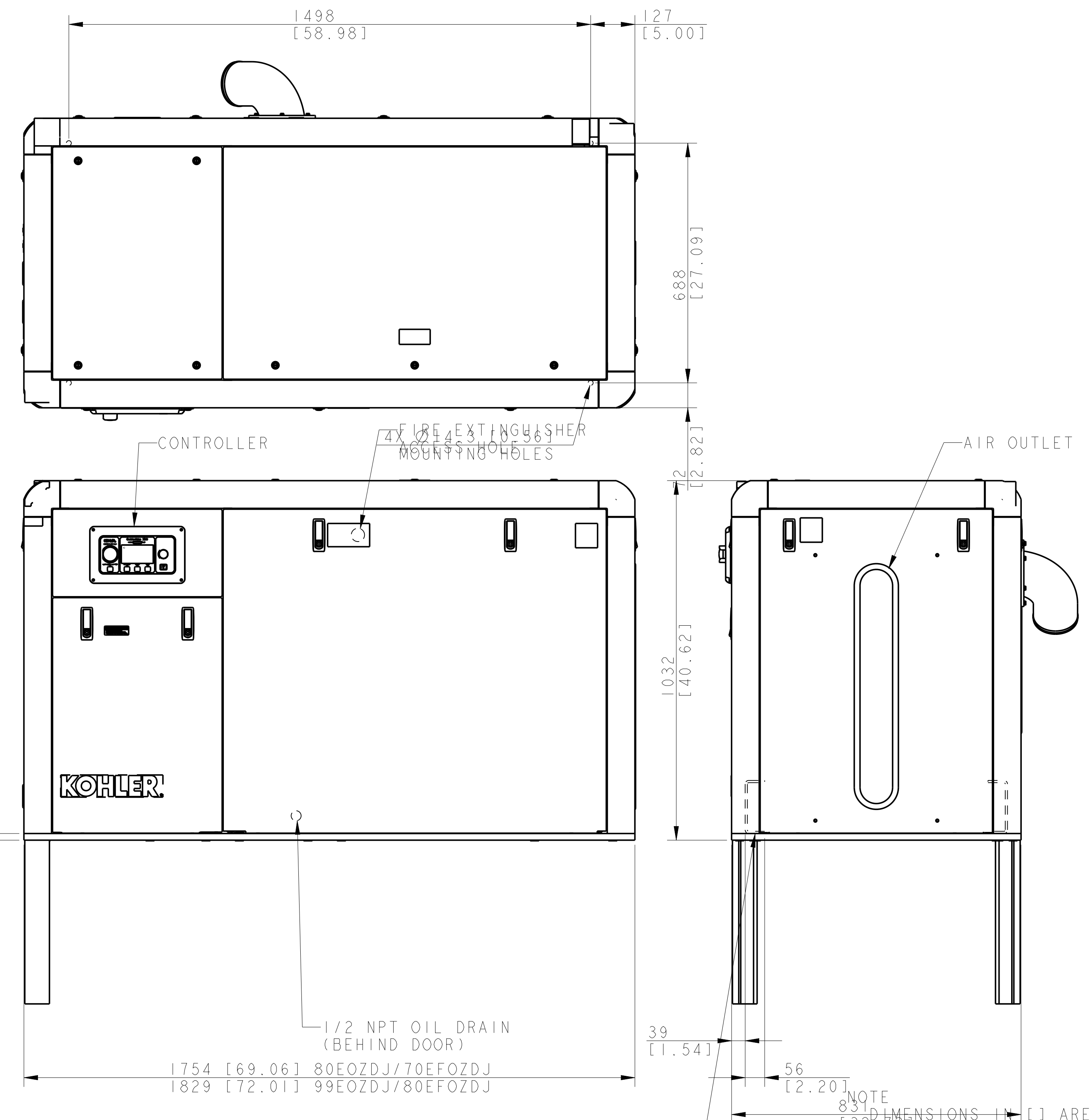
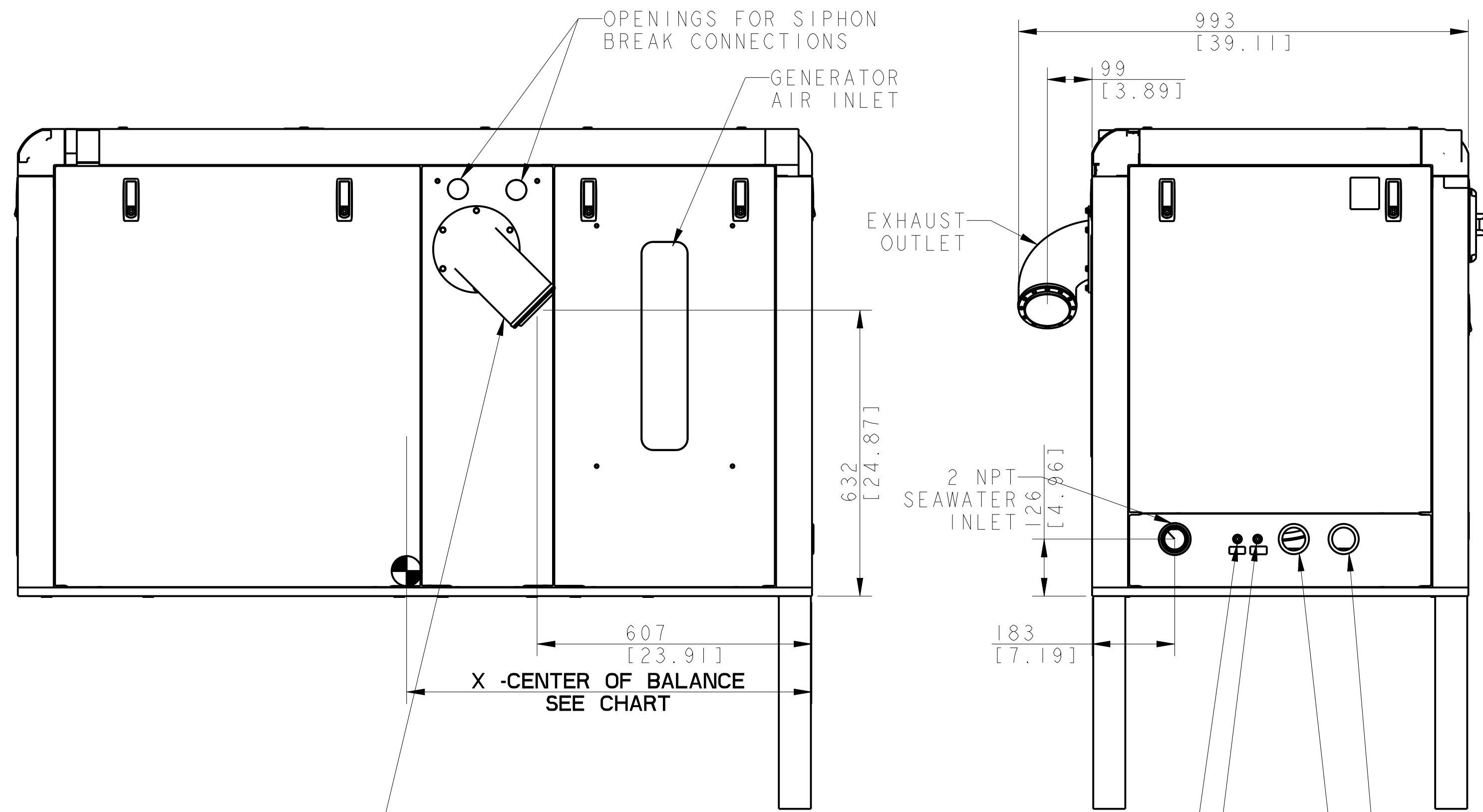
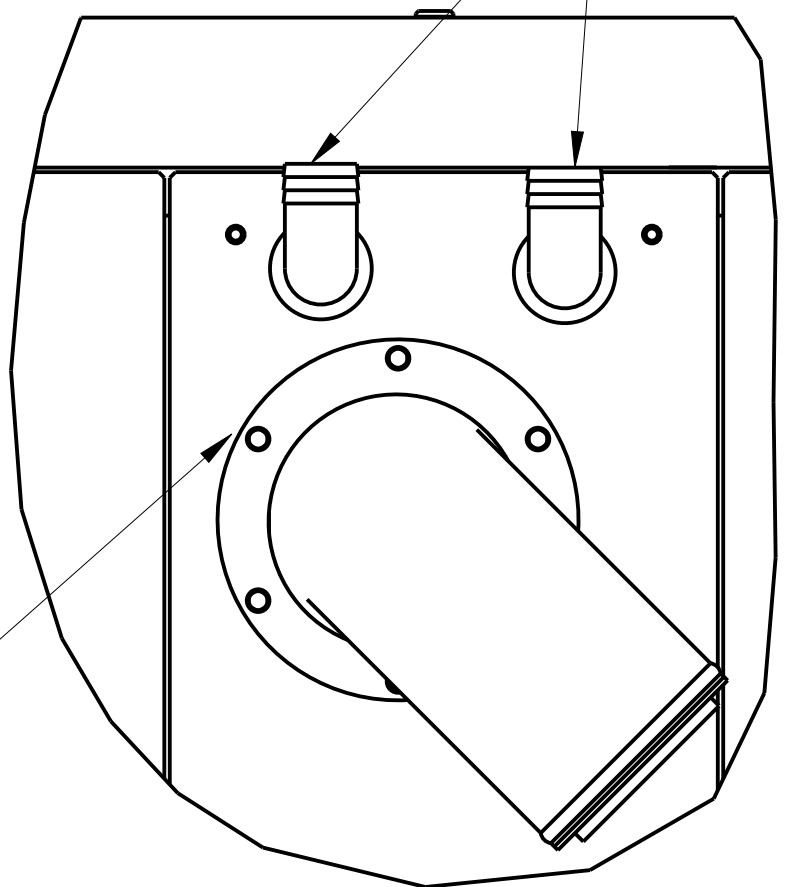


SOUND SHIELD  
EXHAUST PANEL

OPTIONAL SIPHON BREAK KIT  
SCALE 0.250



Ø127 [5.00] O.D.  
EXHAUST OUTLET

X -CENTER OF BALANCE  
SEE CHART

1/4 NPT FUEL  
RETURN CONNECTION

1/4 NPT FUEL  
SUPPLY CONNECTION

OPENING FOR  
CUSTOMER LOAD  
LEADS

OPENING FOR  
BATTERY CABLES

MODEL	WEIGHT		C.O.B. (DIM "X") MM [IN]
	WET -KG [LBS]	DRY - KG [LBS]	
80EOZDJ/70EFOZDJ	1250 [2755]	1213 [2675]	892 [35.10]
99EOZDJ/80EFOZDJ	1336 [2945]	1300 [2865]	911 [35.85]

NOTE  
CENTER OF BALANCE DIMENSION IS  
TAKEN FROM REAR OF SOUND SHIELD.

TIER III  
80EOZDJ/70EFOZDJ  
99EOZDJ/80EFOZDJ  
JOHN DEERE MARINE

REV	DATE	DESCRIPTION	BY
-	1-18-13	NEW DRAWING [CT36613]	BTS
A	4-14-14	(A-8) Ø127 [5.00] O.D. EXHAUST OUTLET WAS Ø102 [4.00]; (B-6) 632 [24.87] WAS 652 [25.67]; (B-7) 607 [23.91] WAS 628 [24.71]; (C-5) 993 [39.11] WAS 949 [37.38]; (C-6) 99 [3.89] WAS 68 [2.66]; (A-6) WEIGHTS & C.O.B. ADDED FOR 99EOZDJ/80EFOZDJ [CT77162]	DDH
B	01MAY2020	(A-5,6,7) WEIGHT AND C.O.B. VALUES UPDATED [CT203725]	TKK

UNLESS OTHERWISE SPECIFIED -  
1) DIMENSIONS ARE IN MILLIMETERS  
2) TOLERANCES ARE:  
X.XX ±  
X.X ±  
X ±  
ANGLES ±

THIRD ANGLE PROJECTION

APPROVALS

DATE	DATE
BTS 1-18-13	BTS 1-18-13
DDH 1-18-13	DDH 1-18-13
JAL 1-18-13	JAL 1-18-13

**KOHLER CO.** METRIC PRO-E  
POWER SYSTEMS, KOHLER, WI 53044 U.S.A.  
THIS DRAWING IN DESIGN AND DETAIL IS KOHLER CO. PROPERTY AND MUST NOT BE USED EXCEPT IN CONNECTION WITH KOHLER CO. WORK. ALL RIGHTS OF DESIGN OR INVENTION ARE RESERVED.

TITLE  
**DIMENSION PRINT, 80-99KW JD SOUND SHIELD**

SCALE 0.12 CAD NO. SHEET 1 of 1  
DWG NO. **ADV-8507**

GENSET MUST BE SUPPORTED  
UNDER FULL LENGTH OF RAIL  
WITHIN DIMENSION SHOWN

NOTE  
DIMENSIONS IN [ ] ARE  
INCH EQUIVALENTS.