

CZONE APP

Quick Start Guide



Please note: The Wireless Interface may be referred to as the WI throughout this booklet.

DOWNLOAD THE CZONE™ APP FROM THE APP STORE:

From the App Store search for the keywords: 'Mastervolt' or 'CZone' then download the app to your iPad.

CONNECT YOUR IPAD TO THE WI-FI:

On your iPad navigate to Settings > Wi-Fi and select the name of your WI from the list of available networks. Use the password details supplied on the label below or on your Wireless Interface box.

INITIAL SETUP OF THE CZONE SERVER CONNECTION:

Once the CZone App has downloaded the CZone app icon will appear on your iPad home screen. Press the icon to launch the CZone app.



The first time you open the CZone App you will see the following screen which shows the connected WiFi network and the WI server IP address. Enter the user name and password to allow the app to access the CZone Server and press Connect. (This information will be provided on the sticker provided below, if you do not have this please contact your boat builder or dealer).

This documentation should go with the vessel before it is supplied to the customer.

Server connection details

WiFi: **Wi Module**

Server: 10.192.0.126

You will see the screen 'checking password'.

Server connection details

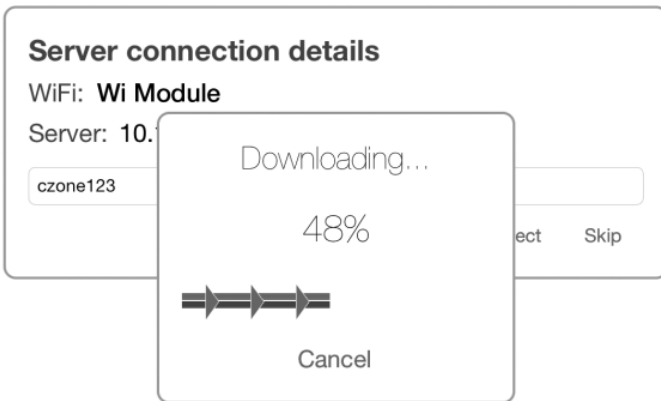
WiFi: **Wi Module**

Server: 10.

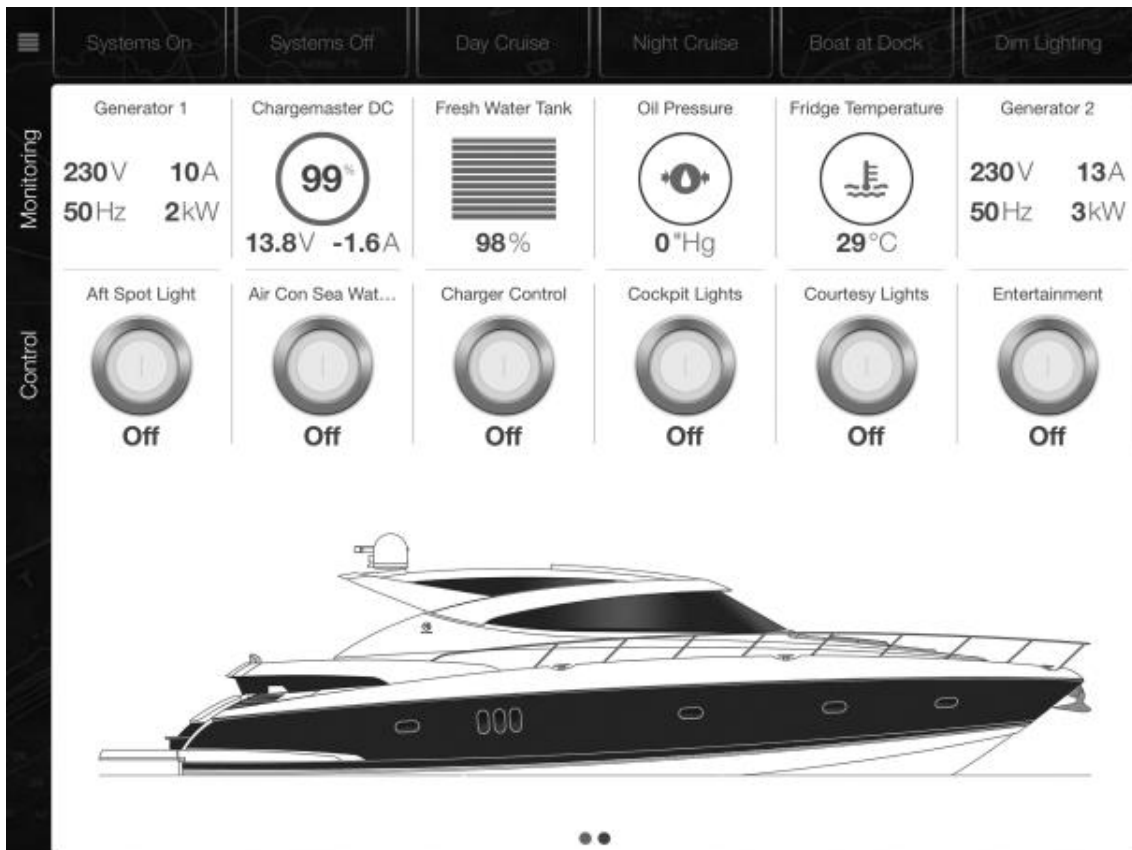
Checking password...

Place Server Connection details label here

If password is successful the Wireless Package will begin downloading.

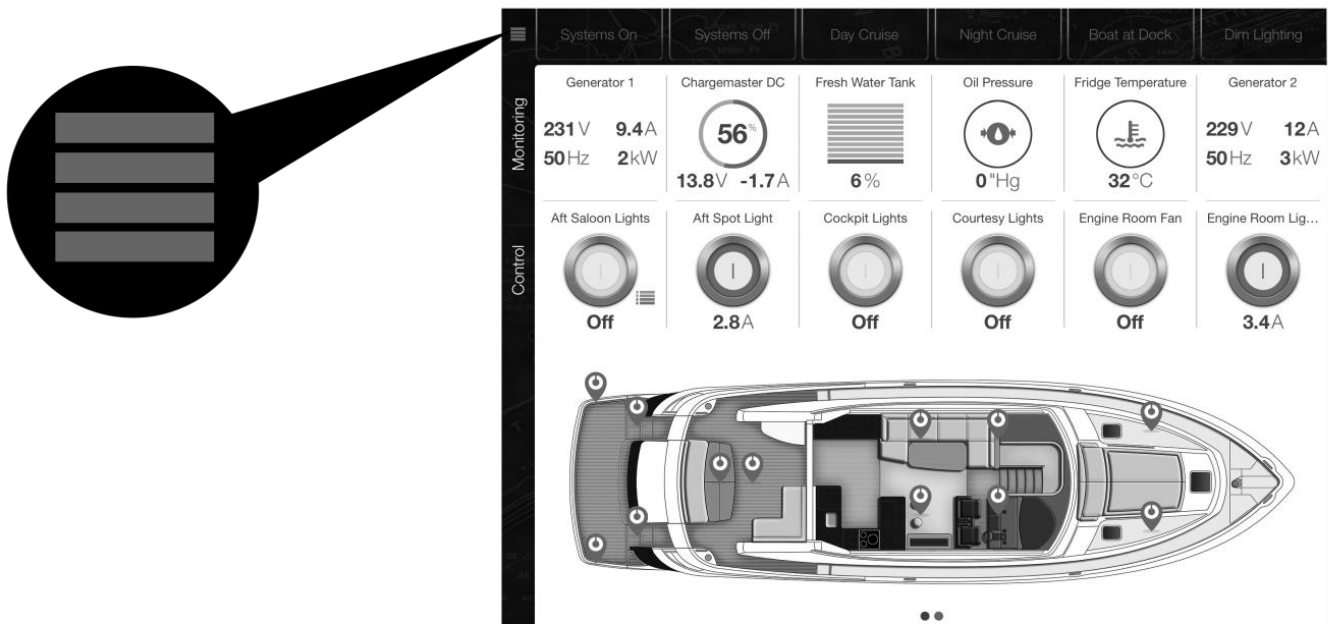


When downloading is complete your configured home page will be show as per the example below.

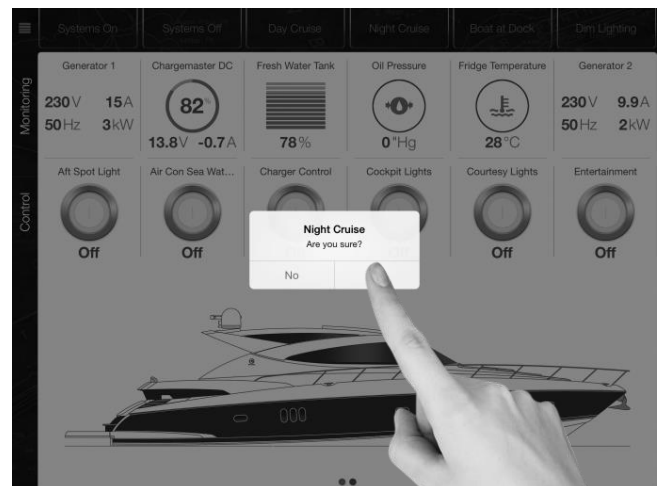
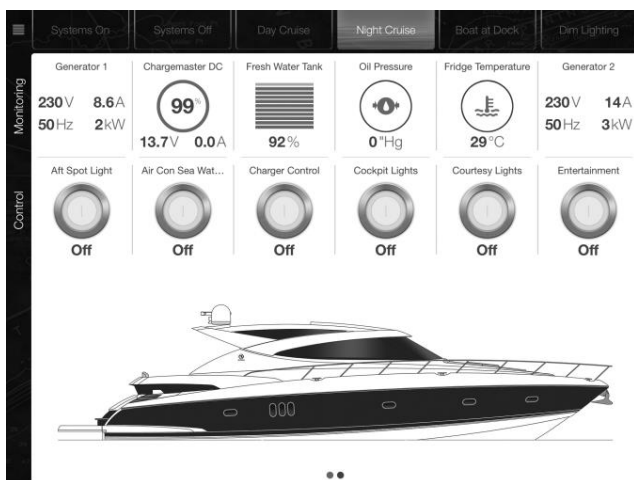


THE HOME PAGE:

The home page layout is setup by the boat builder to provide control, monitoring and system information, all from a single page. Tap the 'Menu' button from any other page to return to the home page.

**HOME PAGE MODES:**

Modes are the direct control of operational groups of circuits, including lighting, electronics and pumps. The modes are configured by the boat builder, documentation outlining these modes and what they do should be supplied with the boat.



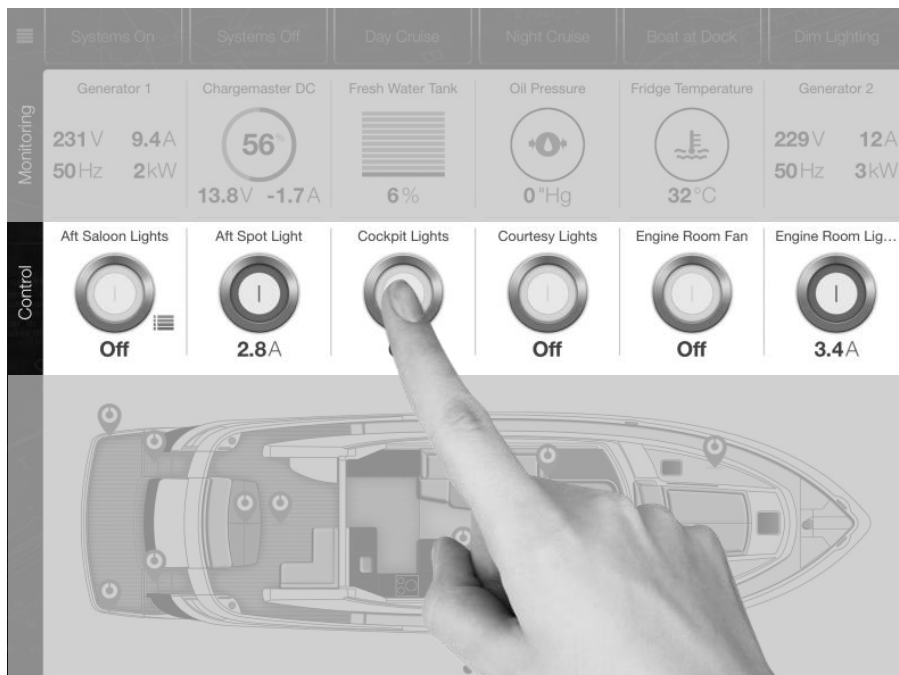
Change the operational mode by simply tapping one of the mode buttons listed across the top of the page. A dialog box will appear asking you if you are sure? Press yes to confirm or no to abort.

HOME PAGE – MONITORING:

The scrollable monitoring view show configured DC, AC, Tank Level, Temperature, and Pressure information.

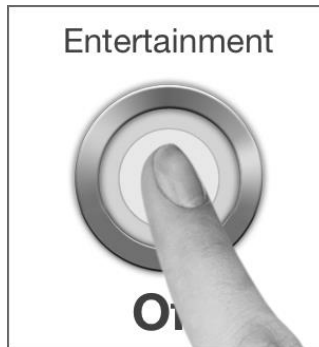
**HOME PAGE – CONTROL:**

The scrollable control view shows a list of circuits associated with the boat view image currently being displayed.

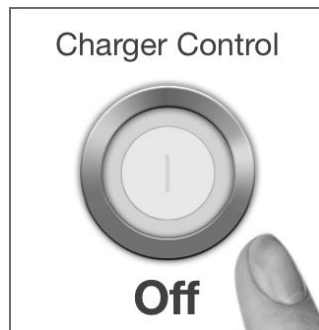


NON CRITICAL CONTROL:

Non critical circuits can be controlled directly. The view will display systems on status, current and level if appropriate. The view will also display an on/off button controllable by the user.

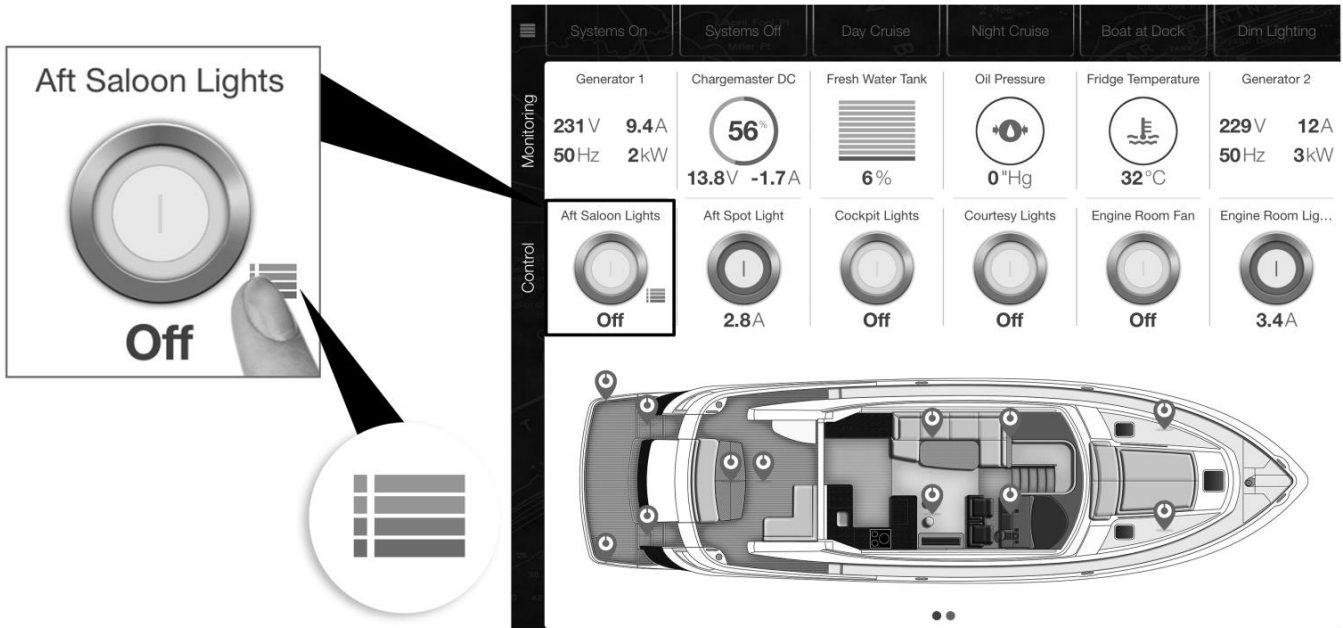


Tapping within a control view but to the side of the button as per below, will bring up a pop up showing further information about the control. From here you can turn the circuit on and off or remove from your favorites.



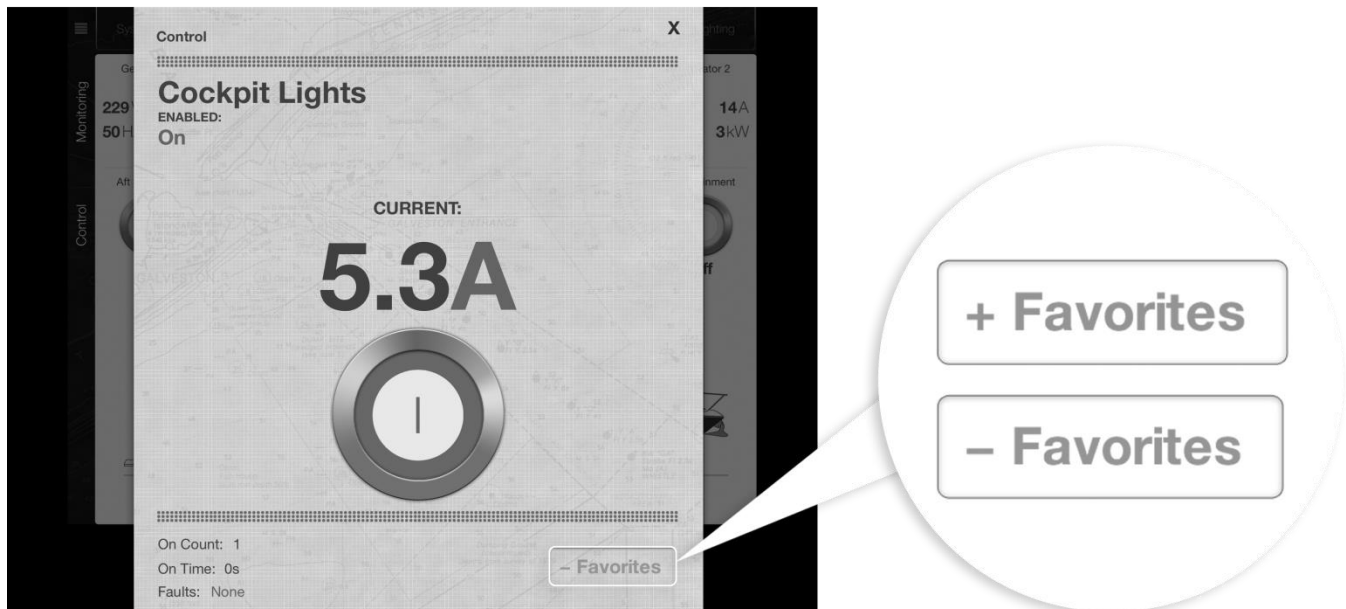
CRITICAL CONTROL:

To turn a critical circuit on, tap the button as highlighted below to bring up the circuit pop control as per above. From there you can safely turn the circuit on and off. The view will display systems on status, current and level if appropriate. If the circuit is an AC circuit it will show an indication if AC source is available or not.



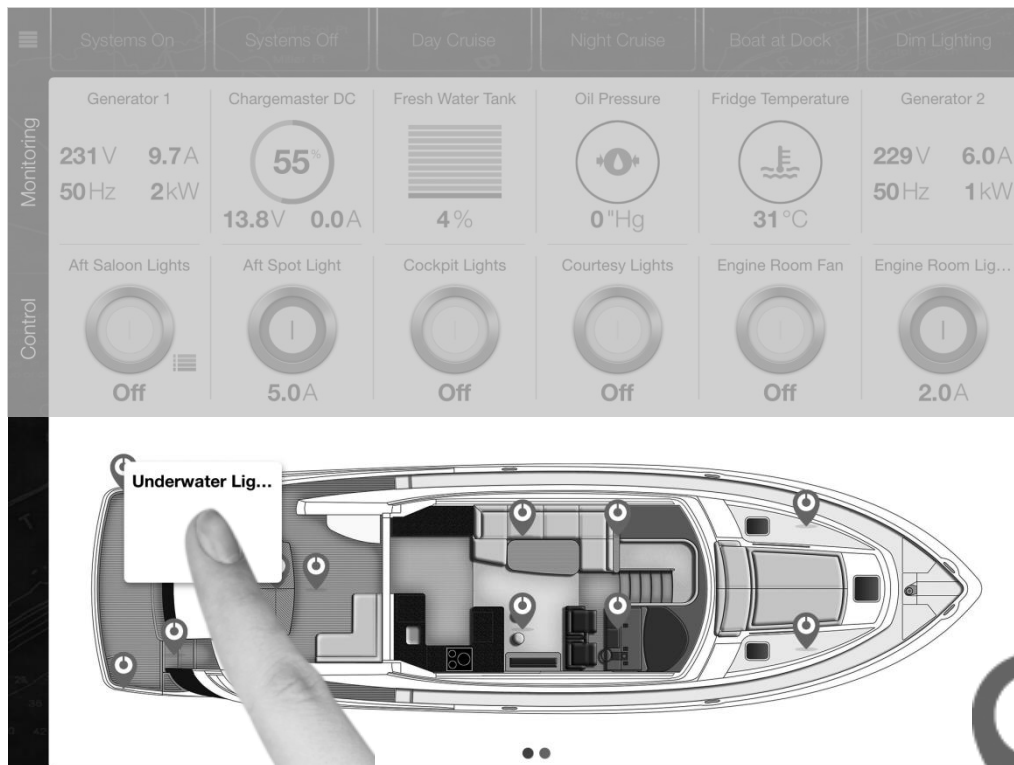
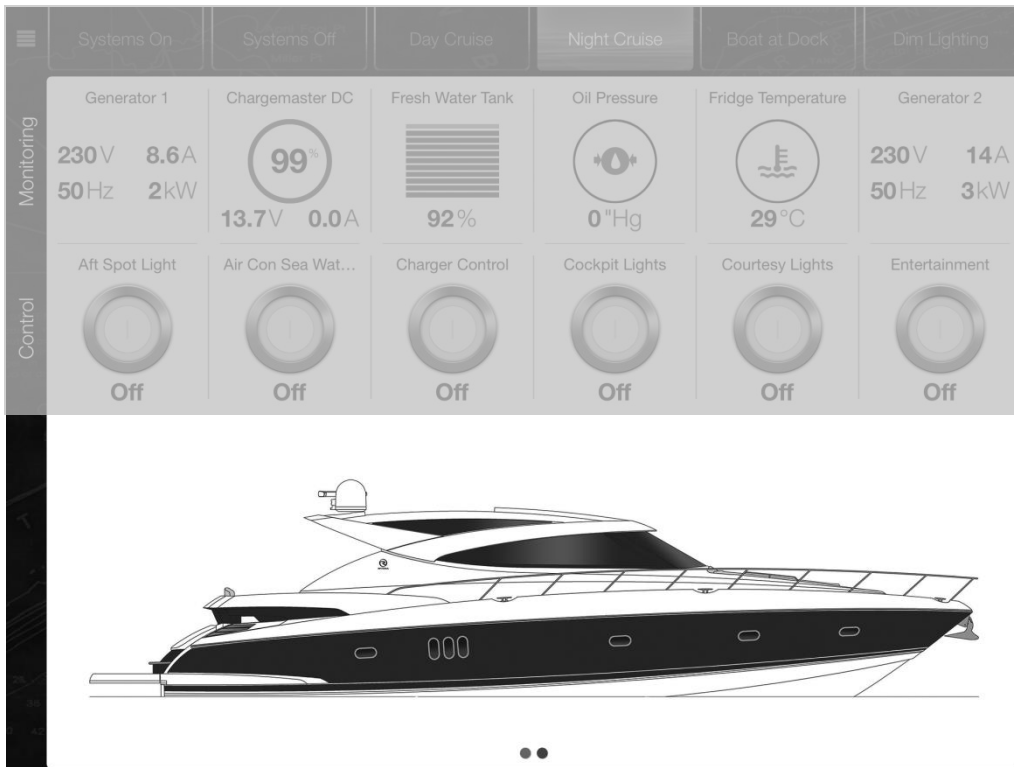
ADDING/REMOVING FAVORITES TO THE HOME PAGE:

The pop-up views for Individual items within the Modes, Control and Monitoring menu can be removed from the home page. Tap the '-Favorites' button to remove the circuit from the Home Page. To add a favorite go to Menu > Modes > Control > press the circuit to bring up the pop up and press '+Favorites' to add it to your Home Page. Control Items will be added to the end of the control listing for the current boat view.



HOME PAGE – BOAT VIEW:

The scrollable boat view shows various projections of the boat, circuit status icons (blue) shown for associated circuit loads and alarms, when active. If a circuit status icon is tapped, the appropriate control popover will display. The Home Page Control Favourites will dynamically display controls for the current boat image. If the user taps the boat image, the Control Favourites will dynamically display controls that are relevant for the boat image.



circuit status icons (blue)

ALARM STATUS ICONS:

Alarms can be configured to display on the boat view. The icon colour corresponds to the alarm severity. Tapping the alarm brings up the alarm pop up which display more information.



Alarm status icons

Severity Colours:

Critical: Red

Important: Orange

Standard: Yellow

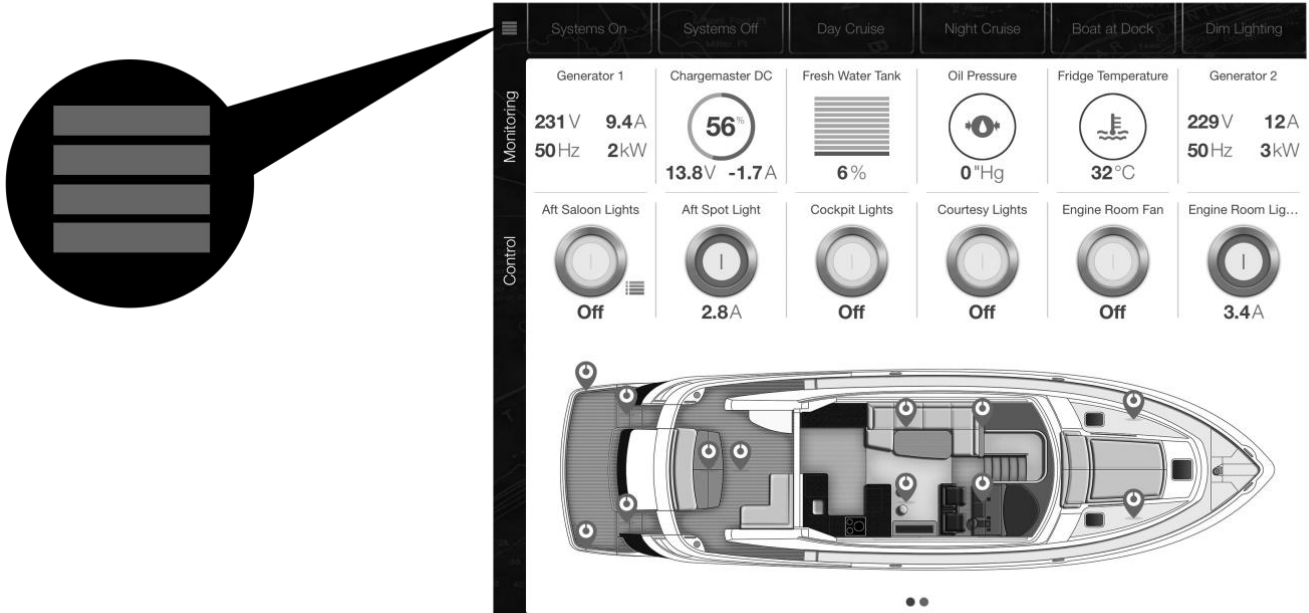
Warning: Blue



Important: Alarms in the CZone App will only activate when the App is open, not when the App is closed or running in the background. Do not rely on the CZone App as the sole device for alarm monitoring.

THE MENU:

Tapping the menu button in the top left-hand corner of the app will bring up the Menu:



You can access the full list of modes, control and monitoring items from here

