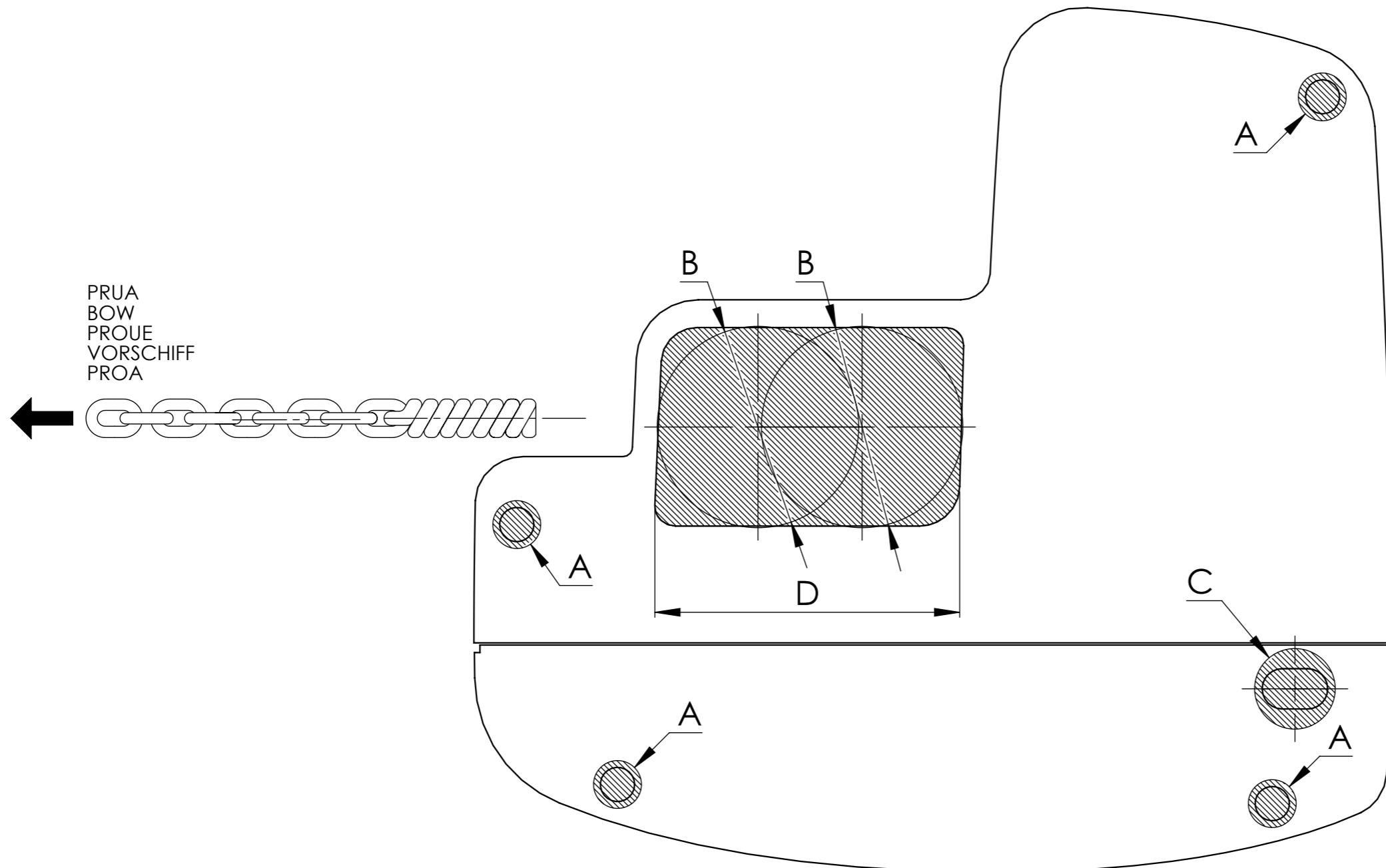
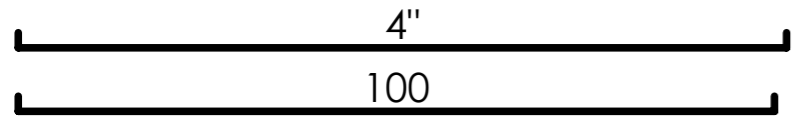


# GP2 1200



PRUA  
BOW  
PROUE  
VORSCHIFF  
PROA

	mm	inch
A	9	3/8"
B	40	1" 9/16
C	16	5/8"
D	60	2" 3/8



Via Piangipane 120/A - 48124 Piagipane (Ra)  
Tel. +39.0544.415061 - Fax +39.0544.415047  
www.quickitaly.com  
E-mail: quick@quickitaly.com

This is an unpublished work the copyright in which rest in Quick S.r.l. All this document and its information is supplied without liability for error or party may be reproduced used or disclosed except as authorized by contract or permission.

Descrizione / Description  
**DRILLING TEMPLATE**

Formato / Size <b>A3</b>		Data / Date 30/11/2015
Scala / Scale 1:1	U.M. / M.U. mm	Foglio N° 1:1

Disegnato da / Drawn by

Approvato da / Checked by

Evitare di rilevare le quote dal disegno / avoid obtaining measures from the drawing