

MARINCO®

**Wiper Motor Windshield Frame Mount
Marinco-500**

Installation Instructions

Wiper Motor Windshield Frame Mount

Marinco-500

Tools (Not Included):

- Phillips head screwdriver
- 17 mm or small adjustable wrench
- Small flat blade screwdriver
- 3 Amp fuse and fuse carrier
- #8 self-tapping screw (1)
- On/Off Switch (if new installation]
- Drill
- 16 gauge stranded wire
- 9/16" drill bit
- 3/16" female Quick-connect tabs (2-3)
- 9/64" drill bit
- Crimping/Cutting pliers

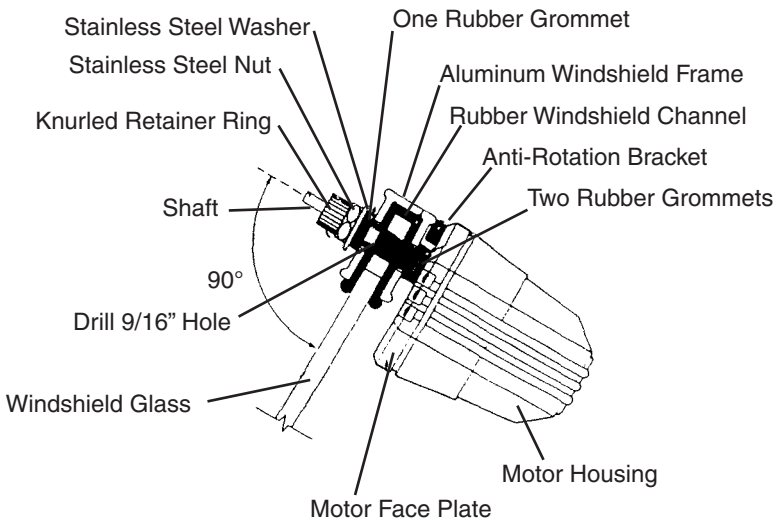
Please read through all instructions prior to assembly

Installation Instructions

Installation:

Note: This wiper motor is intended for use with wiper arm/blade combinations no larger than 14" x 14".

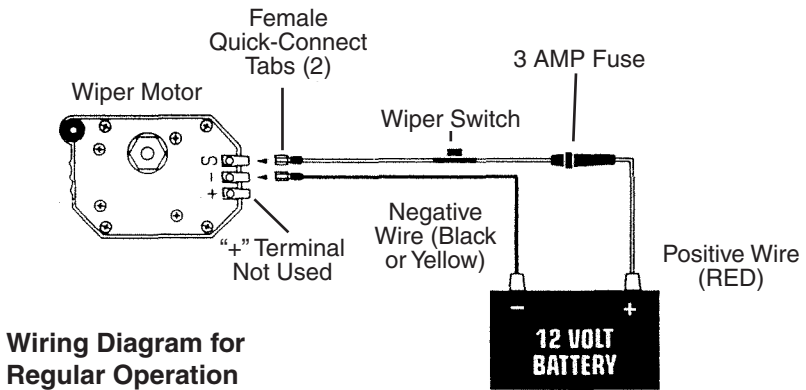
- 1) This wiper motor can be mounted above or below the windshield. Make sure that the installation location you have selected will provide ample clearance for the sweep of the wiper blade and arm. For optimum performance, mount the wiper motor shaft at a 90° angle to the windshield. This will minimize strain on the wiper motor.
- 2) Drill the shaft mounting hole in the location you have selected. Use a 9/16" drill for the 1/2" diameter shaft.
- 3) Remove the knurled retainer ring, stainless steel nut and washer and one of the three rubber grommets from the shaft. Mount the motor in the windshield frame with two of the grommets on the inside of the frame. Place the third grommet over the shaft on the outside of the frame followed by the washer and nut. Use a 17 mm or small adjustable wrench to tighten the nut snugly. Do not over-tighten. Install the knurled retainer ring. Be sure the rubber grommets are on both sides of the frame.
- 4) Mark the desired hole position of the anti-rotation bracket and drill a 9/64" hole. Use a #8 self-tapping screw (not provided) to attach to most aluminum frames.



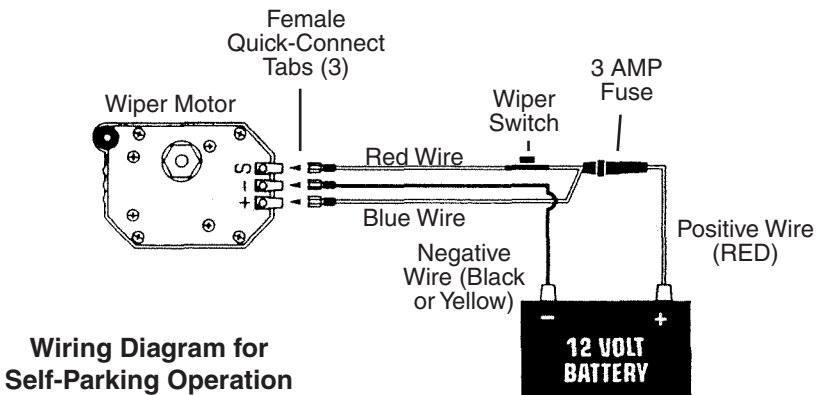
Wiper Motor Windshield Frame Mount Marinco-500

Wiring:

This motor has three connections. Negative (-), positive (+), and switch (S) marked on the side of the motor housing. Use black or yellow wire for the negative connection. Blue wire for the positive connection and red wire for the switch connection. 16 gauge stranded wire is recommended. This motor can be wired for regular operation or self-parking operation. Refer to the wiring diagram for proper installation. We strongly recommend that a 3 amp fuse be used to insure safe and reliable operation.



Wiring Diagram for Regular Operation

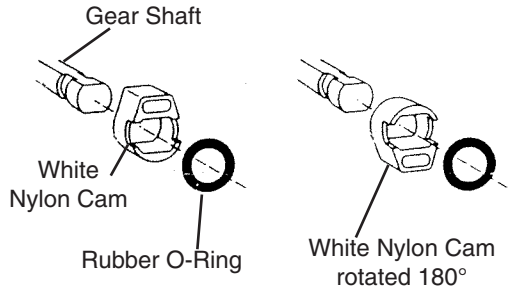
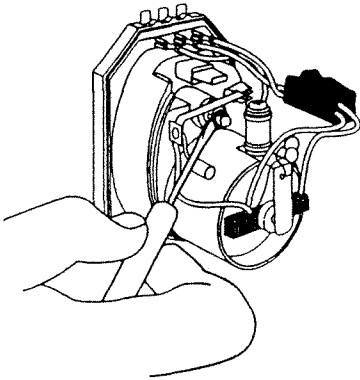
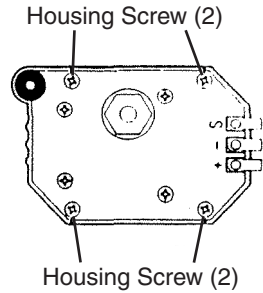


Wiring Diagram for Self-Parking Operation

Installation Instructions

Changing the Park Position

- 1) Use a Phillips head screwdriver to remove the 4 motor housing screws located at the corners of the wiper motor face plate. Be careful not to lose any of the motor housing screw sealing a-rings. Pull off the motor housing.
- 2) Use a small flat blade screwdriver to carefully remove the o-ring and white nylon cam from the gear shaft. Rotate the white cam 180° from the original position and reinstall it back onto the gear shaft. Be sure that the cam is pushed all the way back onto the gear shaft and the o-ring is properly seated in place.



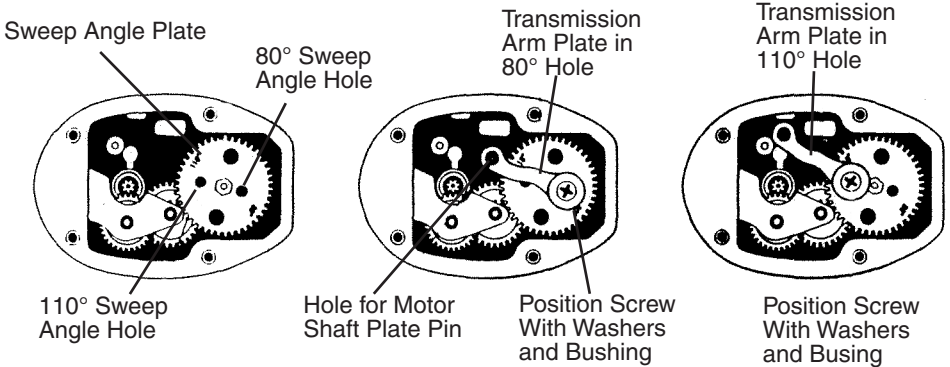
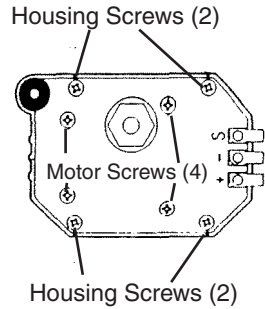
- 3) Re-install the motor housing back onto the motor. Replace the 4 Phillips head motor housing screws and housing screw sealing a-rings. Do not over-tighten the screws.

Wiper Motor Windshield Frame Mount

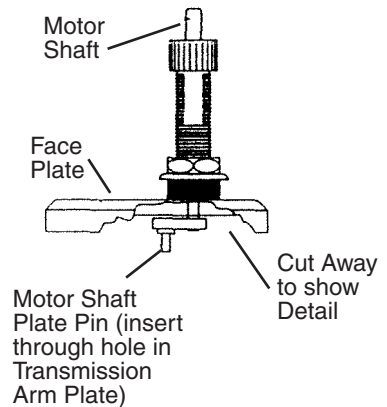
Marinco-500

Changing The Wiping Angle:

- 1) Use a Phillips head screwdriver to remove the 4 wiper motor housing screws and a-ring seals. Pull off the motor housing.
- 2) Remove the 4 motor screws and separate the face plate from the motor by pulling straight up on the wiper motor shaft. Be careful not to lose the sealing o-rings on the motor and housing screws.
- 3) Use a Phillips head screwdriver to remove the position screw from the transmission arm plate. Be careful not to lose the position screw bushing and washers.



- 4) Relocate the transmission arm plate to the desired sweep angle hole on the round sweep angle plate. The sweep angles are stamped onto the sweep angle plate. Re-install the transmission arm plate on to the sweep angle plate with the position screw. Be sure the position screw bushing is installed inside the transmission arm plate and washers are on both sides of the transmission arm plate. Do not over-tighten the position screw.
- 5) Insert the wiper motor shaft plate pin back into the hole on the end of the transmission arm plate. It may be necessary to rotate the motor shaft to get the pin to properly align in the transmission arm plate.
- 6) Re-attach the wiper motor face plate to the motor body with the 4 Phillips head motor screws and sealing a-rings. Re-install the motor housing onto the face plate with the 4 Phillips head housing screws and sealing o-rings. Do not over-tighten the screws.



Installation Instructions

Note: After changing the wiping angle, the wiper motor parking position will automatically change to the opposite Side. If necessary, readjust the parking position as described In the “Changing Parking Position” instructions.

Troubleshooting:

If motor does not operate, double check wiring connections and 3A fuse.

Warranty information: www.marinco.com/limited-warranty

MARINCO®

www.marinco.com | 800.307.6702