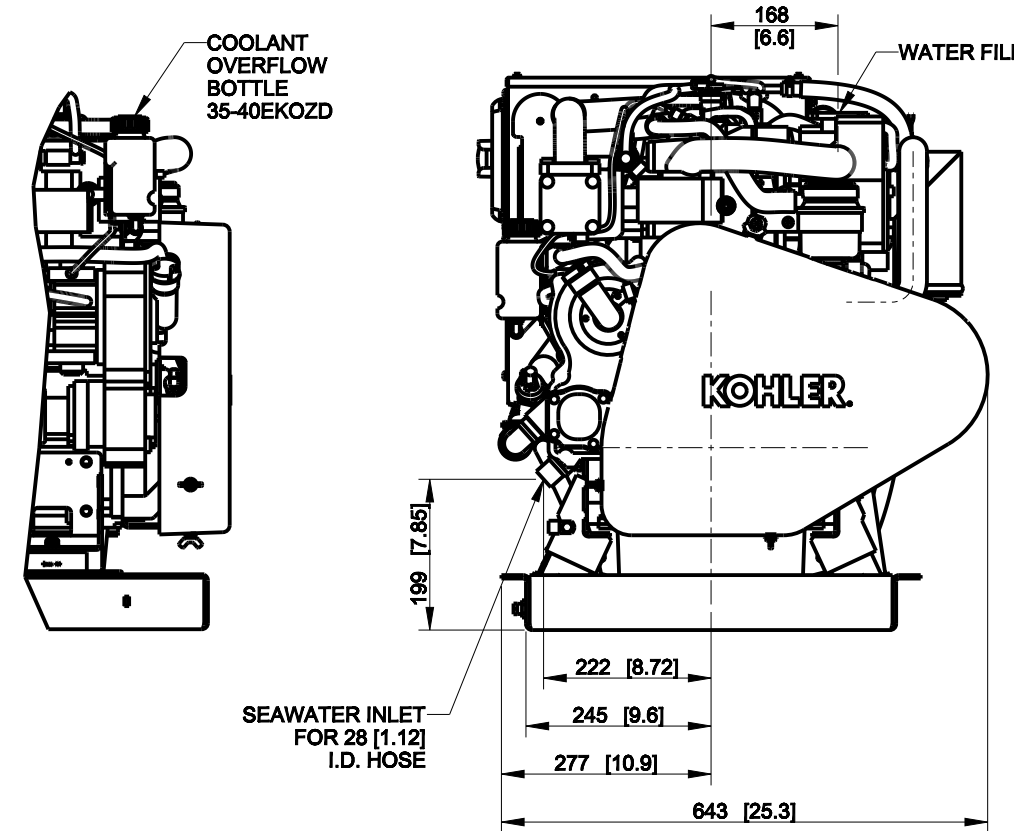
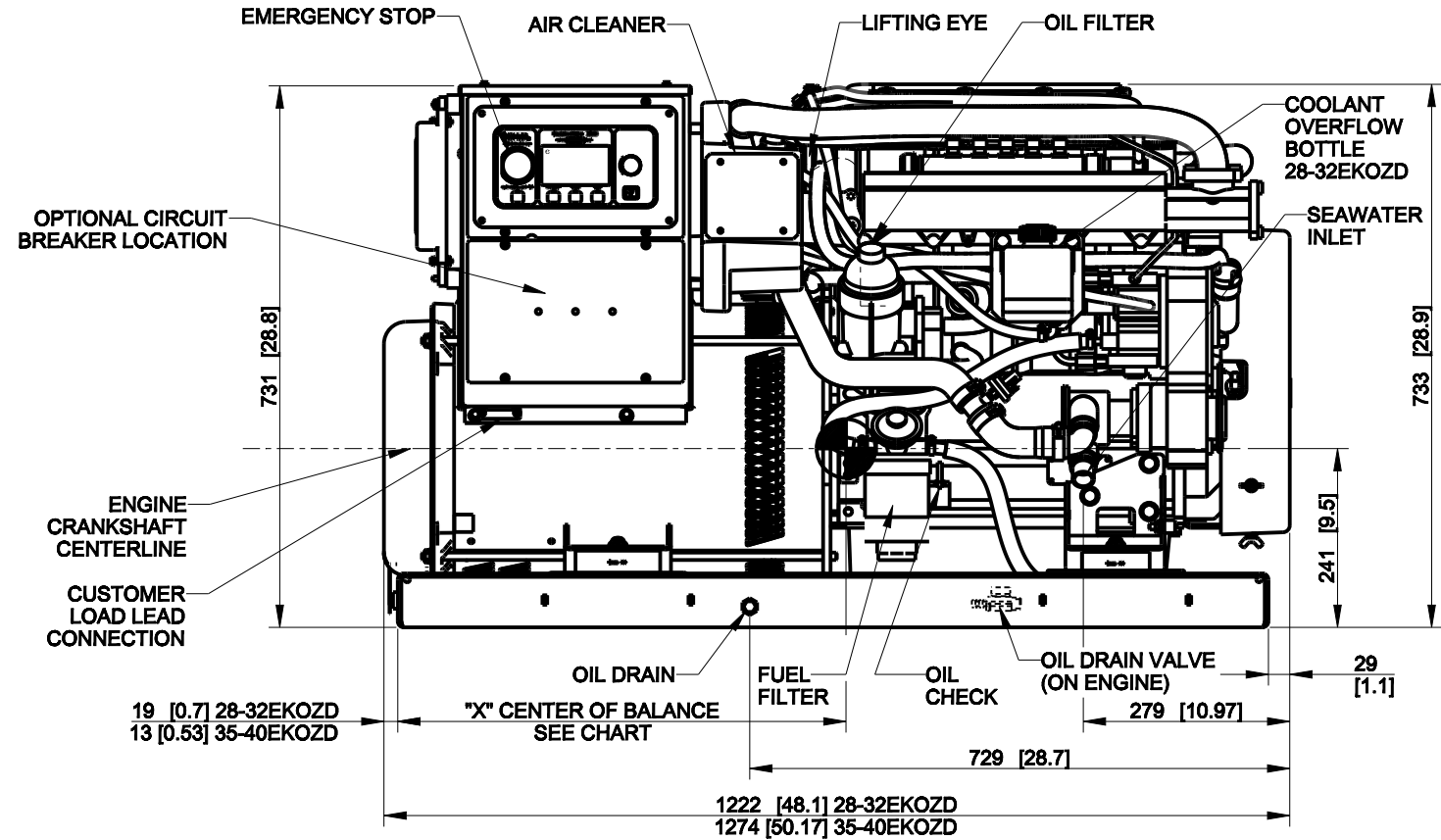


MODEL	WEIGHT		C.O.B. (DIM "X")
	WET -KG [LBS]	DRY - KG [LBS]	MM [IN.]
28EFKOZD/32EKOZD	531 [1170]	514 [1134]	591 [23.25]
35EFKOZD/40EKOZD	567 [1250]	551 [1214]	629 [24.75]

NOTE: C.O.B. DIMENSION IS TAKEN FROM REAR OF DRIP TRAY.



NOTE: DIMENSIONS IN [] ARE INCH EQUIVALENTS.

REV	DATE	CHANGE NUMBER	ON COMPOSITE DWGS, SEE PART NO. FOR REVISION LEVEL □ INDICATES PART NUMBERS AFFECTED BY LATEST DRAWING REVISION	BY
-	26MAY2022	CT219998	NEW DRAWING	RVM

UNLESS OTHERWISE SPECIFIED:
ALL DIMENSIONS IN MILLIMETERS
GENERAL TOLERANCES:
X.XX ± 0.25
X.X ± 1.0
X ± 1.5
ANGLES ± 0°30'

SURFACE FINISH
✓ MAX.

THIRD ANGLE PROJECTION

MAJOR ○ = 0
CRITICAL ⊙ = 0
CHARACTERISTICS COMPLY WITH
KPS-50022

DRAWN BY RVM DATE: 26MAY2022
APPROVED BY LAC

DO NOT SCALE.
THIS ASSEMBLY OR PART MUST COMPLY WITH PEP-RML-001.
REFERENCE CAD MODEL FOR UNSPECIFIED DIMENSIONS.

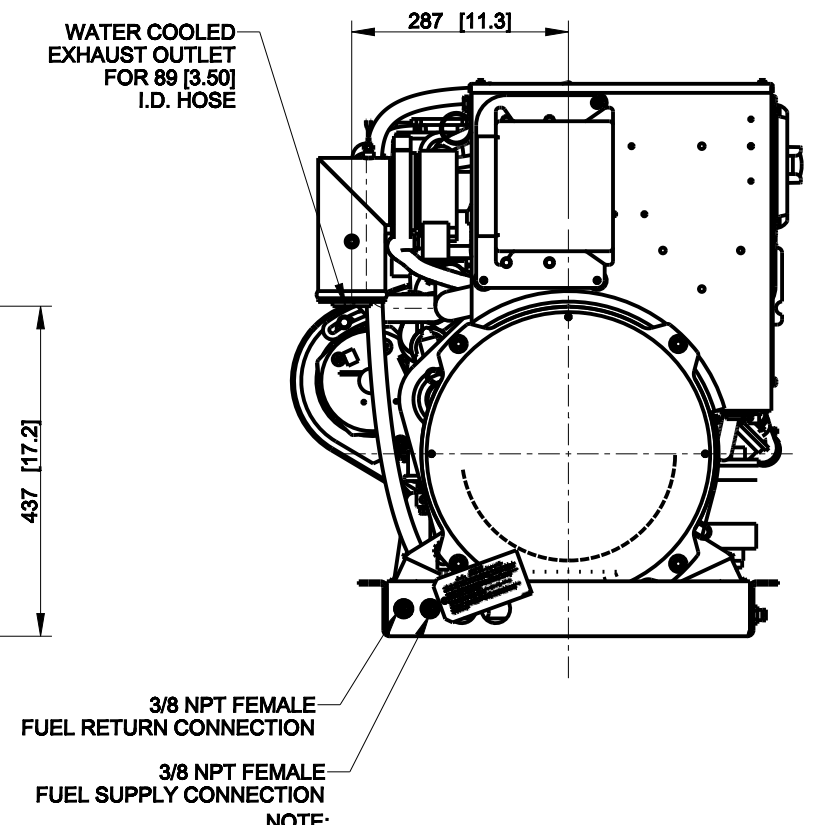
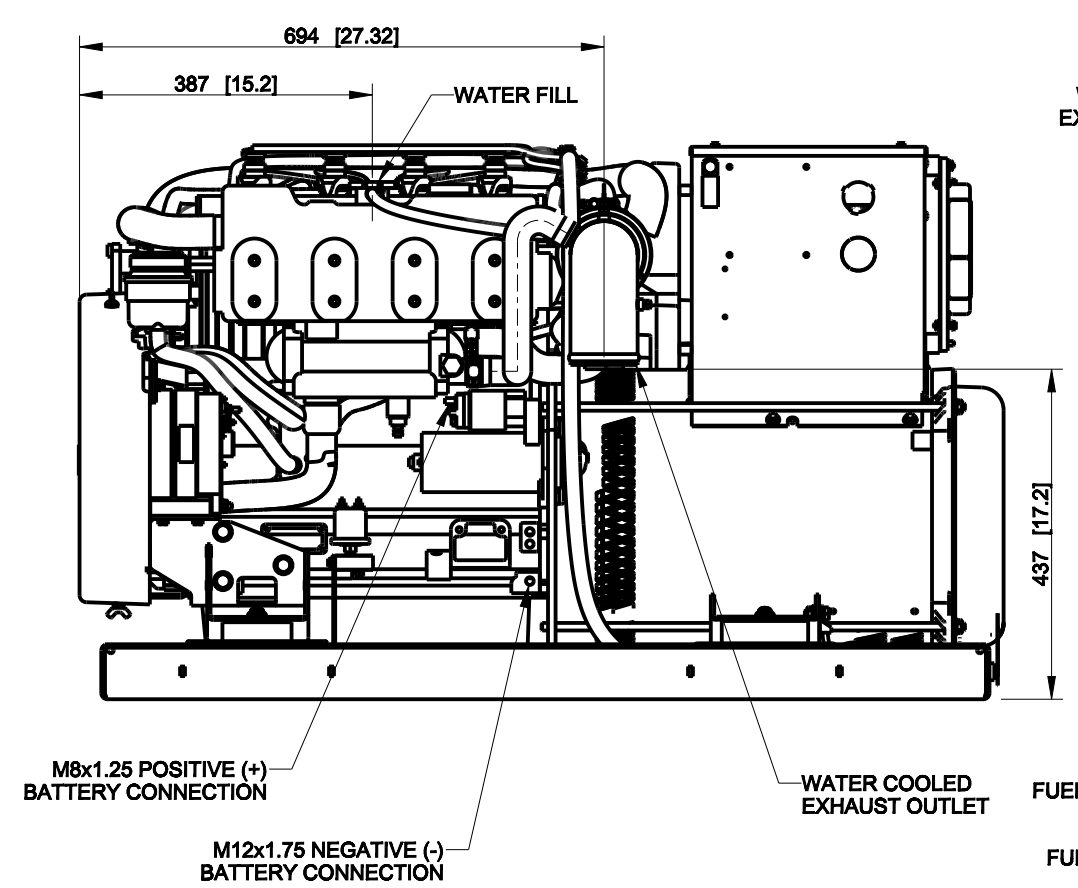
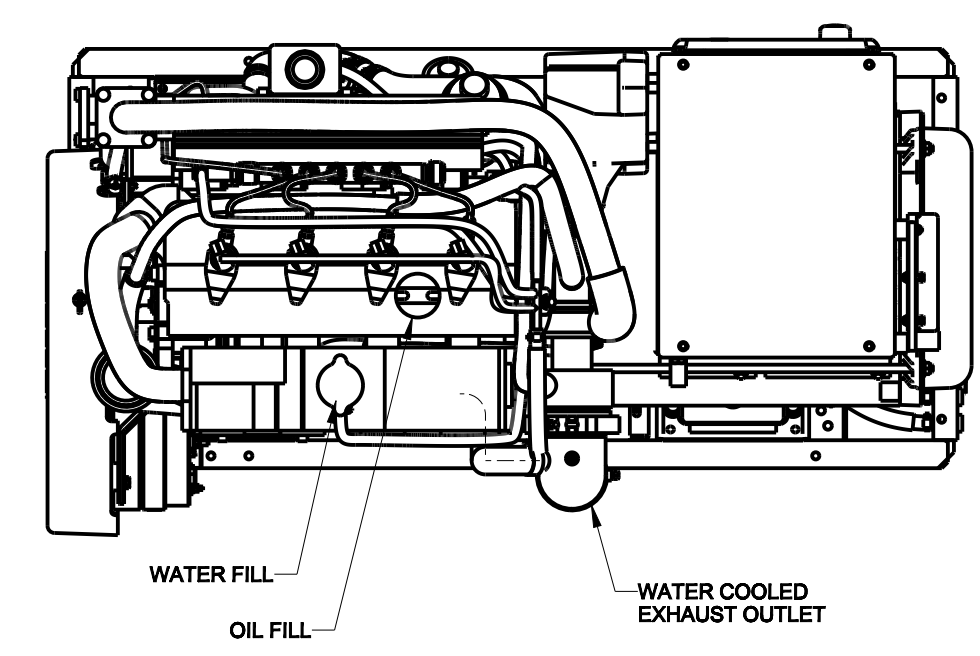
KOHLER.
KOHLER, WISCONSIN 53044

SCALE: 0.100 SHEET SIZE: B SHEET 1 OF 2

TITLE:
**DIMENSION PRINT, 28-40
KW KDI MARINE**

DWG NO.: **ADV-9908**

28EFKOZD/32EKOZD
35EFKOZD/40EKOZD
KOHLER DIESEL MARINE



NOTE:
FUEL SYSTEM MATERIAL SELECTION IS CRITICAL. SEE TP-7045 FOR MATERIAL REQUIREMENTS.

REV	DATE	CHANGE NUMBER	ON COMPOSITE DWGS, SEE PART NO. FOR REVISION LEVEL □ INDICATES PART NUMBERS AFFECTED BY LATEST DRAWING REVISION	BY
-	26MAY2022	CT219998	NEW DRAWING	RVM

UNLESS OTHERWISE SPECIFIED:
ALL DIMENSIONS IN MILLIMETERS
GENERAL TOLERANCES:
XX ± 0.25
X.X ± 1.0
X ± 1.5
ANGLES ± 0°30'

THIRD ANGLE PROJECTION

MAJOR ○ = 0
CRITICAL ⊗ = 0
CHARACTERISTICS COMPLY WITH KPS-50022

DRAWN BY RVM DATE: 26MAY2022
APPROVED BY LAC

DO NOT SCALE.
THIS ASSEMBLY OR PART MUST COMPLY WITH PEP-RML-001. REFERENCE CAD MODEL FOR UNSPECIFIED DIMENSIONS.

KOHLER.
KOHLER, WISCONSIN 53044

SCALE: 0.100 SHEET SIZE: B SHEET 2 OF 2

TITLE:
DIMENSION PRINT, 28-40 KW KDI MARINE

DWG NO.: **ADV-9908**