



CT Series 2000/2500



Our CT Series cranes are built for heavy duty yacht functionality. They have four function hydraulic cranes with live telescoping boom extension and proportional controls.

APPLICATION

Heavy Duty Yacht, Light Commercial

STANDARD FEATURES

- Infinite 360° Power Rotation
- Low Profile Design
- Smooth Quiet Operation
- Power Extending 6061 Aluminum Boom with Internal Linear Winch
- ALEXSEAL Yacht Coating
- Amsteel Blue™ Synthetic Rope
- Proof Tested to 125% Capacity
- Proportional Wireless Controls

OPTIONAL FEATURES

- Wired Control
- 24V HPU, 230V Power Units Available
- Custom Reaches Available

MOUNTING OPTIONS

- Standpipe
- Round Base
- Square Base



ISO 9001:2008



**PROUDLY MADE IN
NORTH AMERICA**



**STEELHEAD
MARINE**

43676 Progress Way, Chilliwack, BC V2R 0C3
604.607.0091 | **Toll Free:** 1.800.770.0455
info@advantecglobal.com | steelheadmarine.net

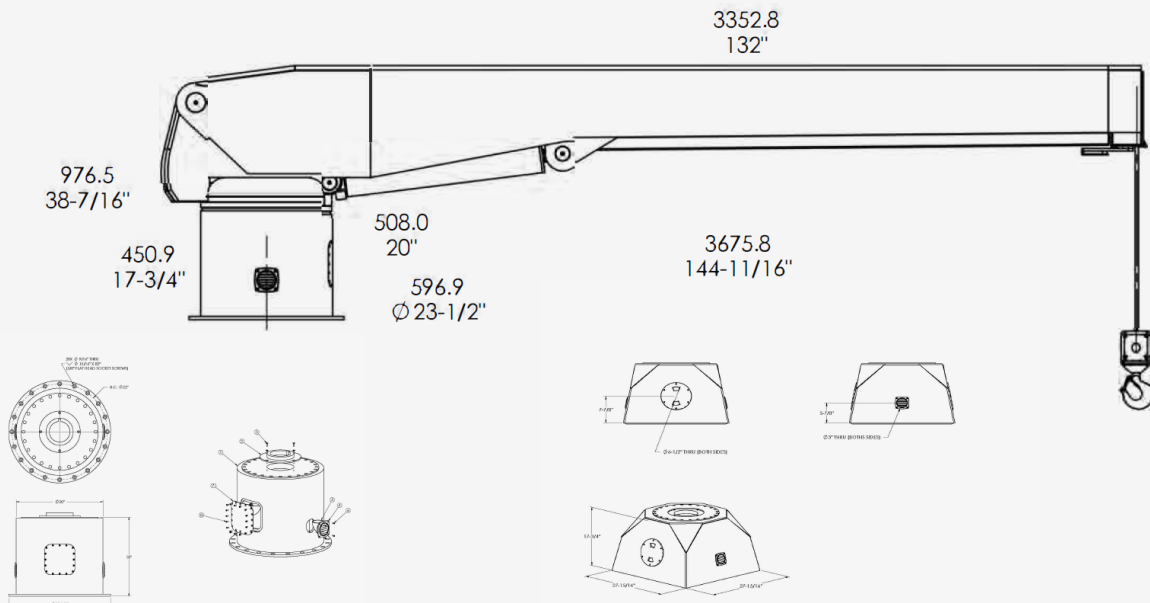
CT Series 2000/2500

CT 2000

CAPACITY	REACH	WEIGHT	HOIST CABLE	CABLE SAFETY FACTOR	HOIST TRAVEL	WINCH TYPE	IDEAL FOR VESSELS
2000 lbs 909 kg	12 - 18' 3.7 - 5.5 m or 13 - 20'	1150 lbs 522 kg	3/8" Amsteel	10:1	24' 732 cm	Linear	70' Plus 21 m

CT 2500

CAPACITY	REACH	WEIGHT	HOIST CABLE	CABLE SAFETY FACTOR	HOIST TRAVEL	WINCH TYPE	IDEAL FOR VESSELS
2500 lbs 1136 kg	12 - 18' 3.7 - 5.5 m 13 - 20'	1150 lbs 522 kg	1/2" Amsteel	13:1	24' 732 cm	Linear	70' Plus 21 m



ISO 9001:2008
**PROUDLY MADE IN
NORTH AMERICA**