

# Automatic Charging Relay Switch Panel

Provides manual operation for CL and L Series ACRs  
PN: 8270

## Features

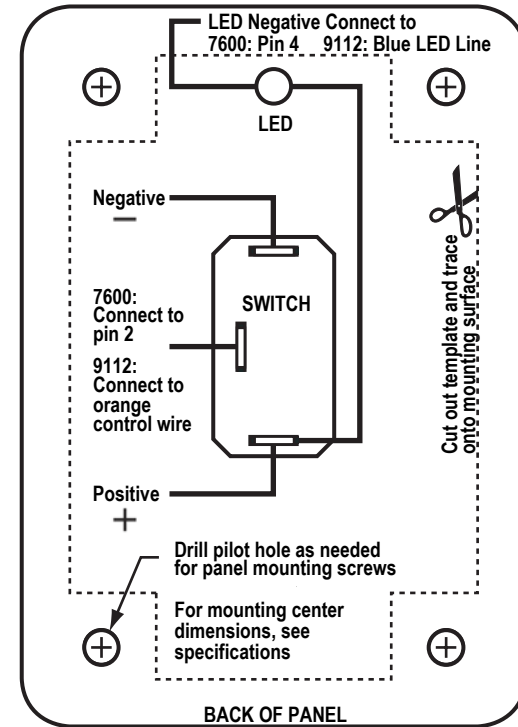
- ON-AUTO-OFF operation
- Green LED circuit "ON" indicator
- Ignition protected
- All non-corrosive marine grade metals

## Note

- PN 9112 may be used for emergency starting
- PN 7600 not recommended for engine starting

## Specifications

Panel Material	0.125" Aluminum 5052 Alloy
Panel Undercoating	Chemical Treatment Mil-C-5541C or equal
Panel Front Coating	2-Part Polyurethane Slate Gray
Toggle Switch	ON-OFF-ON SPDT
Voltage	12 Volts DC
Amperage	15 Amperes DC
Dimensions	3.75" x 2.63"      95.25mm x 66.80mm
Mounting Center	2.93" x 1.80"      74.42mm x 45.72mm
Standards	This panel, when properly installed, complies with all applicable Standards and Recommended Practices of the American Boat and Yacht Council as well as the United States Coast Guard 33 CFR Sub Part 1.



Cutout

Blue Sea Systems Inc.  
425 Sequoia Drive  
Bellingham, WA 98226 USA  
Phone (360)738-8230 Fax (360)734-4195  
www.blueseasystems.com

