

- 11. FINISH, COVER - BARE ALUMINUM, AS MANUFACTURED.
FINISH, COAMING - BARE ALUMINUM, AS MANUFACTURED.
- 10. FOR SPECIFIC INFORMATION CONTACT SALES.
- 9. COMPLETE ASSEMBLY WEIGHT W/ DECK RING, 46.9LBS/ 21.2K.
- 8. DOGGING PRESSURE FULLY ADJUSTABLE.
- 7. HANDLE POSITION TOPSIDE INDICATES WHETHER DOGGING MECHANISM IS IN OPEN OR CLOSED POSITION.
- 6. ALUMINUM ALLOY MECHANISM SHOWN.
- 5. FLUSH, WATERTIGHT CONSTRUCTION.
- 4. INTEGRAL TOPSIDE "T" HANDLE STANDARD, OTHER TOPSIDE ACTUATION AVAILABLE.
- 3. CAST ALUMINUM ALLOY FLANGE. FLANGE CAN BE DRILLED FOR BOLTED INSTALLATIONS OR WELDED TO ALUMINUM.
- 2. QUICK-ACTING, MECHANISM ENGAGES OR DISENGAGES IN QUARTER-TURN OF CENTER SPINDLE.
- 1. 19.4" x 26.2" CLEAR OPENING, ALL DIMENSIONS SHOWN SUBJECT TO CASTING VARIATION AND ARE REFERENCE ONLY.

NOTES: UNLESS OTHERWISE SPECIFIED.

CUSTOMER APPROVAL

Signature: _____

Date: _____

IMPORTANT! THIS DRAWING SUPERSEDES ALL OTHER DOCUMENTS. By signing this approval you accept and agree that the dimensions and details shown are correct and properly fit your application, regardless of any differences between this drawing and any contract specifications. Should you see any errors in the drawing, or have any questions, please contact your Freeman Marine sales engineer for clarification.

REV.	DESCRIPTION	DATE	DRAWN
-	INITIAL RELEASE AUTOCAD	18MAY98	MWF
A	UPDATED FROM OUTDATED AUTOCAD DWG	15MAR03	JN
B	UPDATED PER VISUAL - INNCORRECT MODEL ITEMS SHOWN	23FEB12	RR

SPECIFICATIONS SUBJECT TO CHANGE WITHOUT NOTICE.

PROJECTION

UNLESS OTHERWISE SPECIFIED DIMENSIONS ARE IN INCHES, TOLERANCES FOR ROUGH AND CLEAR OPENING ± .125 INCH. ALL OTHERS ARE:

.X	.XX	.XXX	ANGLES
±.1	±.03	±.010	±2°

DO NOT SCALE DRAWING

FREEMAN MARINE EQUIPMENT, INC.

28336 HUNTER CREEK ROAD
GOLD BEACH, OR 97444 U.S.A.
PHONE: 541-247-7078 FAX: 541-247-2114
www.freemanmarine.com

CLIENT: FREEMAN MARINE EQUIPMENT, INC.

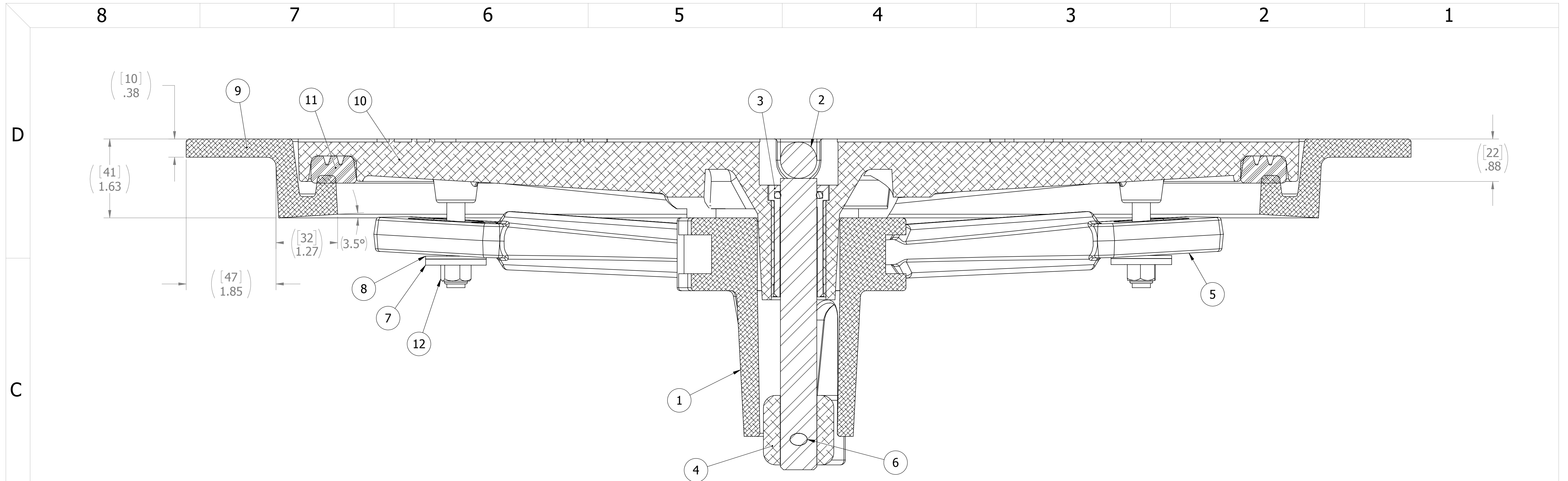
TITLE: HATCH: 1926K, AL COVER, AL RING

SIZE: 64747 DRAWING NUMBER: 2435-0002 REV. B

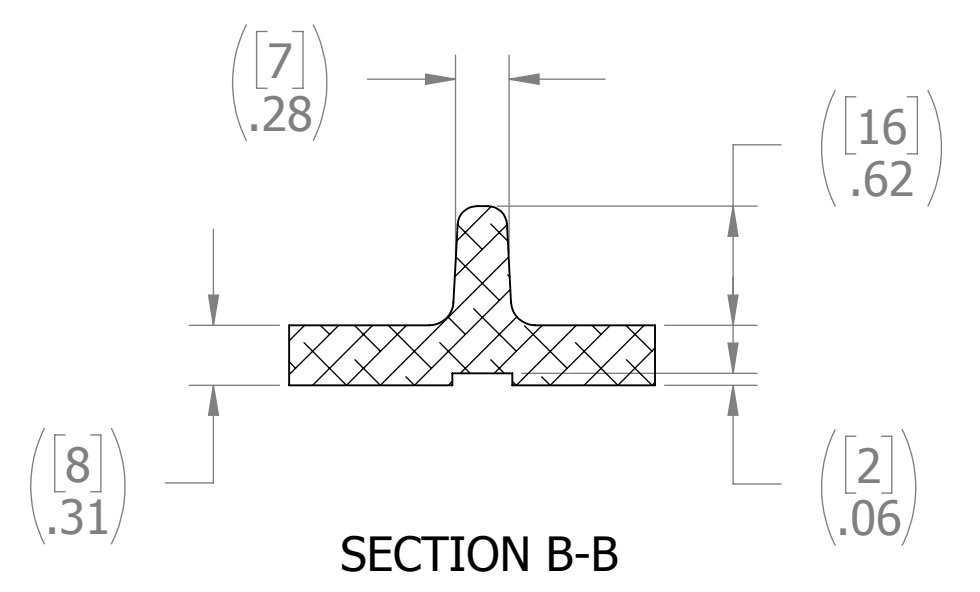
SCALE: 1:3 CALC. WT. ACT. WT. SHEET 1 OF 3

CONFIDENTIAL PROPERTY OF FREEMAN MARINE EQUIPMENT, INC. UNAUTHORIZED USE, COPYING OR DISTRIBUTION IS STRICTLY PROHIBITED. POSSESSOR OF THIS DOCUMENT AGREES TO THE FOREGOING AND SHALL RETURN THIS DOCUMENT UPON REQUEST. © ALL RIGHTS RESERVED 2004

DRAWN: R. REESE DATE: 23FEB12
CHECKED: D. YOES DATE: 23FEB12
ENGR: DATE:
DESIGN ACTIVITY: DATE:
CONTRACT NO.:



SECTION A-A



SECTION B-B

ITEM NO.	QTY.	PART NUMBER	DESCRIPTION	MATERIAL
12	4	0411-2032	NUT .375IN NYLOCK	316/316L
11	1	9813-2001	GASKET: 1926 (6.19 FT. OF 0631-9813)	NEOPRENE, 25 DURO
10	1	2435-3001	COVER: 1926 ALUM, FINISHED CASTING	ALUMINUM, A356.0-F
9	1	2435-1002	RING: 1926 ALUM	ALUMINUM A356.0-F
8	4	0413-2005	WASHER, .406 X 1.250 X .062 NYLON	NYLON
7	4	0411-2033	WASHER .406 X 1.25 X .125IN SS 316	SS, 316
6	1	0411-2004	PIN KNURLED .25 X 2.25IN SS 316	SS, 316
5	4	0211-2007	DOG, LOCKING ARM 1926/1824, AL	ALUMINUM, 535.2-F
4	1	0112-2001	ACTUATOR, AL	ALUMINUM, 535
3	1	0031-2058	BUSHING ASSY, W/O-RING, NO SLEEVE	ACETRON/RUBBER
2	1	0021-2005	HANDLE, S/S, ROUND BAR	SS, 316
1	1	0011-2002	HUB, AL, 4 HOLE	AL, 535.2-F

A

B

C

D

REV.	DESCRIPTION	DATE	DRAWN
-	INITIAL RELEASE AUTOCAD	18MAY98	MWF
A	UPDATED FROM OUTDATED AUTOCAD DWG	15MARD03	JN
B	UPDATED PER VISUAL - INNCORRECT MODEL ITEMS SHOWN	23FEB12	RR

SPECIFICATIONS SUBJECT TO CHANGE WITHOUT NOTICE.

PROJECTION

UNLESS OTHERWISE SPECIFIED DIMENSIONS ARE IN INCHES, TOLERANCES FOR ROUGH AND CLEAR OPENING ± .125 INCH. ALL OTHERS ARE:

.X	.XX	.XXX	ANGLES
±.1	±.03	±.010	±2°

DO NOT SCALE DRAWING

FREEMAN
MARINE EQUIPMENT, INC.

CONFIDENTIAL PROPERTY OF FREEMAN MARINE EQUIPMENT, INC. UNAUTHORIZED USE, COPYING OR DISTRIBUTION IS STRICTLY PROHIBITED. POSSESSOR OF THIS DOCUMENT AGREES TO THE FOREGOING AND SHALL RETURN THIS DOCUMENT UPON REQUEST.

© ALL RIGHTS RESERVED 2004

DRAWN: R. REESE DATE: 23FEB12
 CHECKED: D. YOES DATE: 23FEB12
 ENGR: DATE:

DESIGN ACTIVITY: DATE:

CONTRACT NO.:

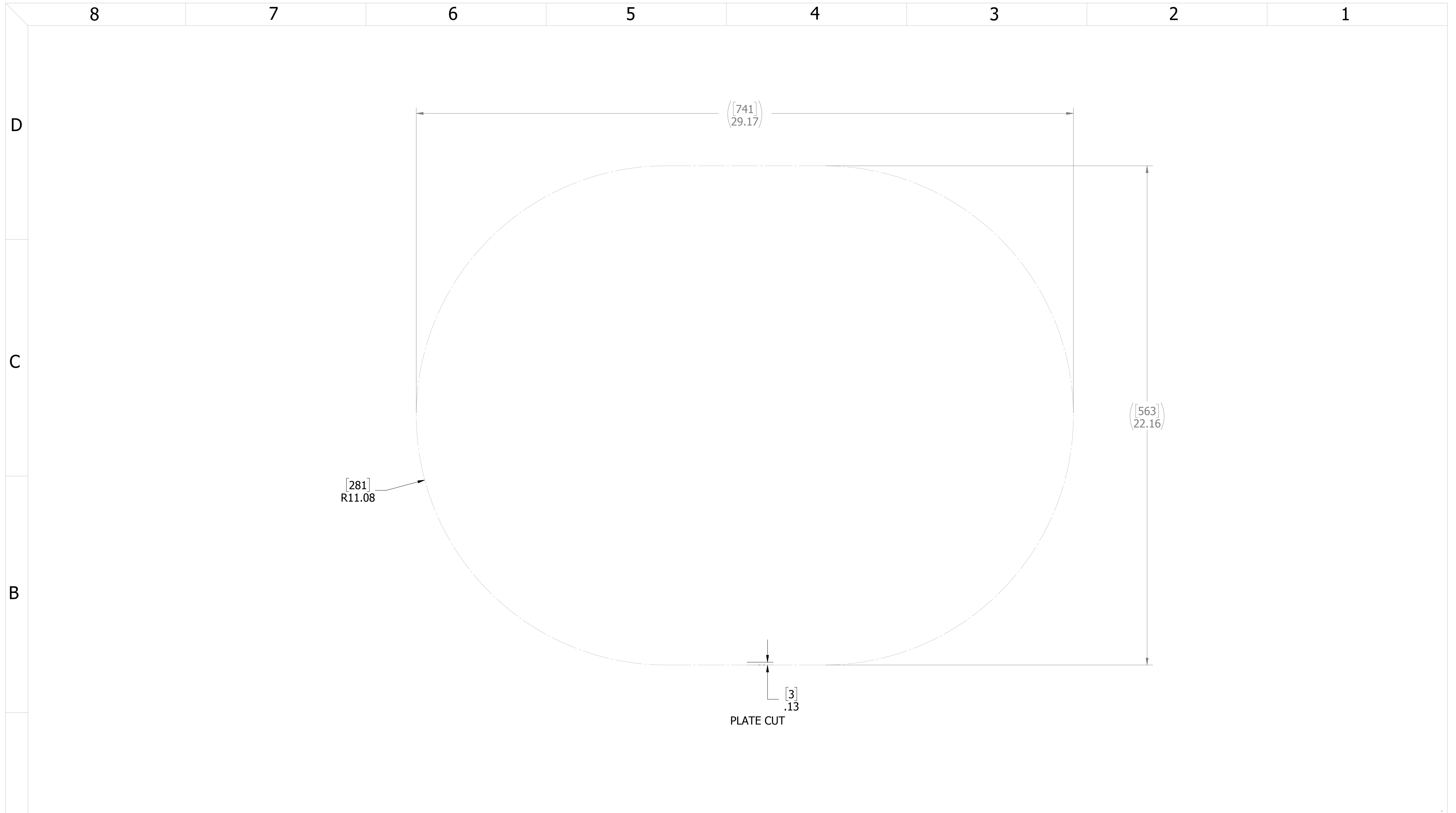
28336 HUNTER CREEK ROAD
 GOLD BEACH, OR 97444 U.S.A.
 PHONE: 541-247-7078 FAX: 541-247-2114
 www.freemanmarine.com

CLIENT: FREEMAN MARINE EQUIPMENT, INC.

TITLE: HATCH: 1926K, AL COVER, AL RING

SIZE	CAGE CODE	DRAWING NUMBER	REV.
D	64747	2435-0002	B

SCALE: 1:1 CALC. WT. ACT. WT. SHEET 2 OF 3



- 3. FINISH: 125 RMS MAX.
 - 2. BREAK SHARP EDGES AND DEBURR.
 - 1. MATERIAL: REF. S/A - B.O.M.
- NOTES: UNLESS OTHERWISE SPECIFIED.

CUSTOMER APPROVAL

Signature: _____
 Date: _____

IMPORTANT! THIS DRAWING SUPERSEDES ALL OTHER DOCUMENTS. By signing this approval you accept and agree that the dimensions and details shown are correct and properly fit your application, regardless of any differences between this drawing and any contract specifications. Should you see any errors in the drawing, or have any questions, please contact your Freeman Marine sales engineer for clarification.

REV.	DESCRIPTION	DATE	DRAWN
-	INITIAL RELEASE AUTOCAD	18MAY98	MWF
A	UPDATED FROM OUTDATED AUTOCAD DWG	15MAR03	JN
B	UPDATED PER VISUAL - INNCORRECT MODEL ITEMS SHOWN	23FEB12	RR

SPECIFICATIONS SUBJECT TO CHANGE WITHOUT NOTICE.

PROJECTION

UNLESS OTHERWISE SPECIFIED DIMENSIONS ARE IN INCHES, TOLERANCES FOR ROUGH AND CLEAR OPENING ± .125 INCH. ALL OTHERS ARE:

.X	.XX	.XXX	ANGLES
±.1	±.03	±.010	±2°

DO NOT SCALE DRAWING

		28336 HUNTER CREEK ROAD GOLD BEACH, OR 97444 U.S.A. PHONE: 541-247-7078 FAX: 541-247-2114 www.freemanmarine.com	
		CLIENT: FREEMAN MARINE EQUIPMENT, INC.	TITLE: HATCH: 1926K, AL COVER, AL RING
DRAWN: R. REESE CHECKED: D. YOES ENGR: _____ DESIGN ACTIVITY: _____ CONTRACT NO.: _____	DATE: 23FEB12 DATE: 23FEB12 DATE: _____	SIZE: D CAGE CODE: 64747 SCALE: 1:2	DRAWING NUMBER: 2435-0002 DRAWN: _____ DATE: _____ ACT. WT. _____
		REV. B SHEET 3 OF 3	