

1 2 3 4 5 6 7 8

DO NOT SCALE IF IN DOUBT ASK

ISSUE	ECO No	AMENDMENT	DATE	DRN
A	-	PRODUCTION ISSUE	11.03.2013	N C
-	-	-	-	-
-	-	-	-	-
-	-	-	-	-

A

B

C

D

E

F

A

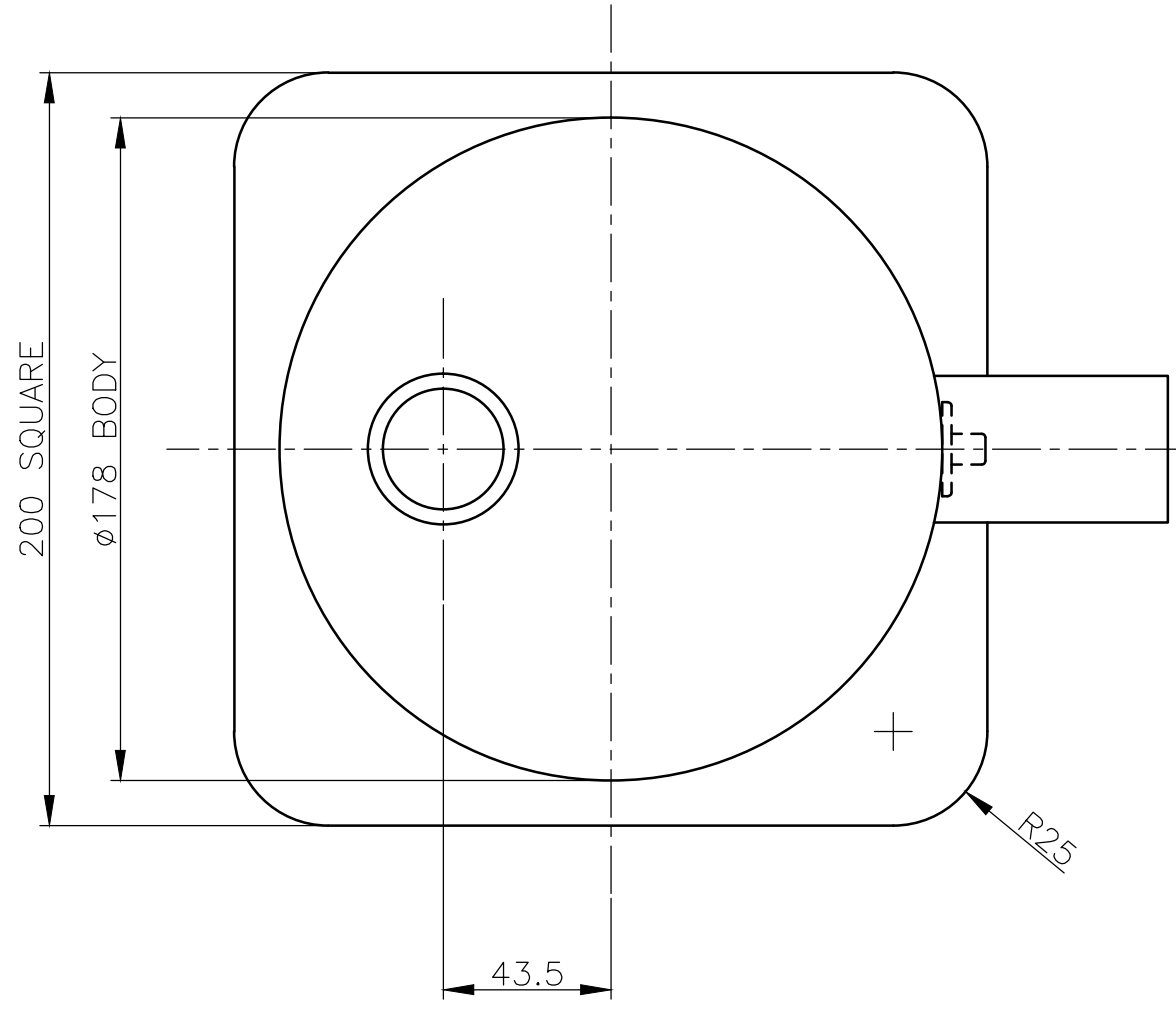
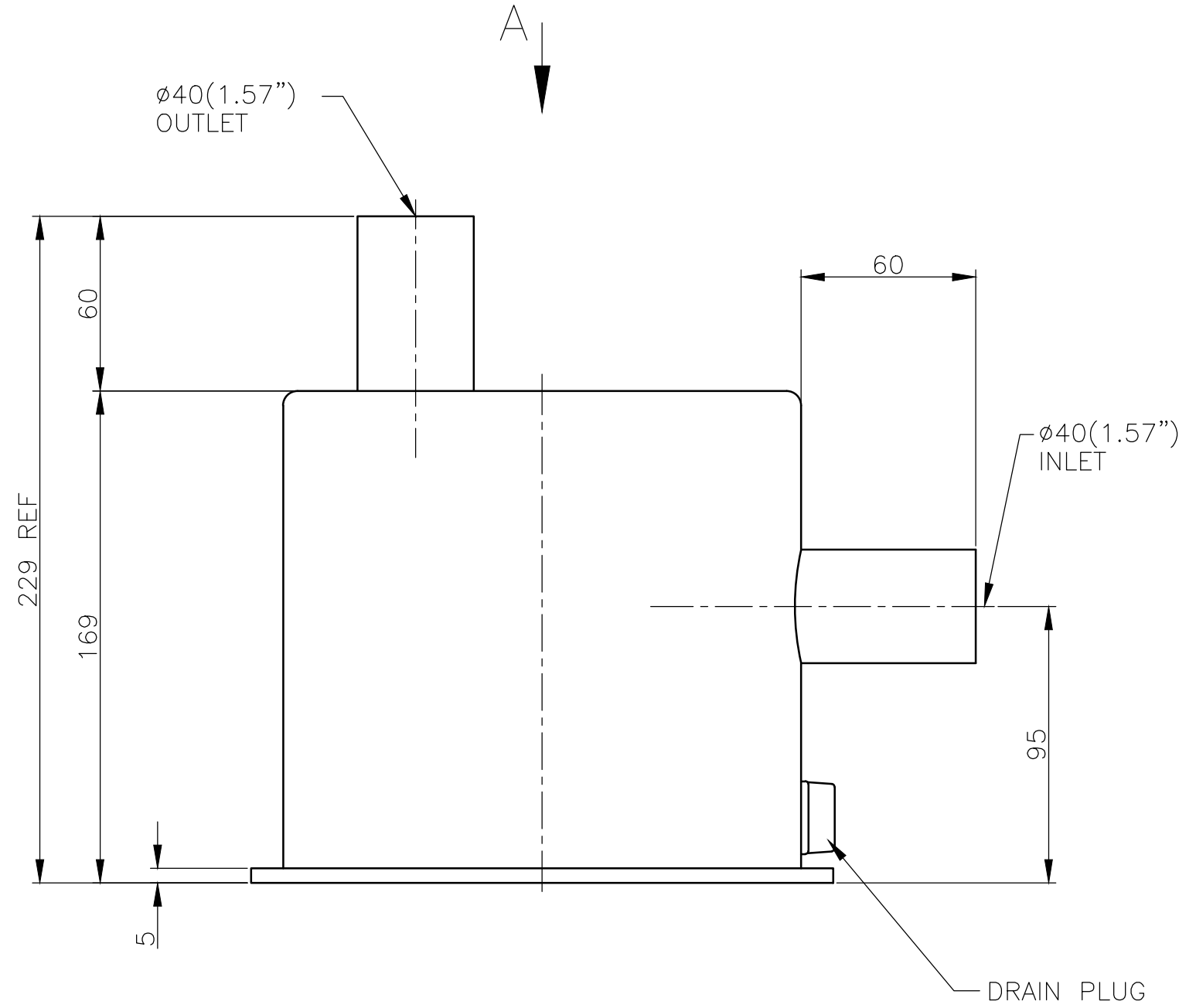
B

C

D

E

F



VIEW ON ARROW A

ALL DIMENSIONS IN mm

ITEM	DESCRIPTION	PART No.
-	-	-
-	-	-

	CLIENT HALYARD	QR	
	PROJECT STANDARD	-	
SCALE 1:2 (A3 ORIGINAL)	TITLE	www.halyard.eu.com Tel +44(0)1722 710922 Fax +44(0)1722 710975 techhelp@halyard.eu.com	
DATE 11/03/2013	LIFT SILENCER ø40(1.57") INLET/OUTLET		ACAD 2000 DWG
DRN. N C	CHKD.	APPR.	DRG. No.
© Copyright Halyard (Marine & Industrial) Ltd. All rights to reproduce this design or any variation thereof in whole or part are reserved.			HST025-SP
		Sheet	Sheets
		1	1
		ISS.	A

1 2 3 4 5 6 7 8