

# OWNER'S MANUAL

*M6-650x*  
*M6-770x*  
*M6-880x*

---

## Marine Coaxial Loudspeakers with Luxe Grille

*Thank you for purchasing a JL Audio Marine Coaxial Speaker System.*

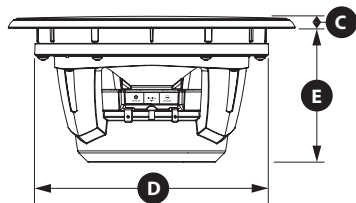
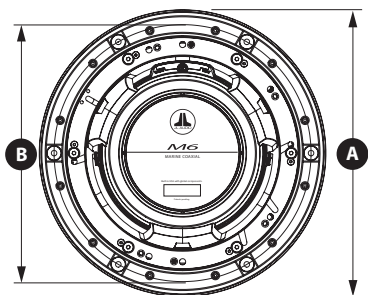
*With proper installation, your new speakers will deliver  
years of listening pleasure.*

*We strongly recommend that you have your new marine speakers  
installed by your authorized JL Audio dealer.*

*The installation professionals employed by your dealer have  
the necessary tools and experience to properly install your new speakers.*

*If you prefer to perform your own installation,  
please read this instruction manual completely before  
beginning the process.*





Physical Specifications	M6-650X-L	M6-770X-L	M6-880X-L
<b>Nominal Diameter</b>	6.50 in. / 165 mm	7.70 in. / 196 mm	8.80 in. / 224 mm
<b>Outer Diameter (A)</b>	8.34 in. / 212 mm	9.13 in. / 232 mm	10.25 in. / 260 mm
<b>Bolt Hole Circle (B)</b>	7.39 in. / 188 mm	8.18 in. / 208 mm	9.27 in. / 235 mm
<b>Frontal Grille Protrusion (C)</b>	0.37 in. / 9 mm	0.38 in. / 10 mm	0.48 in. / 12 mm
<b>Mounting Hole Diameter (D)</b>	6.75 in. / 172 mm	7.50 in. / 191 mm	8.625 in. / 219 mm
<b>Mounting Depth (E)</b>	3.87 in. / 98 mm	4.26 in. / 108 mm	6.30 in. / 160 mm

\* Frontal grille protrusion measured from mounting surface.

Specifications	M6-650X-L	M6-770X-L	M6-880X-L
<b>Mounting Application</b>	Infinite Baffle	Infinite Baffle	Infinite Baffle
<b>Continuous Power Handling (RMS Method)</b>	75 Watts / channel	100 Watts / channel	125 Watts / channel
<b>Recommended Amplifier Power</b>	25 - 150 Watts / channel	40 - 200 Watts / channel	50 - 250 Watts / channel
<b>Frequency Response</b>	55 Hz - 25 KHz (± 3 dB)	45 Hz - 25 KHz (± 3 dB)	38 Hz - 20 KHz (± 3 dB)
<b>Efficiency @ 1W/1m</b>	89.5 dB	91.0 dB	90.5 dB
<b>Nominal Impedance</b>	4 ohms	4 ohms	4 ohms

Due to ongoing product development, all specifications are subject to change without notice.

## MARINE SPEAKER SPECIFICATIONS

**Woofer:** Injection-molded, mica-filled polypropylene cone body with UV inhibitors, 1.00-inch (25 mm) voice coil on M6-650X-L, 1.25-inch (32 mm) voice coil on M6-770X-L and 1.40-inch (36 mm) voice coil on M6-880X-L, low-profile/ progressive-roll spider and synthetic rubber surround. DMA-optimized, long excursion design for enhanced output and bass response. UV-resistant polymer basket and low-profile mounting bezel. Powder-coated, flush-mount, metal mesh grille.

**Tweeter:** 0.80-inch (20 mm) on M6-650X, 1.00-inch (25 mm) on M6-770X, 1.25-inch (32 mm) on M6-880X, treated silk dome design, neodymium magnet, ferrofluid cooled and damped.

**Crossover Network:** True 2-way network with 1st order low-pass and 2nd order high-pass circuits on M6-650X-L, 2nd order low-pass and 3rd order high-pass circuits on M6-770X-L & M6-880X-L. Solid-state tweeter protection circuit.

### Included Components and Parts:

- One Marine Coaxial Loudspeaker
- One Flush-Mount, Mesh Grille
- One Treated Silk Dome Tweeter (mounted to bridge)
- One 2-way Crossover (integrated to woofer basket)
- Six #8 x 1-inch (25 mm) Phillips-Head Stainless-Steel Screws (for speaker mounting)
- One Mesh Grille Removal tool
- Mounting Template

**!! CAUTION**

Prolonged exposure to sound pressure levels in excess of 100dB can cause permanent hearing loss. This high-performance speaker can exceed this level. Please exercise restraint in its operation in order to preserve your ability to enjoy its fidelity.

**!! CAUTION**

When installing speakers in your vessel, it is extremely important to secure them firmly. This applies not only to the speakers themselves, but also any structure they are mounted to. If not firmly attached, the speakers can become dangerous projectiles in a collision. Please review the mounting information carefully and use the supplied marine-grade hardware to mount this product.

**!! WARNING**

While this speaker is designed to be water and spray resistant, it is not designed to be submerged or to withstand high-pressure water spray. Do not install on submersibles, personal watercraft or any other vessel likely to be under water at any time. Please exercise care when washing your boat to avoid damaging your speaker. Avoid contact with harsh chemicals or cleaning agents to prevent damage to the speaker's finish that will not be covered under warranty. Wash with mild soap and rinse with freshwater only.

**!! WARNING**

It is absolutely vital that your coaxial speaker system is connected as shown in this manual. Failure to connect the system as shown will result in damage to your speakers which is NOT covered under warranty. Do not substitute different crossover networks.

**!! WARNING**

Do not attempt to remove the tweeter from the bridge. The tweeter is permanently fixed and attempting to remove them will cause damage and this damage will not be covered under warranty.

## **BEFORE YOU BEGIN INSTALLING**

- Turn off the audio system. It is also advisable to disconnect your battery system whenever performing installation work.
- Before cutting, drilling or inserting any screw, check clearances on both sides of the planned mounting surface. Also check for any potential obstacles, such as wiring harnesses, fuel lines, hydraulic lines, etc. Check both sides of the vessel before cutting any holes.
- If you are running cables through bulkheads, drill holes for the cable and use a urethane or plastic grommet to protect the wire from chafing in the hole. Make sure that the cables will clear any mechanical devices in the boat and secure them with wire ties.
- Wear protective eyewear at all times and a dust mask and gloves when drilling or cutting.

## **TWEETER PROTECTION**

The crossover network is equipped with an advanced electronic tweeter protection circuit designed to minimize the possibility of tweeter failure. This electronic device monitors current going to the tweeter and will disconnect the tweeter from the signal when it senses overload. Should this occur while listening to the audio system, simply reduce the volume for a few seconds and the protection circuit will reset itself automatically.

## **INSTALLING THE SPEAKER**

This speaker is specifically designed for infinite-baffle applications. In other words, this means that it is designed to operate without an enclosure behind it.

Once mounting locations have been established, run speaker cables from the amplifier outputs to the mounting locations.

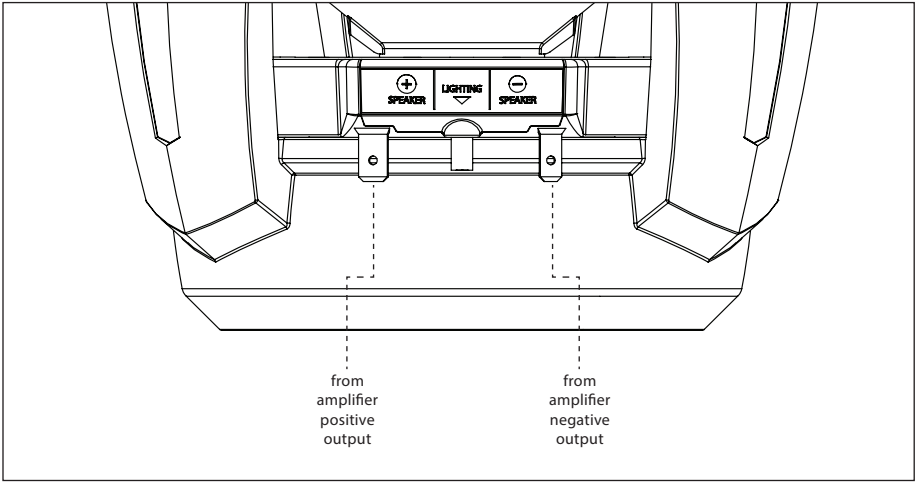
## INSTALLATION PROCEDURE

Diagram A (page 7) shows typical installation procedures into a fiberglass panel, using the supplied hardware. Always follow proper safety procedures. Use eye-protection at all times and a dust mask and gloves when cutting.

- 1) Choose a flat mounting surface that has sufficient depth and air space behind it to accept the speaker.
- 2) Using a hole saw, router or jigsaw, cut a mounting hole for your respective speaker model (see “Mounting Hole Diameter (D)” specifications, page 2). If using a jigsaw, tracing the supplied mounting template will provide you with an accurate line on which to cut.
- 3) Place the speaker in the hole (or use the mounting template) and mark the screw hole locations using a sharp, pointed tool.
- 4) Remove the speaker and drill a pilot hole (see the Pilot Hole Recommendations chart on page 6) in each of the screw locations. It is also advisable to use a hand-driven countersink tool on each hole to further inhibit gel-coat cracking of fiberglass panels.
- 5) Connect the speaker wires from the amplifier to the woofer connections (see Speaker Connections on page 6).
- 6) Place the speaker into the opening.
- 7) While holding the speaker firmly in its mounting location, place a #8 screw at each pilot hole location and snug in a criss-cross pattern, then tighten with a hand screwdriver in a criss-cross pattern.
- 8) The mesh grille fits in the center of the mounting bezel and is held in place with embedded magnets. To install, simply bring the mesh grille near the mounting bezel, allowing the magnets to pull it into the recess of the mounting bezel.

Non-standard installations may require different hardware. Always use marine-grade, stainless-steel fasteners to ensure a secure, reliable installation.

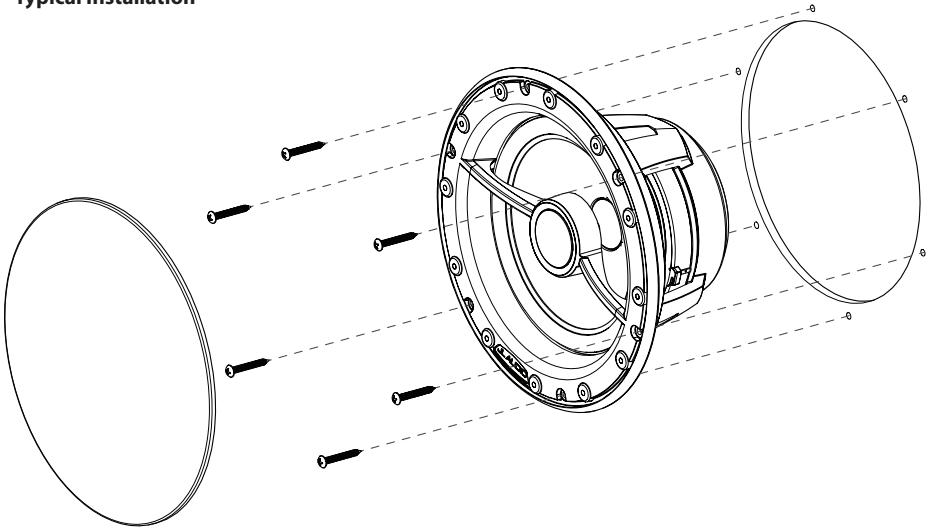
## SPEAKER CONNECTIONS



### #8 SCREW: PILOT HOLE RECOMMENDATIONS

Fiberglass Thickness	Recommended Pilot Hole Drill Size
0.312 in. (7.92 mm) or less	1/8 in. (3.18 mm) pilot hole
foam core / fiberglass sandwich	1/8 in. (3.18 mm) pilot hole
larger than 0.312 in. (7.92 mm)	9/64 in. (3.57 mm) pilot hole

**DIAGRAM A**  
**Typical Installation**

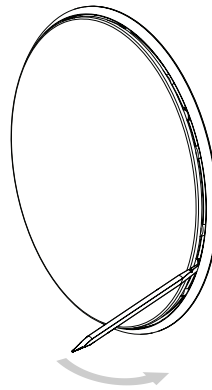


**MESH GRILLE REMOVAL**

Diagram B illustrates how to properly remove the mesh grille using the included grille removal tool. A small, non-marring, flat tipped pry tool can also be used to avoid damaging the finish of the mounting bezel.

- 1) Carefully insert the flat end of the grille removal tool between the mesh grille and mounting bezel.
- 2) While holding the grille removal tool in place, tilt the grille removal tool outward to lift the edge of the mesh grille and remove.

**DIAGRAM B**



**LIMITED WARRANTY - MARINE SPEAKER SYSTEMS (USA)**

JL AUDIO warrants this product to be free of defects in materials and workmanship for a period of two (2) years from the original date of purchase.

This warranty is not transferable and applies only to the original purchaser from an authorized JL AUDIO dealer. Should service be necessary under this warranty for any reason due to manufacturing defect or malfunction, JL AUDIO will (at its discretion), repair or replace the defective product with new or remanufactured product at no charge.

Damage caused by the following is not covered under warranty: accident, misuse, abuse, product modification or neglect, failure to follow installation instructions, unauthorized repair attempts, misrepresentations by the seller. This warranty does not cover incidental or consequential damages and does not cover the cost of removing or reinstalling the unit(s). Cosmetic damage due to accident or normal wear and tear is not covered under warranty.

Products installed as original equipment by boat manufacturers are covered by the boat manufacturer's warranty, not JL Audio, Inc.

**Warranty is void if the product's serial number has been removed or defaced.**

Any applicable implied warranties are limited in duration to the period of the express warranty as provided herein beginning with the date of the original purchase at retail, and no warranties, whether express or implied, shall apply to this product thereafter. Some states do not allow limitations on implied warranties, therefore these exclusions may not apply to you. This warranty gives you specific legal rights, and you may also have other rights which vary from state to state.

**If you need service on your JL AUDIO product:**

All warranty returns should be sent to JL AUDIO freight prepaid through an authorized JL AUDIO dealer and must be accompanied by proof of purchase (a copy of the original sales receipt.) Direct returns from consumers or non-authorized dealers will be refused unless specifically authorized by JL AUDIO with a valid return authorization number. Warranty expiration on products returned without proof of purchase will be determined from the manufacturing date code. Coverage may be invalidated as this date is previous to purchase date. Return only defective components. If one speaker fails in a system, return only that speaker component, not the entire system. Non-defective items received will be returned freight-collect. Customer is responsible for shipping charges and insurance in sending the product to JL AUDIO. Freight damage on returns is not covered under warranty.

**For Service Information in the U.S.A. please call**

**JL Audio Customer Service:** (954) 443-1100

9:00 AM – 5:30 PM (Eastern Time Zone)

**JL Audio, Inc**

10369 North Commerce Pkwy.

Miramar, FL 33025

**International Warranties:**

Products purchased outside the United States of America are covered only by that country's distributor and not by JL Audio, Inc.

