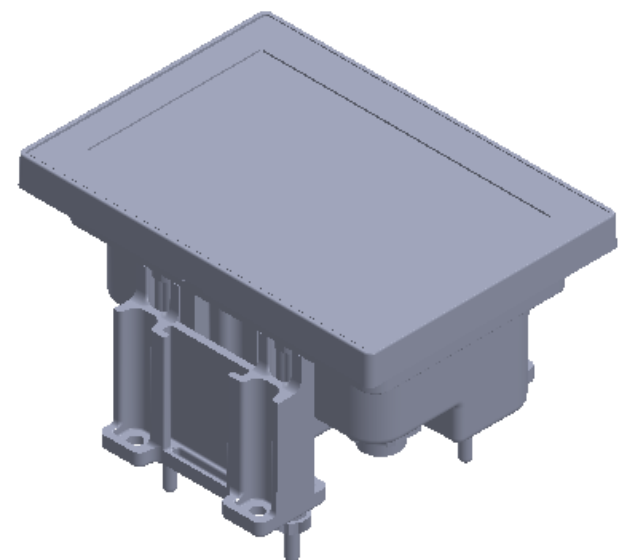
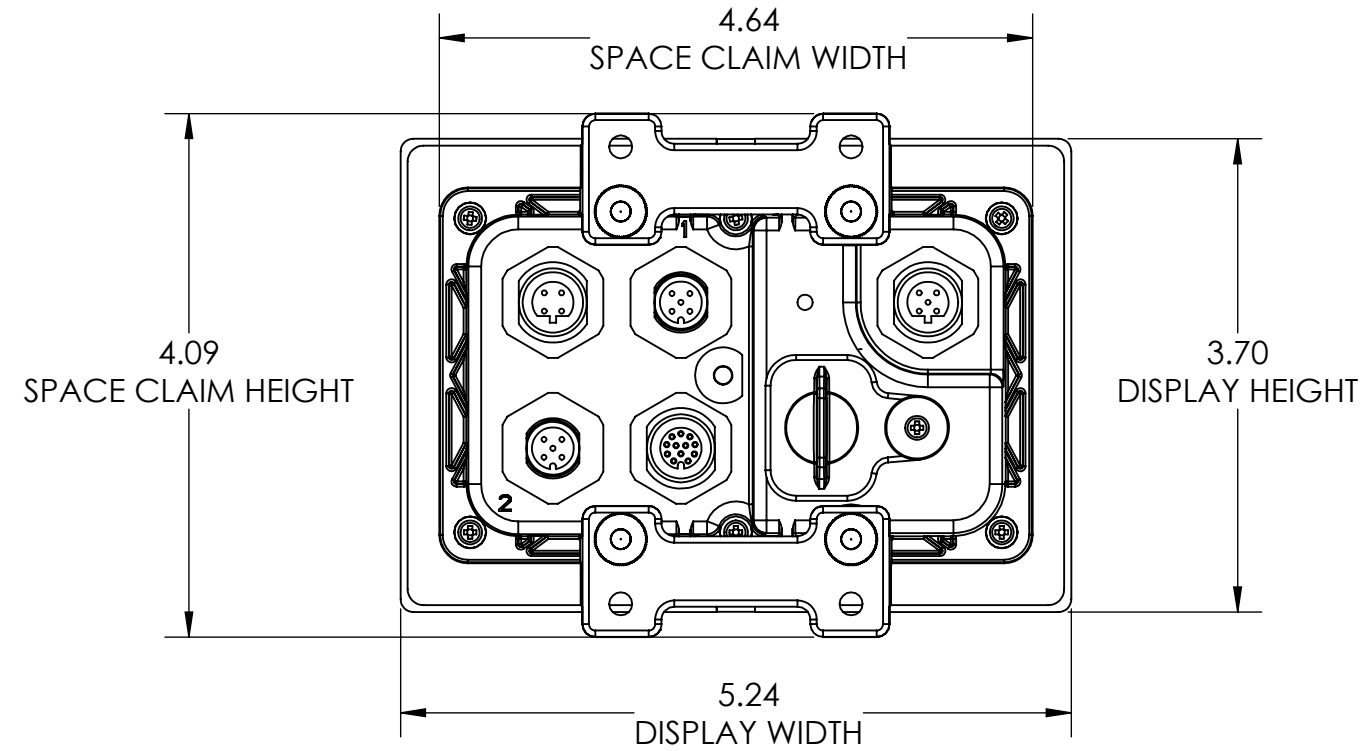
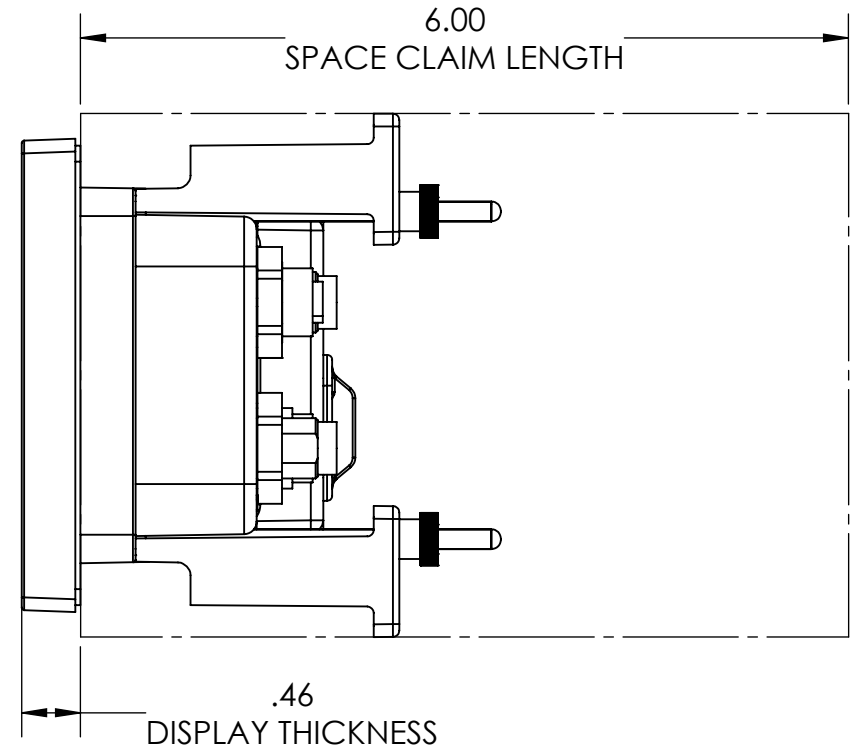


8 7 6 5 4 3 2 1

REV NO.	ECN NO.	ZONE	DESCRIPTION	DATE	APPRVD.
1			RELEASED FOR PRODUCTION	2/24/2017	BEN



PROPRIETARY AND CONFIDENTIAL

THE INFORMATION CONTAINED IN THIS DRAWING IS THE SOLE PROPERTY OF SEAKEEPER INCORPORATED. ANY REPRODUCTION IN PART OR AS A WHOLE WITHOUT THE WRITTEN PERMISSION OF SEAKEEPER IS PROHIBITED.

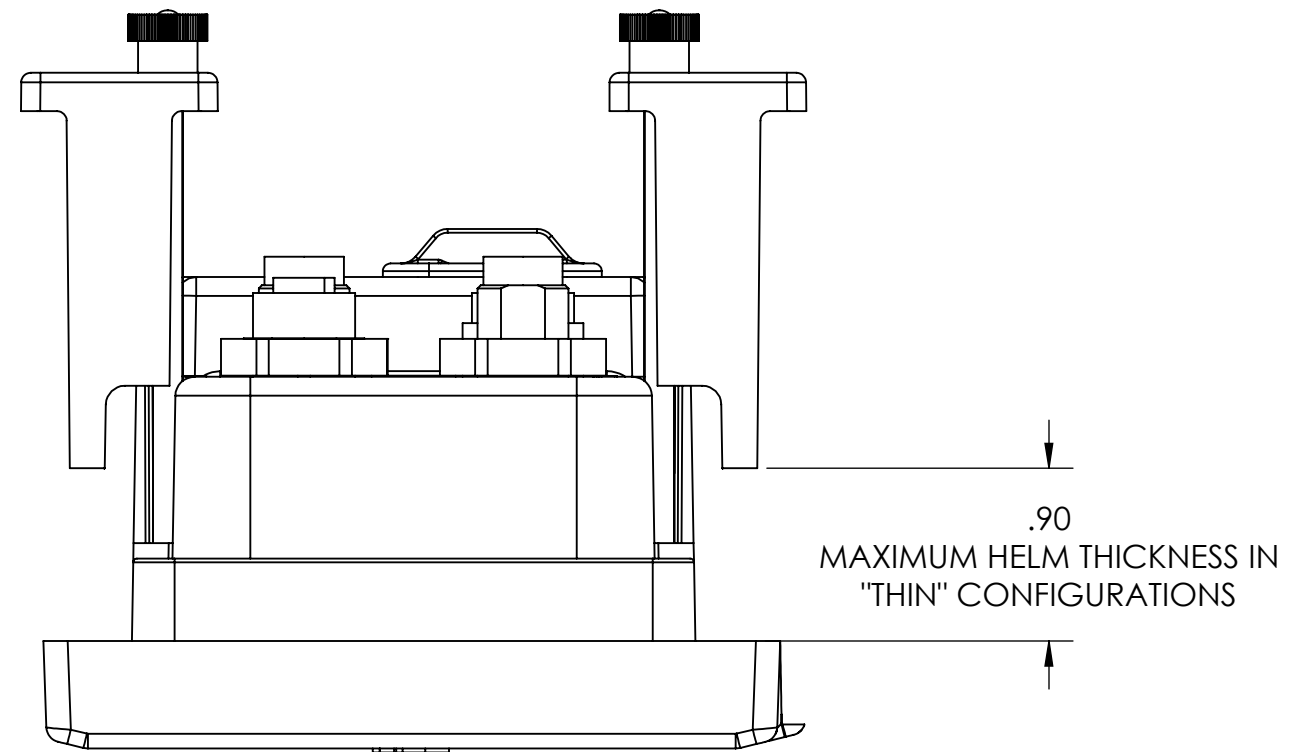
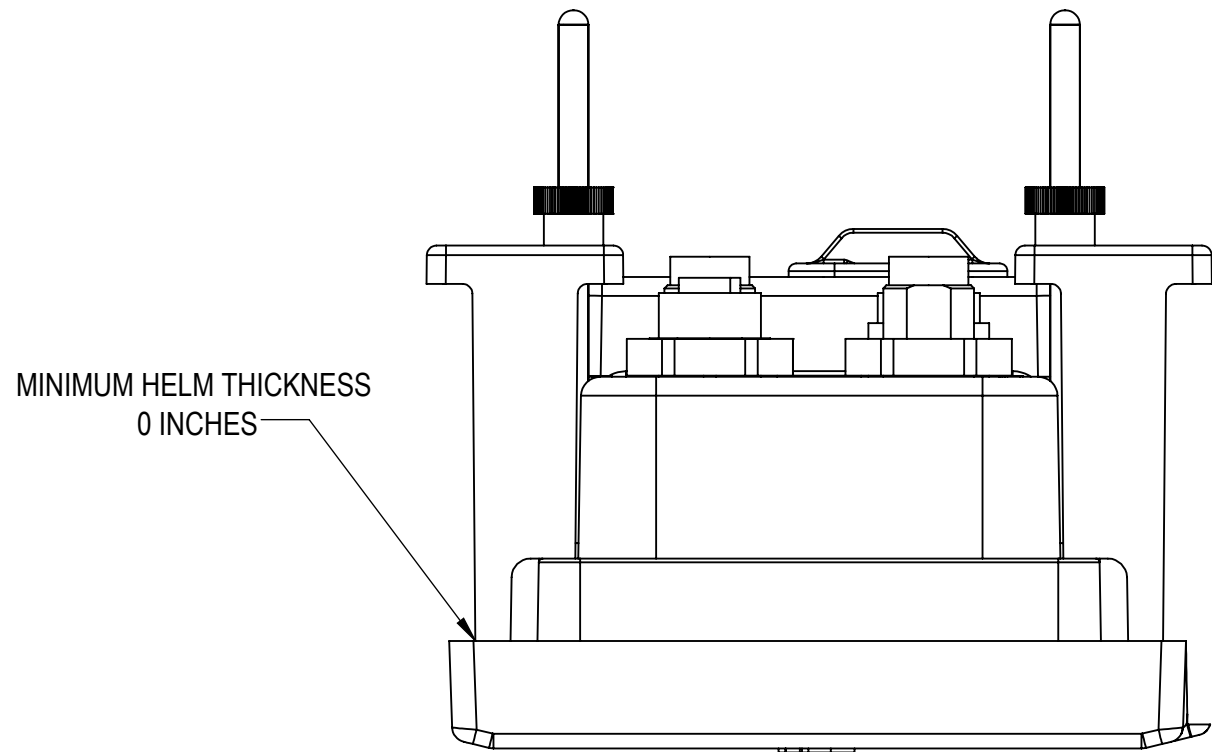


WEIGHT - LBS : ---	DRAWN: BEN	DATE: 10JAN2017
MATERIAL: ---	ENG APPR:	DATE:
	PROD APPR:	DATE:

NAME: ENVELOPE AND MOUNTING DETAILS, 5 INCH OPERATOR DISPLAY	
DWG NUMBER 90438	REV. NO. SHEET NO. 1 1 OF 4

8 7 6 5 4 3 2 1

MOUNTING CLAMPS "THIN" HELM CONFIGURATIONS



PROPRIETARY AND CONFIDENTIAL

THE INFORMATION CONTAINED IN THIS DRAWING IS THE SOLE PROPERTY OF SEAKEEPER INCORPORATED. ANY REPRODUCTION IN PART OR AS A WHOLE WITHOUT THE WRITTEN PERMISSION OF SEAKEEPER IS PROHIBITED.



Seakeeper Inc. 44425 Pecan Court, Suite 151 California, MD 20619

NAME: ENVELOPE AND MOUNTING DETAILS, 5 INCH OPERATOR DISPLAY

WEIGHT - LBS : ---

MATERIAL: ---

DRAWN: BEN

DATE: 10JAN2017

ENG APPR:

DATE:

PROD APPR:

DATE:

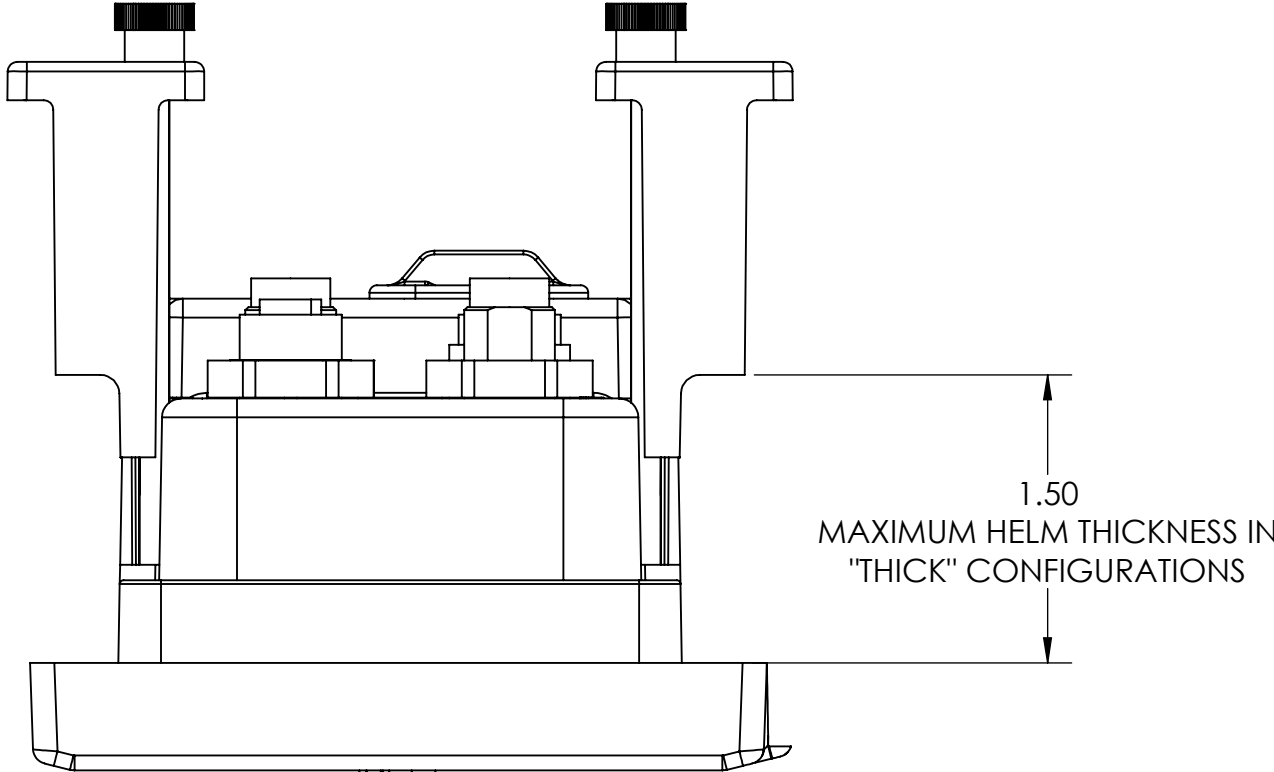
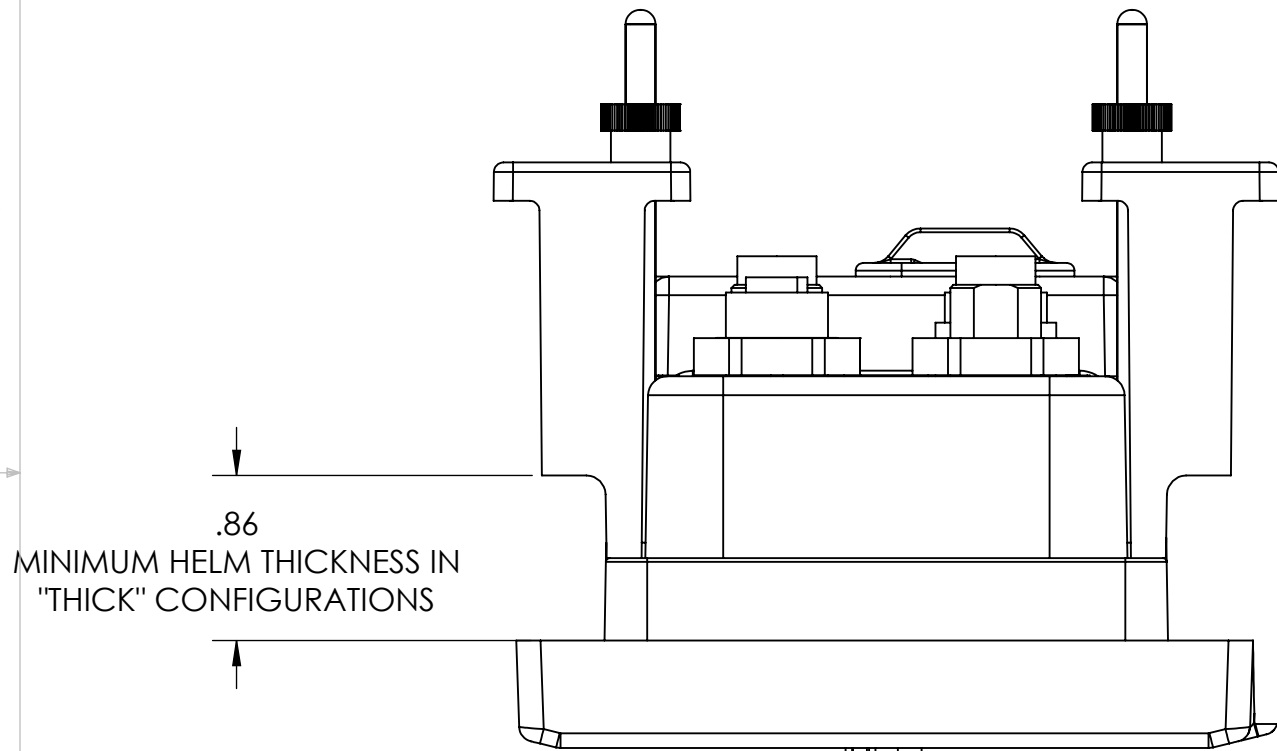
DWG NUMBER

90438

REV. NO. SHEET NO.

1 2 OF 4

MOUNTING CLAMPS "THICK" HELM CONFIGURATIONS



PROPRIETARY AND CONFIDENTIAL

THE INFORMATION CONTAINED IN THIS DRAWING IS THE SOLE PROPERTY OF SEAKEEPER INCORPORATED. ANY REPRODUCTION IN PART OR AS A WHOLE WITHOUT THE WRITTEN PERMISSION OF SEAKEEPER IS PROHIBITED.



Seakeeper Inc. 44425 Pecan Court, Suite 151 California, MD 20619

NAME: ENVELOPE AND MOUNTING DETAILS, 5 INCH OPERATOR DISPLAY

WEIGHT - LBS : ---

MATERIAL: ---

DRAWN: BEN DATE: 10JAN2017

ENG APPR: DATE:

PROD APPR: DATE:

DWG NUMBER

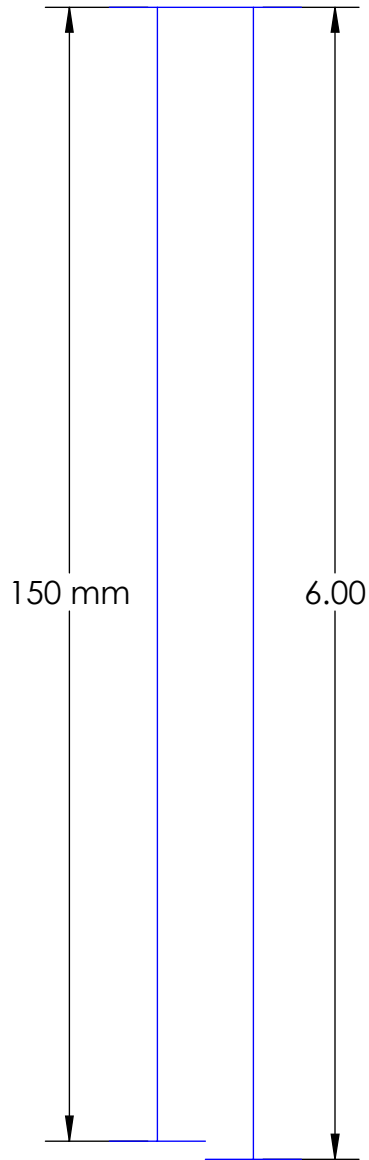
90438

REV. NO. SHEET NO.

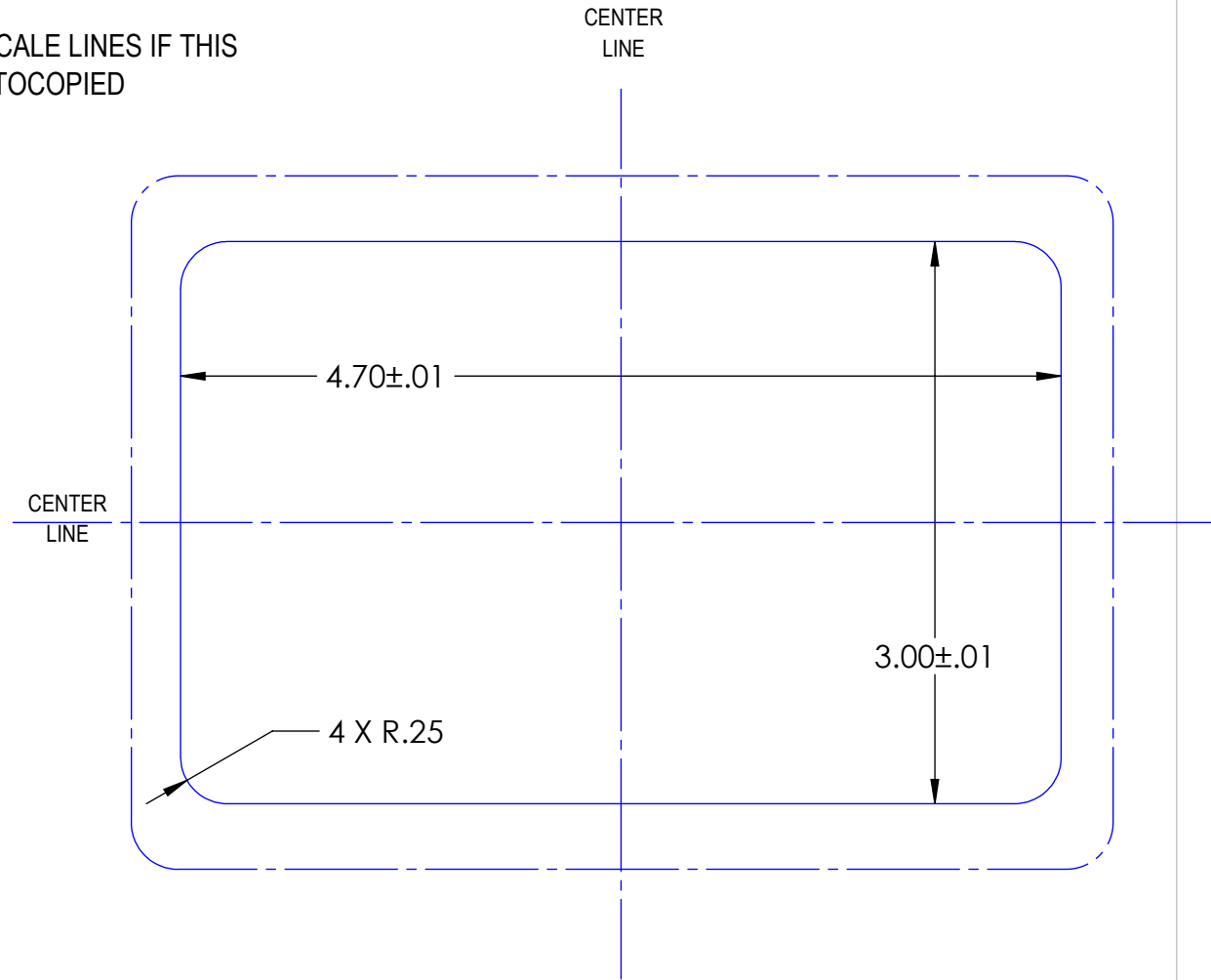
1 3 OF 4

NOTES:

1. USE THIS TEMPLATE FOR STANDARD THROUGH THE HELM INSTALLATION
2. PRINT 1:1 SCALE
3. MAKE SURE TO CHECK THE MEASUREMENTS AND SCALE LINES IF THIS TEMPLATE IS PRINTED FROM A COMPUTER OR PHOTOCOPIED
4. TEMPLATE LINE LEGEND: ——— CUT
- - - - - REFERENCE



SCALE LINES



PROPRIETARY AND CONFIDENTIAL

THE INFORMATION CONTAINED IN THIS DRAWING IS THE SOLE PROPERTY OF SEAKEEPER INCORPORATED. ANY REPRODUCTION IN PART OR AS A WHOLE WITHOUT THE WRITTEN PERMISSION OF SEAKEEPER IS PROHIBITED.



Seakeeper Inc. 44425 Pecan Court, Suite 151 California, MD 20619

WEIGHT - LBS :	---
MATERIAL:	---

DRAWN:	DATE:
BEN	10JAN2017
ENG APPR:	DATE:
PROD APPR:	DATE:

NAME: ENVELOPE AND MOUNTING DETAILS, 5 INCH OPERATOR DISPLAY	
DWG NUMBER	REV. NO. SHEET NO.
90438	1 4 OF 4