

4X Ø10.3 [0.41] SECONDARY MOUNTING HOLES  
4X Ø10.3 [0.41] PRIMARY MOUNTING HOLES

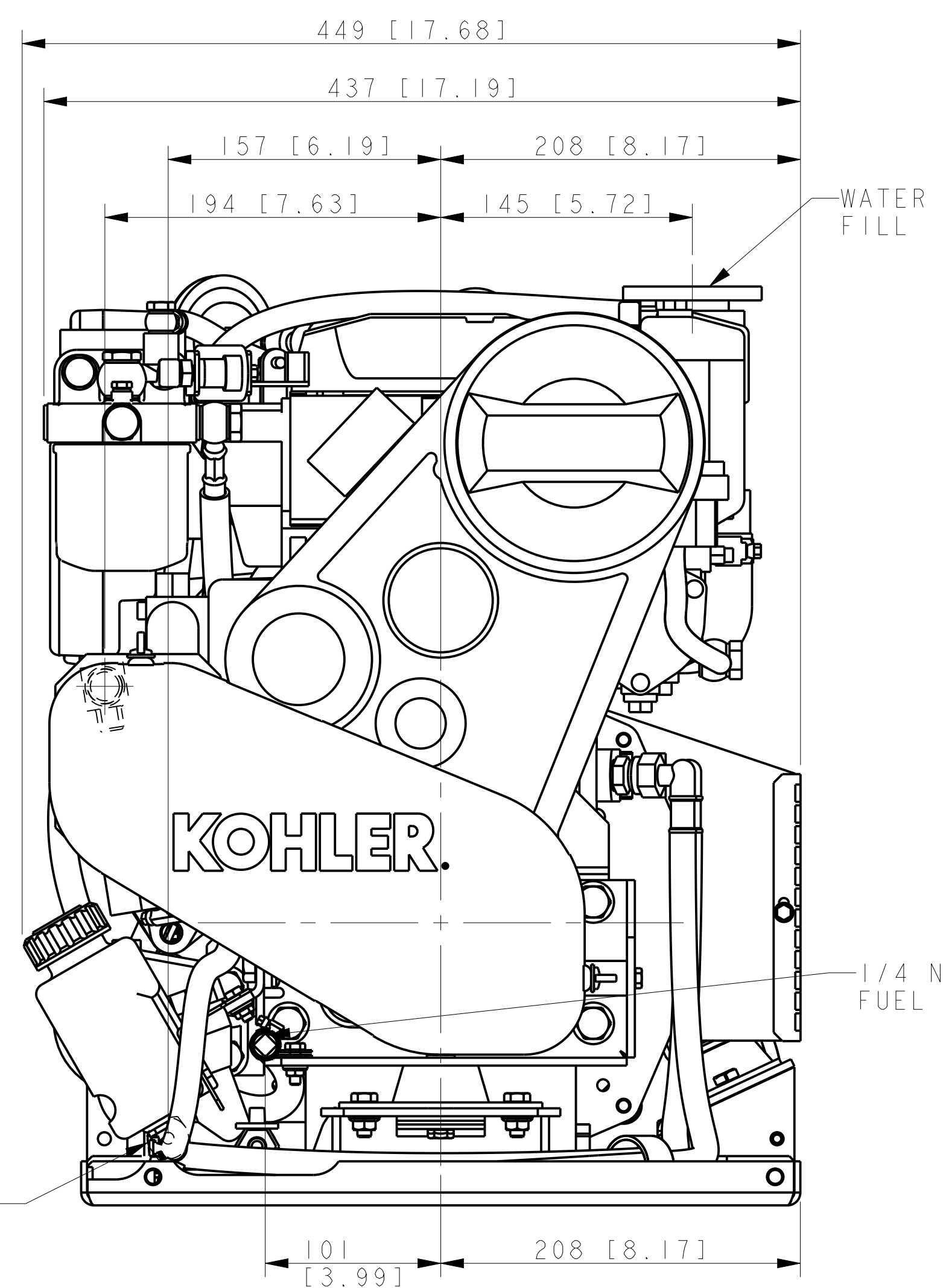
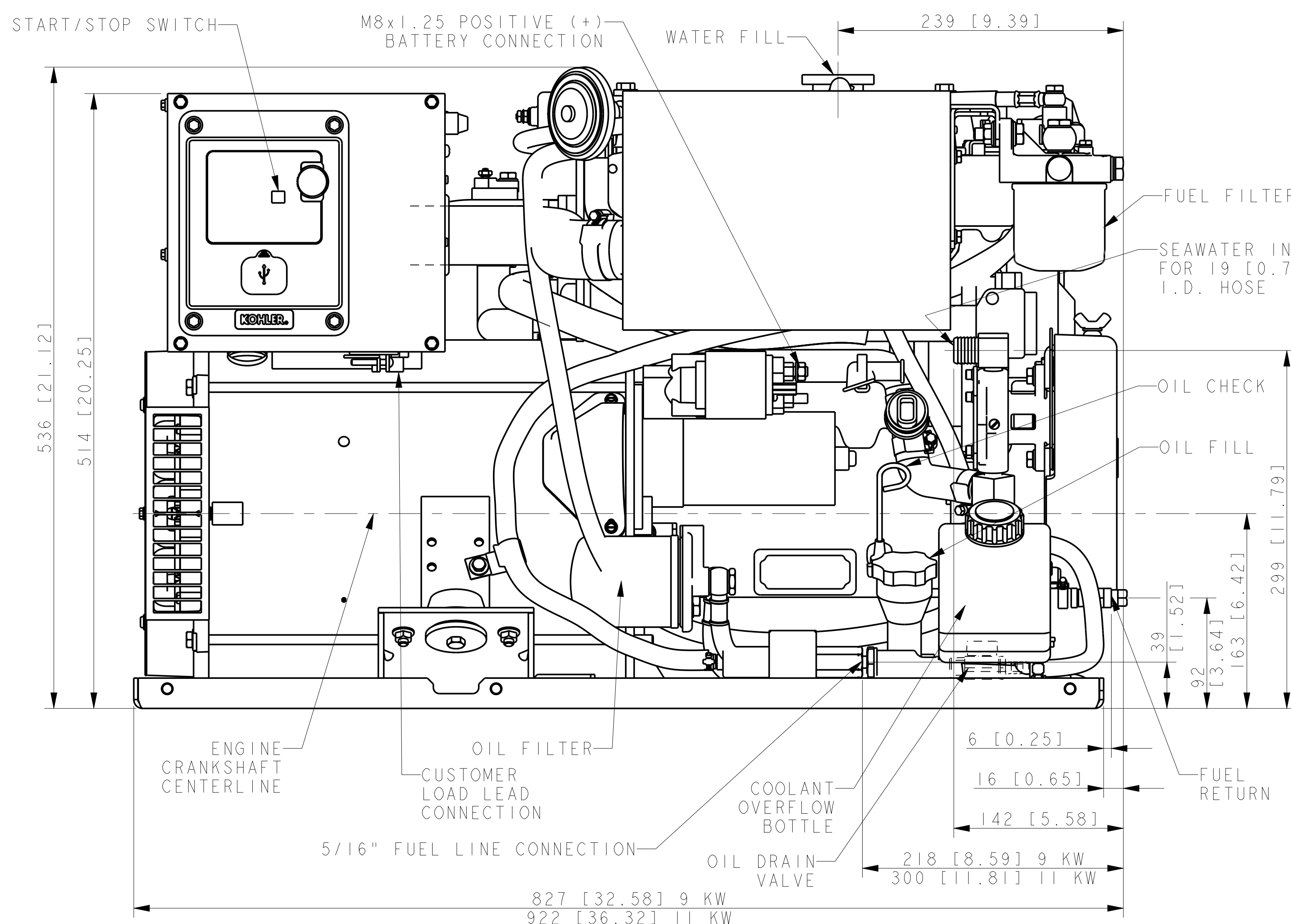
294 [11.57] 9 KW  
376 [14.80] 11 KW

160 [6.28]

350 [13.78] 9 KW  
433 [17.05] 11 KW

192 [7.54]

23 [0.89]



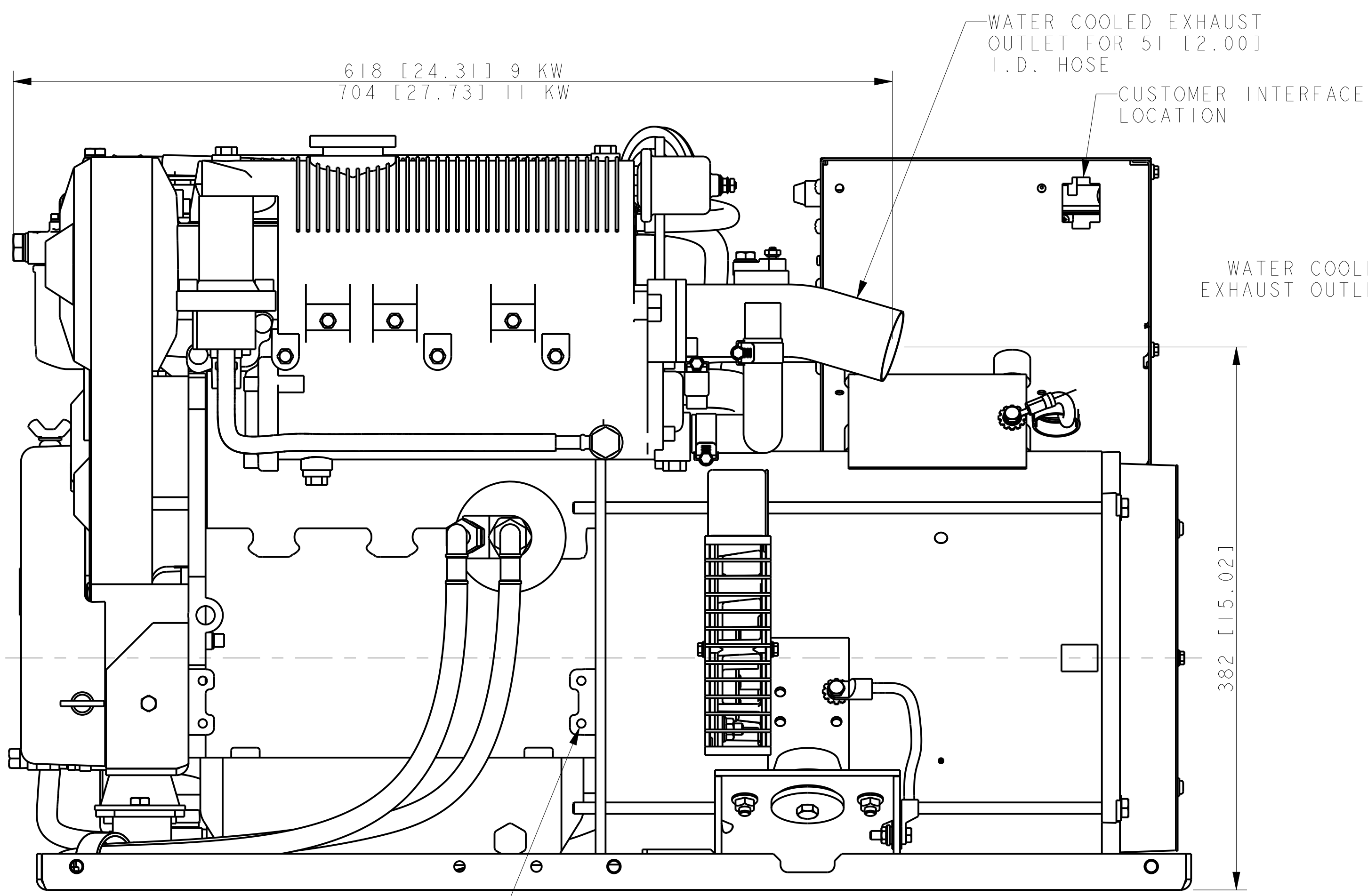
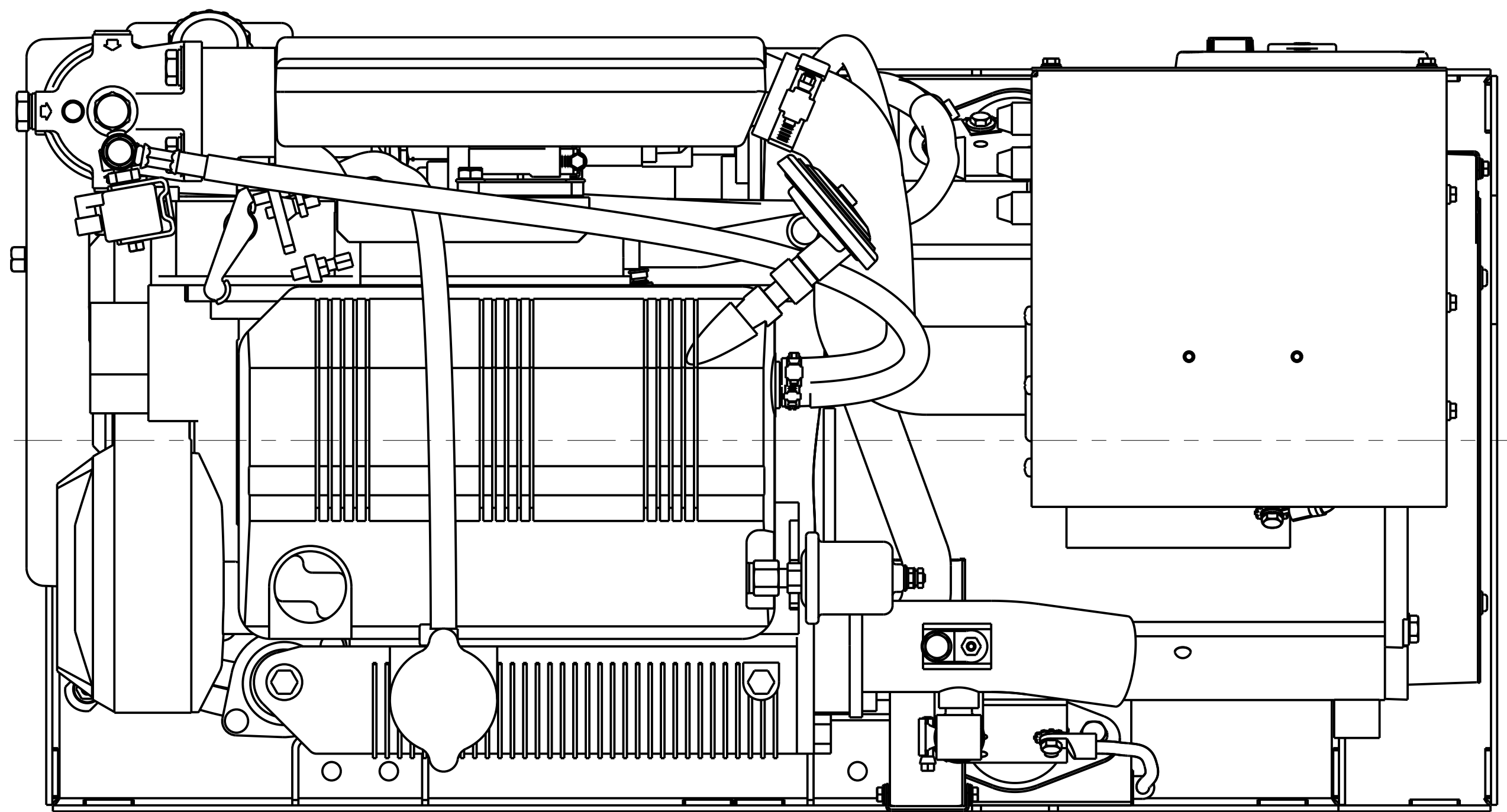
9-11 KW  
KOHLER DIESEL

REV	DATE	ON COMPOSITE DWGS, SEE PART NO. FOR REVISION LEVEL	BY	UNLESS OTHERWISE SPECIFIED - 1) DIMENSIONS ARE IN MILLIMETERS 2) TOLERANCES ARE:
-	9-27-10	NEW DRAWING [90488]	DDH	X.XX ± X.X ± X ANGLES ±
A	7-19-11	OIL FILTER, FUEL FILTER & COOLANT OVERFLOW BOTTLE RELOCATED & DIMENSIONS UPDATED; (C-3) 448 [17.65] DIM. ADDED [91292]	DDH	SURFACE FINISH MAX.
B	5-20-15	(A-4,1) KOHLER DIESEL WAS LOMBARDINI [CT110915]	SAM	THIRD ANGLE PROJECTION
C	10-17-16	(A-6) VIEW UPDATED TO SHOW NEW PUMP, 5/16" FUEL LINE CONNECTION WAS 1/4 NPT FUEL INLET [CT160235]	RVM	
			APPROVALS	DATE
			DDH	9-27-10
			DDH	9-27-10
			BMZ	9-27-10

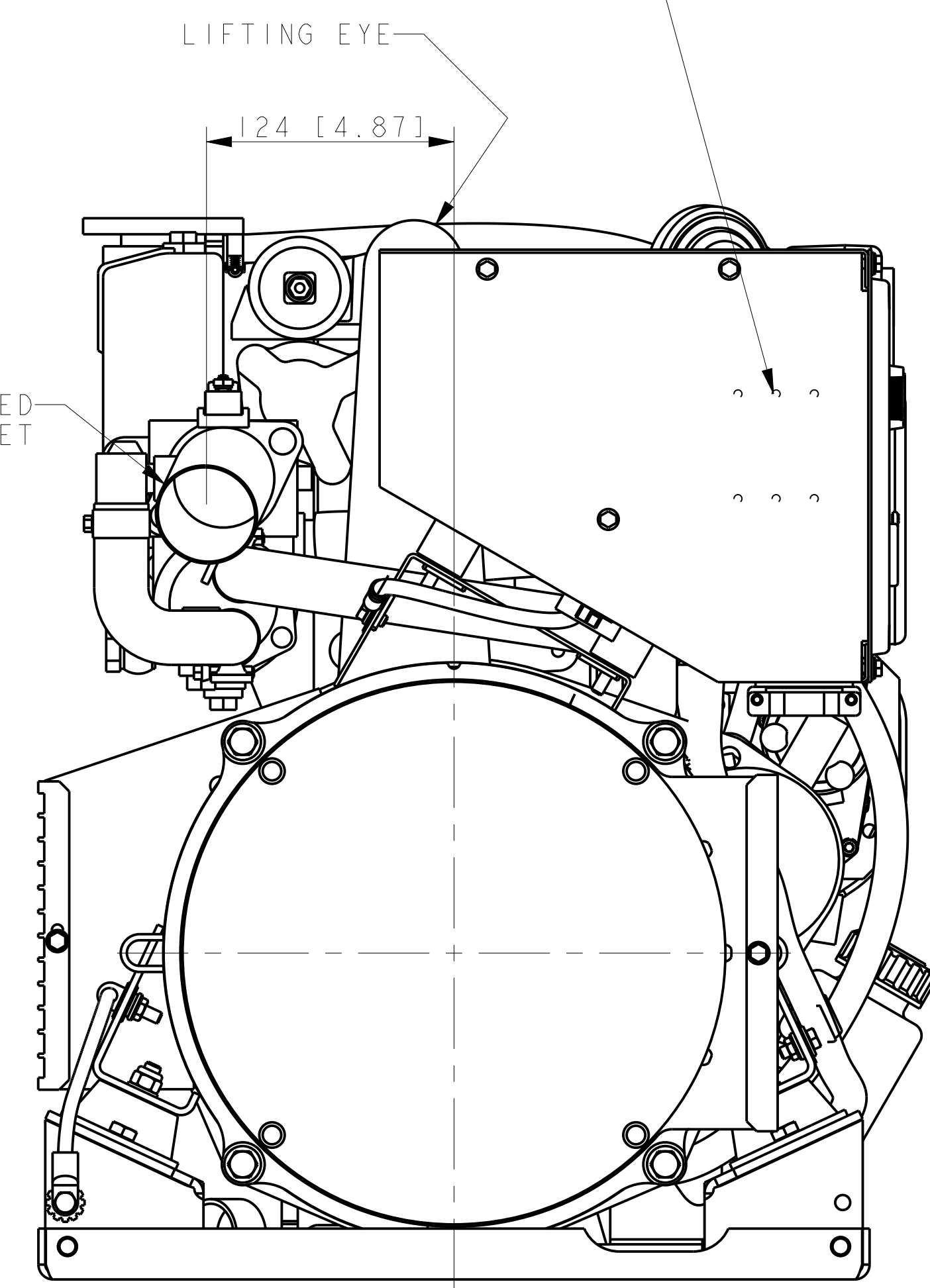
**KOHLER CO.** METRIC PRO-E  
POWER SYSTEMS, KOHLER, WI 53044 U.S.A.  
THIS DRAWING IN DESIGN AND DETAIL IS KOHLER CO. PROPERTY AND MUST NOT BE USED EXCEPT IN CONNECTION WITH KOHLER CO. WORK. ALL RIGHTS OF DESIGN OR INVENTION ARE RESERVED.

TITLE  
**DIMENSION PRINT, 9-11 KW KOHLER DIESEL**

SCALE 0.38 CAD NO. SHEET 1 of 2  
DWG NO. **ADV-7942**



OPTIONAL CIRCUIT BREAKER LOCATION  
(OPPOSITE SIDE OF JUNCTION BOX)



REV	DATE	ON COMPOSITE DWGS. SEE PART NO. FOR REVISION LEVEL	BY
-	9-27-10	NEW DRAWING [90488]	DDH
A	7-19-11	OIL FILTER, FUEL FILTER & COOLANT OVERFLOW BOTTLE RELOCATED & DIMENSIONS UPDATED [91292]	DDH
B	5-20-15	SEE SHEET 1 [CT110915]	SAM
C	10-17-16	SEE SHEET 1 [CT160235]	RVM

APPROVALS	DATE
DRAWN DDH	9-27-10
CHECKED DDH	9-27-10
APPROVED BMZ	9-27-10

UNLESS OTHERWISE SPECIFIED -  
1) DIMENSIONS ARE IN MILLIMETERS  
2) TOLERANCES ARE:  
X.XX ±  
X.X ±  
X ° ±

SURFACE FINISH  
MAX.

THIRD ANGLE PROJECTION

**KOHLER CO. METRIC PRO-E**  
POWER SYSTEMS, KOHLER, WI 53044 U.S.A.  
THIS DRAWING IN DESIGN AND DETAIL IS KOHLER CO. PROPERTY AND MUST NOT BE USED EXCEPT IN CONNECTION WITH KOHLER CO. WORK. ALL RIGHTS OF DESIGN OR INVENTION ARE RESERVED.

TITLE  
**DIMENSION PRINT, 9-11 KW KOHLER DIESEL**

SCALE 0.40 CAD NO. SHEET 2 of 2  
DWG NO. **ADV-7942**