



GEN-SEP™

Product Installation Guidelines

- Diesel Engine Version -




WARNING – These are **GUIDELINES ONLY** and are **NO GUARANTEE** of a properly designed and installed exhaust system. Centek's products are used in a variety of systems and applications. Therefore, it is impossible for Centek to provide specific installation instructions for all possible configurations of exhaust systems that may be incorporated on a marine vessel by the vessel manufacturer.

IT IS THE RESPONSIBILITY OF THE BOAT MANUFACTURER TO PROPERLY DESIGN AND INSTALL AN EXHAUST SYSTEM APPROPRIATE FOR THE VESSEL IT MANUFACTURES.

The Gen-Sep™ is made to be used in conjunction with the Vernalift™ Muffler and can be used for generators or for small propulsion engines. It is designed to withstand many times the normal operating pressures. This does not mean that it can withstand the extreme instantaneous pressures associated with back-fire. The Gen-Sep™ must be installed above the loaded waterline (LWL).

The guidelines for the Gen-Sep™ are as follows:

1. The Gen-Sep™ will take the place of the "loop" recommended for the outlet hose on the Vernalift™. It is designed to be bolted to a bulkhead. Install the unit no more than 4 feet above lift muffler and no less than 12" above LWL.
2. For sailboat applications, install the Vernalift™ and Gen-Sep™ as close to the center line of the engine as possible. This will minimize the possibility of cooling water return to the engine in severe angles of heel.
3. The water drain is the smallest pipe on the bottom of the Gen-Sep™. It can be exhausted above or below the LWL. The water drain line should be as short as possible.
4. For bottom-out models, the dry gas outlet should be mounted above LWL and must be angled downward (for bottom-exhaust models) as there will be a small amount of condensation in this line that needs draining.

-  5. Do not alter factory-installed mounting holes. Any modifications may result in exhaust leaks. Contact Centek for customized mounting holes.

For side-out or top-out models, the outlet hose may be positioned to drain condensation back into the Gen-Sep™.

Under no circumstances should there be a loop in the outlet hose that could collect condensation and impede the exhaust flow.

Rev. 7A

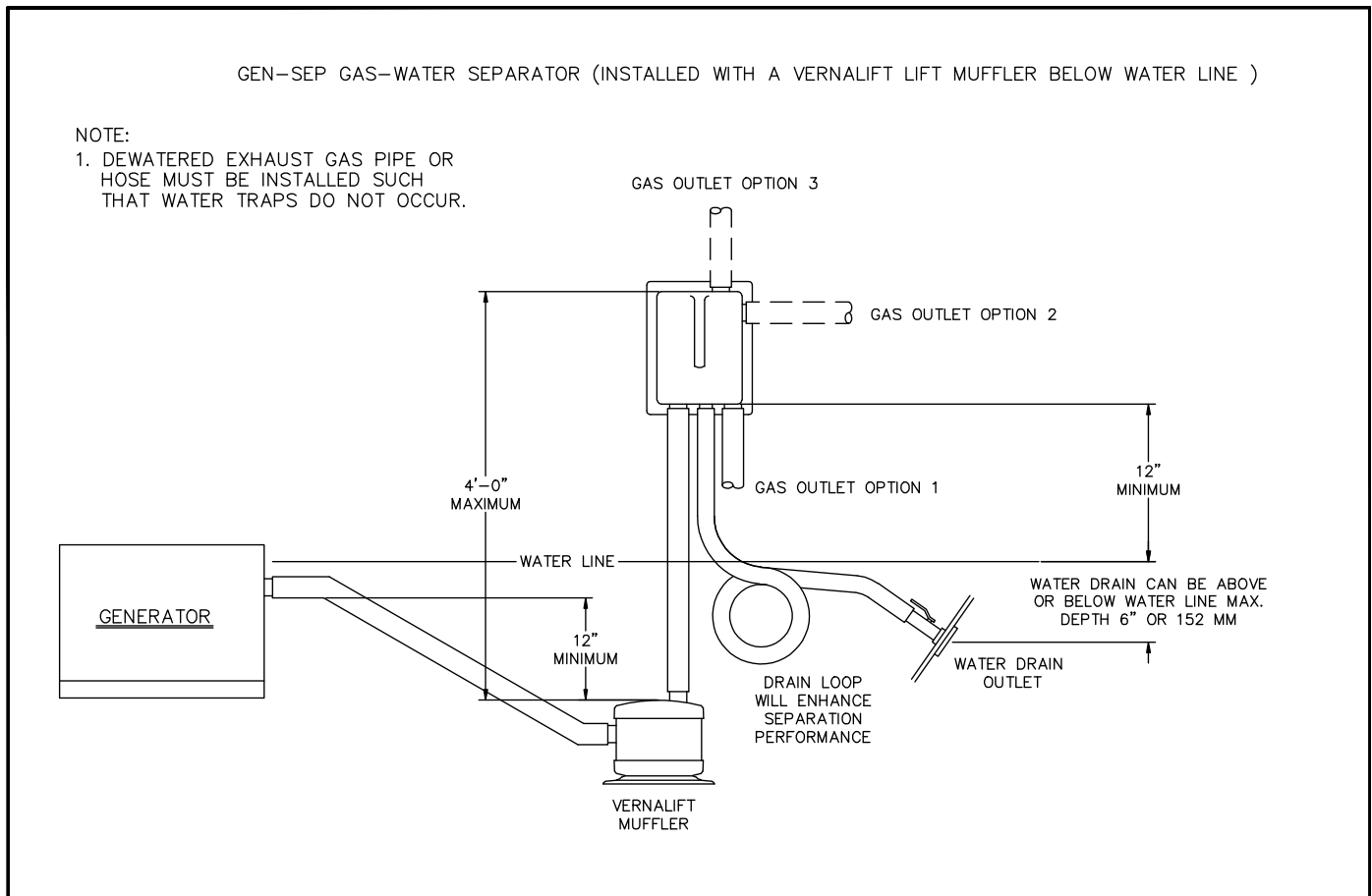
Centek Industries, Inc.
116 Plantation Oak Drive, Thomasville, GA 31792
(229) 228-7653
www.centekindustries.com

GEN-SEP™ - Diesel Engine Version - Product Installation Guidelines -



Warning! This Gen-Sep™ model is NOT intended for GASOLINE engines.

FIGURE 1



CENTEK 5-YEAR WARRANTY

Unless otherwise specified, Centek warrants its products for a period of five years from the date of original sale. This limited warranty is in lieu of all other expressed or implied warranties such as warranty of merchantability or fitness for a particular use or the results or effects of such use.

Centek's liability is limited to the replacement or repair of the Products and such liability will not exceed the original purchase price.

A full copy of all the terms and conditions of Centek's warranty is available online at www.centekindustries.com/warranty.pdf or will be furnished upon request.