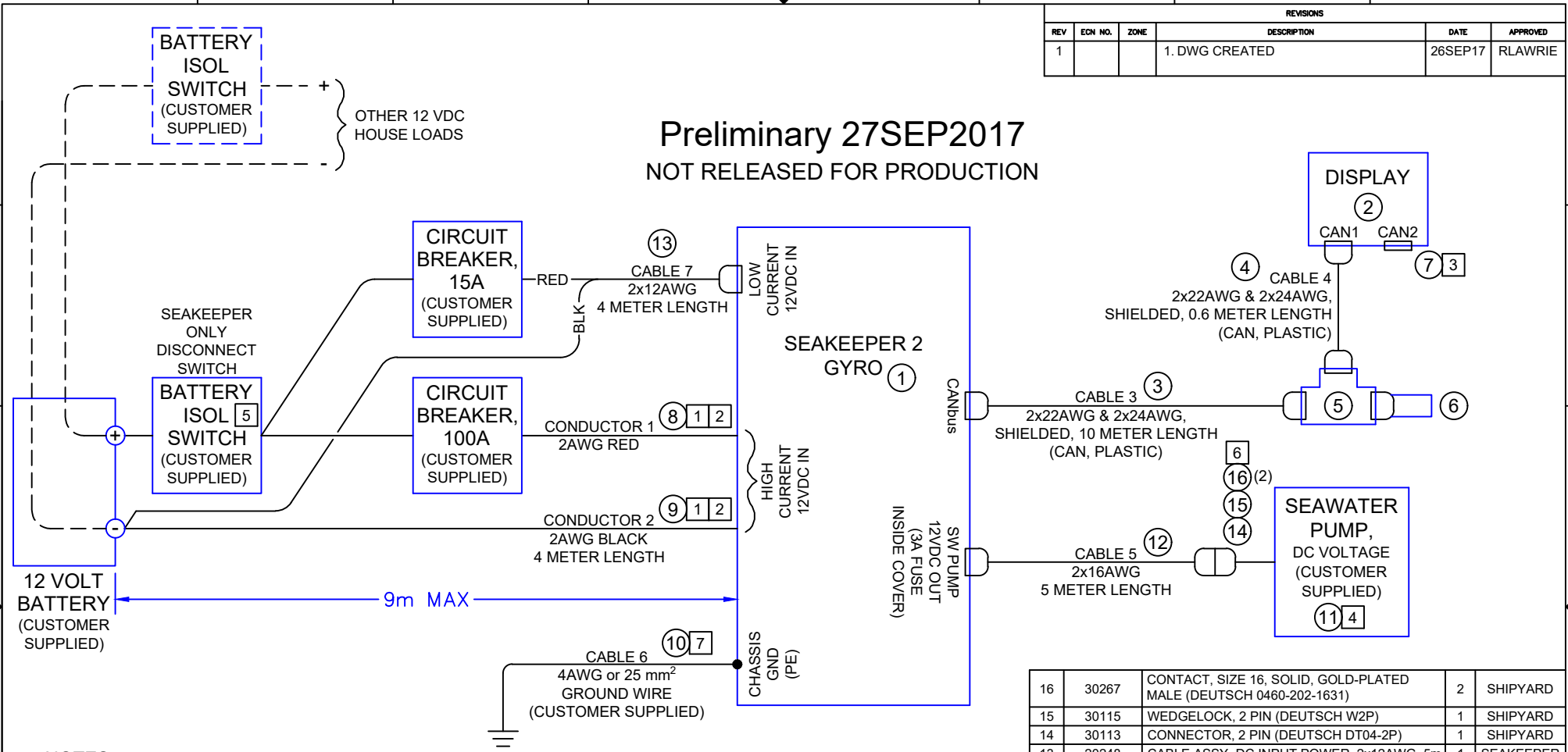


REVISIONS					
REV	ECN NO.	ZONE	DESCRIPTION	DATE	APPROVED
1			1. DWG CREATED	26SEP17	RLAWRIE

Preliminary 27SEP2017
NOT RELEASED FOR PRODUCTION



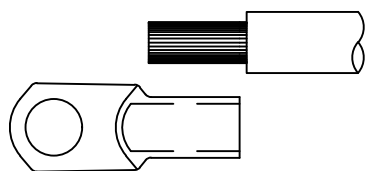
NOTES:

- 1 CONDUCTORS TO CONNECT THE HIGH CURRENT DC INPUT POWER (ITEMS 8 & 9) ARE SUPPLIED AS LENGTH 4m. APPROX 1m IS ROUTED ON THE GYRO FRAME. THE LOCATION CHOSEN FOR POWER DISTRIBUTION SHOULD TAKE THIS INTO CONSIDERATION. BIND PLUS (RED) & MINUS (BLACK) CONDUCTORS TOGETHER THROUGHOUT ENTIRE LENGTH AND DO NOT COIL. CONNECT DIRECTLY TO BATTERY TERMINALS THROUGH DEDICATED OVER-CURRENT PROTECTION AND DEDICATED ISOLATION SWITCH. CONDUCTORS 1 & 2 LENGTH MAY BE INCREASED, BUT CHANGING FROM 2AWG TO LARGER WIRE SIZE DOES NOT ALLOW LONGER LENGTH THAN 9m EACH. THE LENGTH LIMIT IS REQUIRED TO LIMIT THE INDUCTANCE FROM THE HIGH CURRENT CONDUCTORS. THIS COMPLIES WITH EN/IEC 60204-1 CLAUSES 12.4 & 12.5, ABYC E-11.14.2, AND USCG 33 CFR 183.430.
- 2 IF CRIMP TERMINAL LUGS ARE REQUIRED FOR 2AWG CONDUCTORS USE PREPARATION & CRIMPING INSTRUCTIONS ON SHEET 2.
- 3 CAN2 CONNECTOR ON DISPLAY IS FOR NMEA 2000 CONNECTION TO SEAKEEPER COMPATIBLE MULTI-FUNCTION DISPLAY.
- 4 DC POWERED SEAWATER PUMP (ITEM 11) IS CUSTOMER SUPPLIED.
- 5 THE BATTERY ISOL SWITCH IS TO BE DEDICATED TO THE SK2 GYRO. IF REMOTE BATTERY SWITCH IS USED SEE SHEET 2 FOR WIRING DETAILS.
- 6 INSTALL CONNECTOR PARTS, ITEMS 14-16, ON SEAWATER PUMP LEADS WITH CRIMP TOOL, DEUTSCH HDT-48-00 OR HDT-1561; PIN 1 TO +V AND PIN 2 TO -V.
- 7 CONNECT 4 AWG (25mm²) PE CONDUCTOR TO VESSEL GROUNDING BUS TO COMPLY WITH EN/IEC 60204-1 CLAUSE 6.3.3 AND ABYC E-11.5.4.

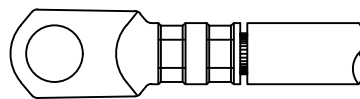
16	30267	CONTACT, SIZE 16, SOLID, GOLD-PLATED MALE (DEUTSCH 0460-202-1631)	2	SHIPYARD
15	30115	WEDGELock, 2 PIN (DEUTSCH W2P)	1	SHIPYARD
14	30113	CONNECTOR, 2 PIN (DEUTSCH DT04-2P)	1	SHIPYARD
13	20248	CABLE ASSY, DC INPUT POWER, 2x12AWG, 5m	1	SEAKEEPER
12	20334	CABLE ASSY, DC PUMP POWER, 2x16AWG, 5m	1	SEAKEEPER
11		SEAWATER PUMP, 12 VDC, 3 A MAX	1	SHIPYARD
10		WIRE, MARINE, 4 AWG (25 mm ²), GREEN	A/R	SHIPYARD
9	20336	CONDUCTOR, MARINE, 2AWG, BLACK, 4m	1	SEAKEEPER
8	20335	CONDUCTOR, MARINE, 2AWG, RED, 4m	1	SEAKEEPER
7	30246	WATERPROOF CAP, CAN, MALE	1	SEAKEEPER
6	30249	TERMINATOR, CAN, 120 OHM, FEMALE	1	SEAKEEPER
5	30244	TEE ADAPTER, CAN, 3-WAY, F-M-F	1	SEAKEEPER
4	30301	CABLE, CAN, FEMALE-MALE, 0.6m (2 ft)	1	SEAKEEPER
3	30295	CABLE, CAN, FEMALE-MALE, 10m	1	SEAKEEPER
2	30304	5" TOUCH DISPLAY LOW COST VERSION	1	SEAKEEPER
1	90469	SEAKEEPER 2 HARDWARE SCOPE OF SUPPLIES	1	SEAKEEPER

ITEM	SEAKEEPER PART NO.	DESCRIPTION	QTY	SUPPLY
DRAWN		NAME	DATE	44425 PECAN COURT, SUITE 151 CALIFORNIA, MARYLAND 20619, USA PH: (410) 326-1590 FAX: (410) 326-1199
CHECKED		SOOSS	26SEP17	
ENG APPR.		BLAWRIE	02OCT17	
COMMENTS:				
TITLE				SEAKEEPER 2 GYRO CABLE BLOCK DIAGRAM
SIZE	DWG NO.	REV		
C	90740	1		
SCALE		N/A	WEIGHT	N/A
			SHEET	1 OF 2

2
CRIMPING INSTRUCTIONS



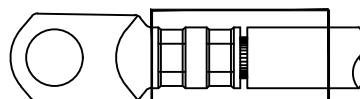
1. USE HEAVY-DUTY EYELET (CLOSED END) TERMINAL SUCH AS MOLEX 19221-0235. STRIP INSULATION FROM 2AWG CONDUCTOR TO THE LENGTH OF THE TERMINAL BARREL, APPROXIMATELY AS SHOWN.



2. INSERT STRIPPED END OF 2AWG CONDUCTOR FULLY INTO BARREL OF HEAVY-DUTY EYELET (CLOSED END) TERMINAL, APPROXIMATELY AS SHOWN.



3. CRIMP WITH QUICK CABLE 4245 CUB CRIMP TOOL OR EQUIVALENT, DOUBLE CRIMP, AS SHOWN.

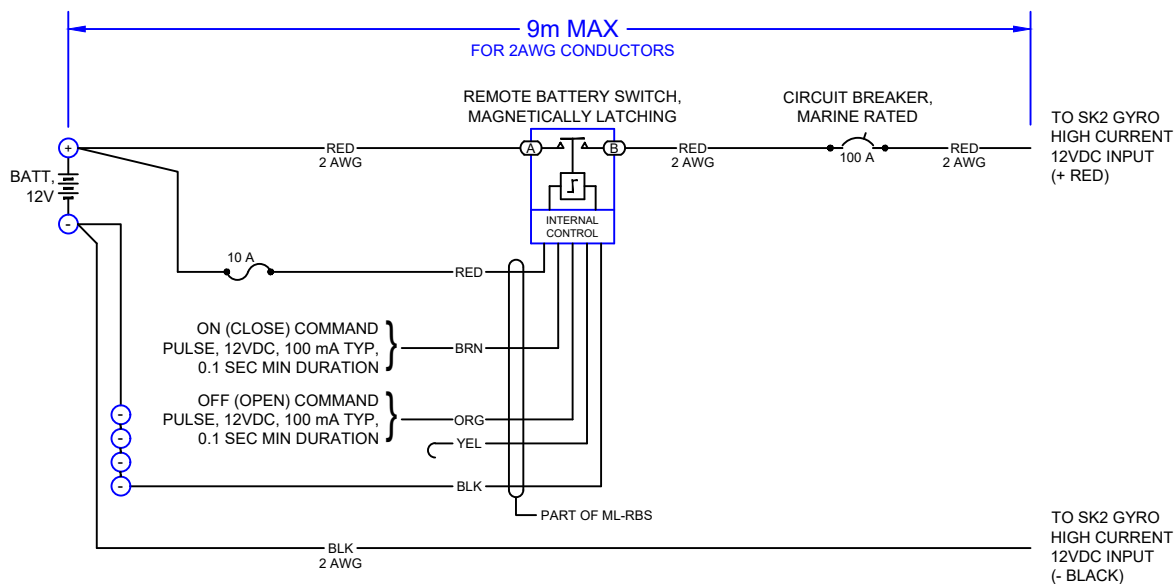


4. THE RESULTANT CRIMP(S) SHOULD FULLY ENCLOSE AND CONFINE THE CONDUCTOR STRANDS FROM ALL SIDES AND WITHSTAND AN AGGRESSIVE, MANUAL PULL TEST.

5. INSTALL APPROXIMATELY 1.5 INCH OF DOUBLE WALL (ADHESIVE LINED) HEAT SHRINK TUBING OVER BOTH THE TERMINAL BARREL AND THE CONDUCTOR INSULATION. HEAT SHRINK IN PLACE UNTIL TUBING CONFORMS TO BARREL AND CONDUCTOR SHAPE AND ADHESIVE SEALS THE JUNCTION.

Preliminary 27SEP2017
NOT RELEASED FOR PRODUCTION

5
REMOTE BATTERY SWITCH WIRING DETAILS



ML-RBS WITH TINNED WIRE TERMINATION
REMOTE BATTERY SWITCH, MAGNETICALLY LATCHING, 12V: BLUE SEA SYSTEMS 7700

SIZE C	DWG NO. 90740	REV 1
SCALE N/A	WEIGHT N/A	SHEET 2