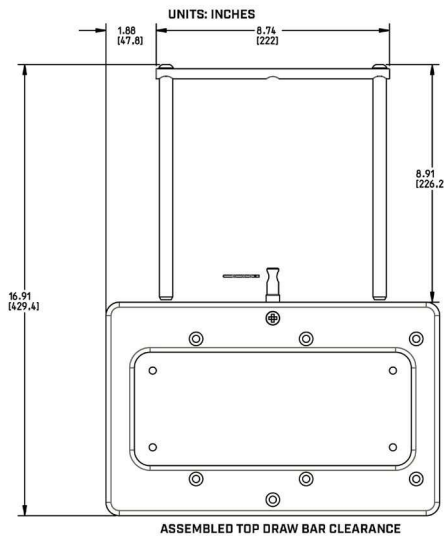
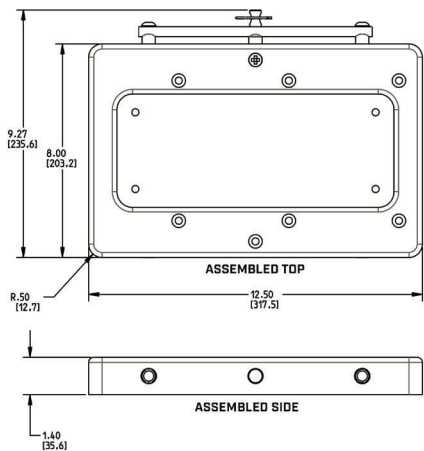
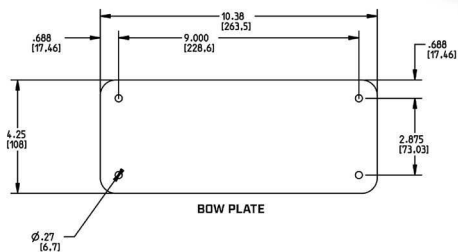




# RTA-54 MOUNTING DIMENSIONS



NOTE: Figure is NOT to scale

FOR MORE INFORMATION, VISIT [MINNKOTAMOTORS.COM](http://MINNKOTAMOTORS.COM)