

NOTE
DIMENSIONS IN []
ARE INCH EQUIVALENTS.

TIER III
40EFOZDJ
50EFOZDJ
55EOZDJ/45EFOZDJ
65EOZDJ/55EFOZDJ
JOHN DEERE MARINE

REV	DATE	ON COMPOSITE DWGS. SEE PART NO. FOR REVISION LEVEL	BY	UNLESS OTHERWISE SPECIFIED - 1) DIMENSIONS ARE IN MILLIMETERS
-	1-29-13	NEW DRAWING [CT36613]	BTS	
A	1-29-14	(B-8) 860 [33.86] WAS 782 [30.79] [CT67146]	DDH	
B	10-9-17	(D-40 4X PRIMARY WAS 1X SECONDARY. (C-4) 4X SECONDARY WAS 1X PRIMARY. (C-3) 720 WAS 738 & 362 WAS 375 DUE TO CORRECTION [CT179950]	AJW	
C	29APR2020	SEE SHEET 2 [CT203725]	TKK	

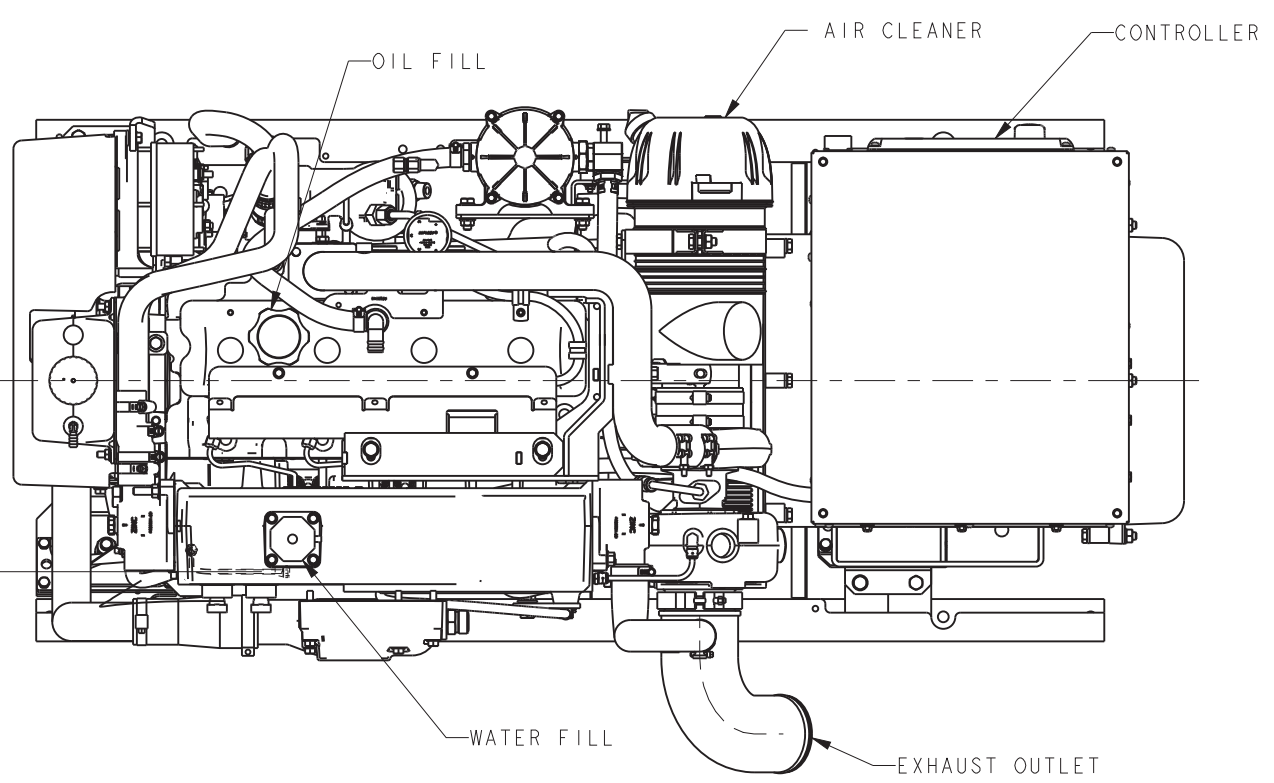
KOHLER CO. METRIC PRO-E
POWER SYSTEMS, KOHLER, WI 53044 U.S.A.
THIS DRAWING IN DESIGN AND DETAIL IS KOHLER CO. PROPERTY AND MUST NOT BE USED EXCEPT IN CONNECTION WITH KOHLER CO. WORK. ALL RIGHTS OF DESIGN OR INVENTION ARE RESERVED.

TITLE
DIMENSION PRINT, 55-65EOZDJ JD MARINE

SCALE 0.20 CAD NO. SHEET 1 of 2
DWG NO. **ADV-8501**

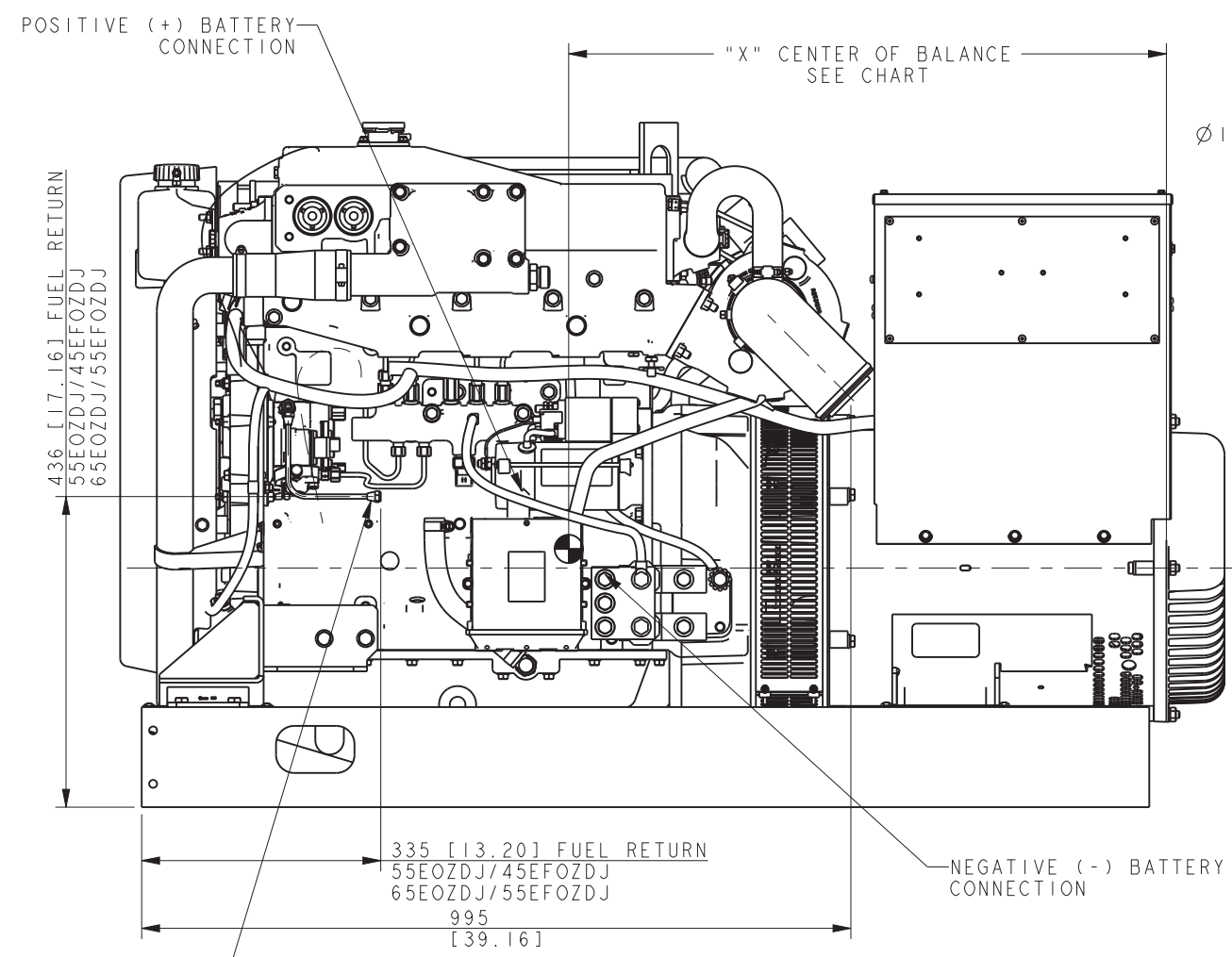
APPROVALS
DRAWN: BTS 1-29-13
CHECKED: DDH 1-29-13
APPROVED: JAL 1-29-13

253 [9.95] FUEL RETURN
55EOZDJ/45EFOZDJ
65EOZDJ/55EFOZDJ

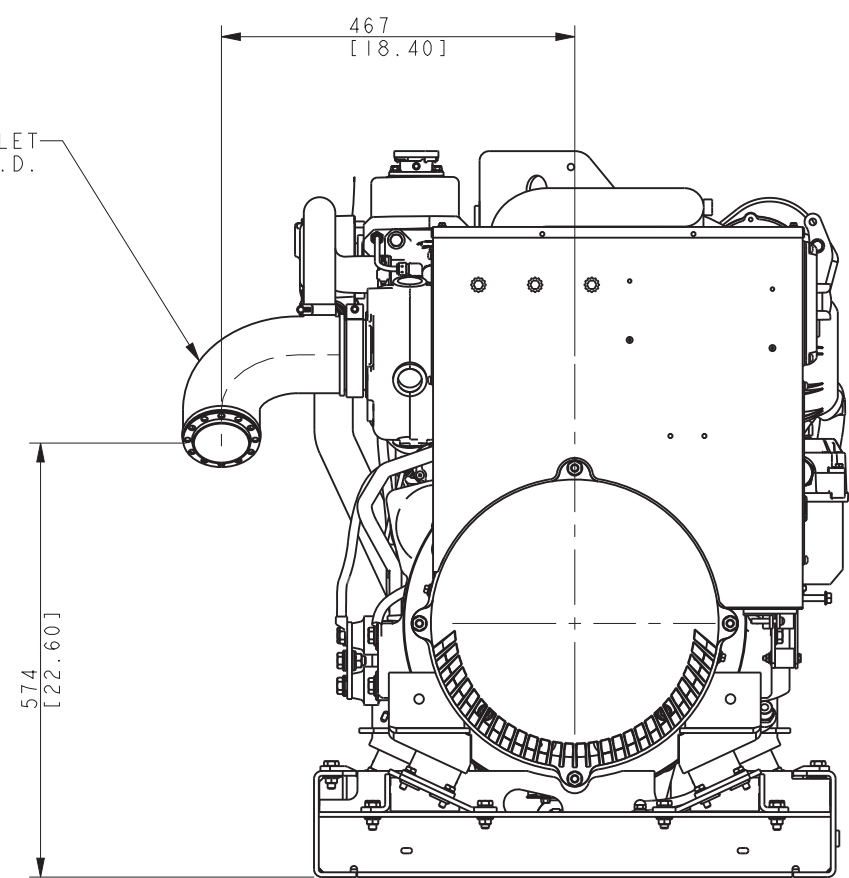


MODEL	WEIGHT		C.O.B. (DIM "X")
	WET - KG [LBS]	DRY - KG [LBS]	MM [IN]
40EFOZDJ	971 [2140]	943 [2080]	851 [33.50]
50EFOZDJ	1005 [2216]	978 [2156]	838 [33.00]
55EOZDJ/45EFOZDJ	961 [2119]	934 [2059]	834 [32.80]
65EOZDJ/55EFOZDJ	996 [2195]	969 [2135]	866 [34.10]

NOTE
C.O.B. DIMENSIONS ARE FROM REAR
OF ALTERNATOR END BRACKET



EXHAUST OUTLET
Ø102 [4.00] O.D.



FUEL RETURN
1/2-24 UNS
FEMALE THREAD

REV	DATE	ON COMPOSITE DWGS. SEE PART NO. FOR REVISION LEVEL	BY	UNLESS OTHERWISE SPECIFIED - 1) DIMENSIONS ARE IN MILLIMETERS 2) TOLERANCES ARE:
-	1-29-13	NEW DRAWING [CT36613]	BTS	X.XX ± 0.25
A	1-29-14	SEE SHEET 1 [CT67146]	DDH	X.X ± 1.0
B	10-9-17	SEE SHEET 1 OF 2 [CT179950]	AJW	X ± 1.5
C	29APR2020	(D-2,3,4) WEIGHT AND C.O.B. VALUES FOR 55EOZDJ/45EFOZDJ AND 65EOZDJ/55EFOZDJ UPDATED [CT203725]	TKK	ANGLES ± 0° 30' MAX.
				THIRD ANGLE PROJECTION
				APPROVALS
				DATE
				DRAWN BTS 1-29-13
				CHECKED DDH 1-29-13
				APPROVED JAL 1-29-13

KOHLER CO. METRIC PRO-E
POWER SYSTEMS, KOHLER, WI 53044 U.S.A.
THIS DRAWING IN DESIGN AND DETAIL IS KOHLER CO.
PROPERTY AND MUST NOT BE USED EXCEPT IN
CONNECTION WITH KOHLER CO. WORK. ALL RIGHTS OF
DESIGN OR INVENTION ARE RESERVED.

TITLE
DIMENSION PRINT, 55-65EOZDJ JD MARINE

SCALE 0.20 CAD NO. SHEET 2 of 2
DWG NO. **ADV-8501**