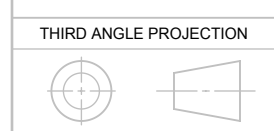
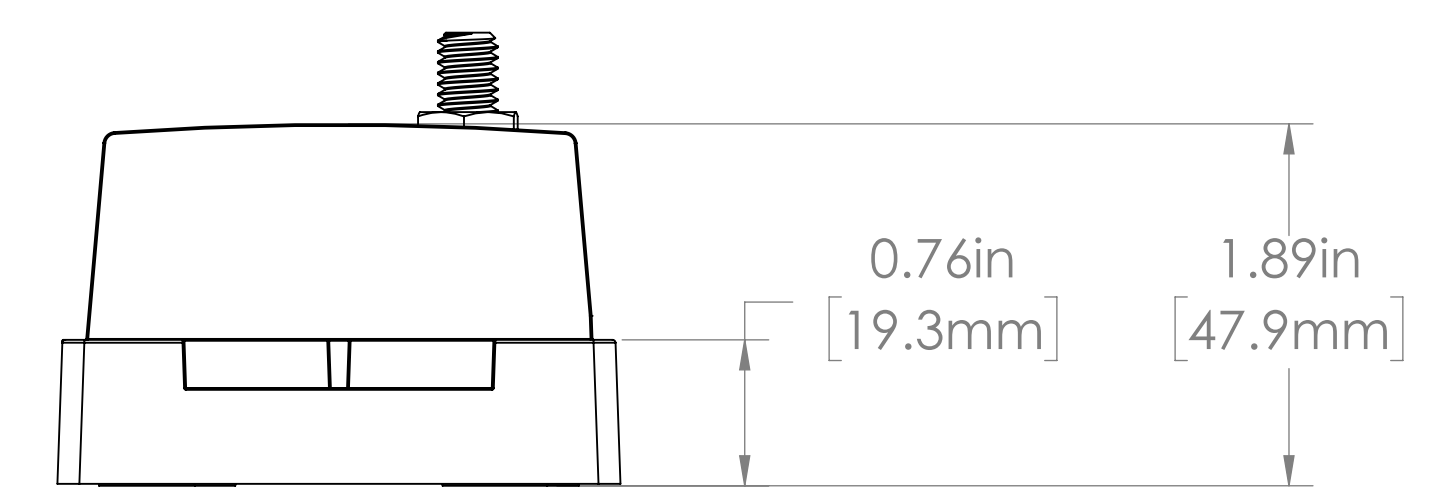
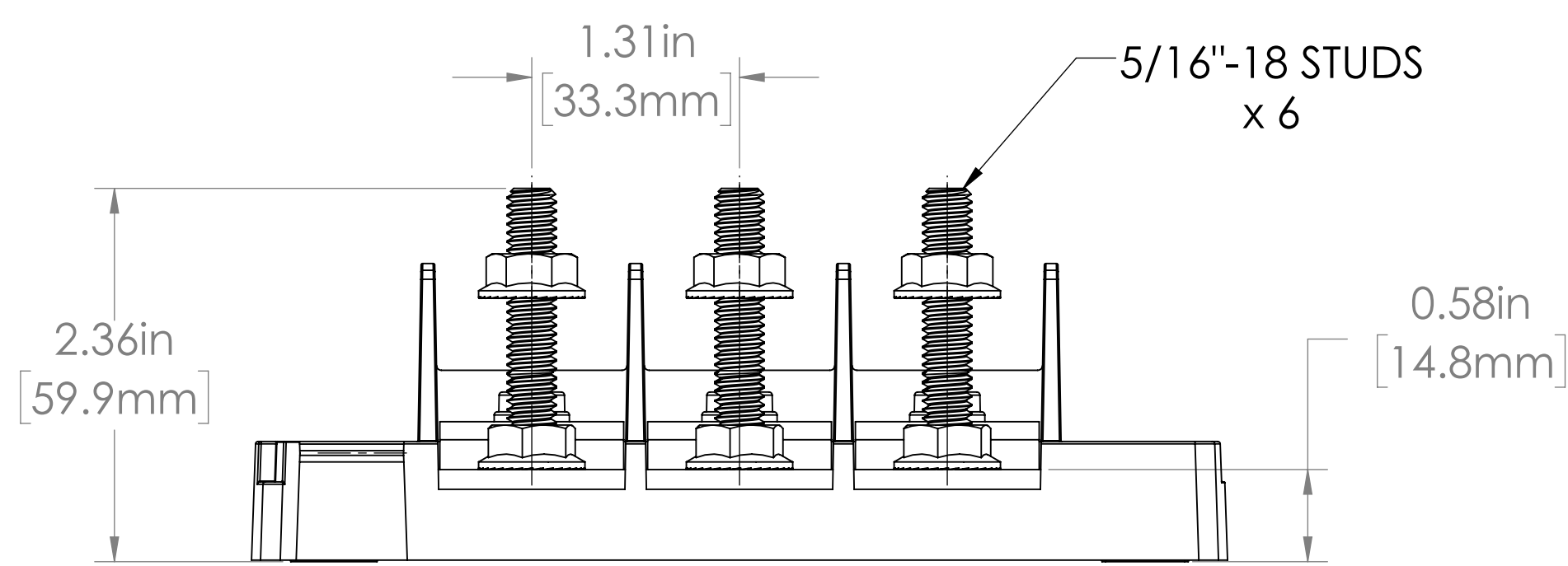
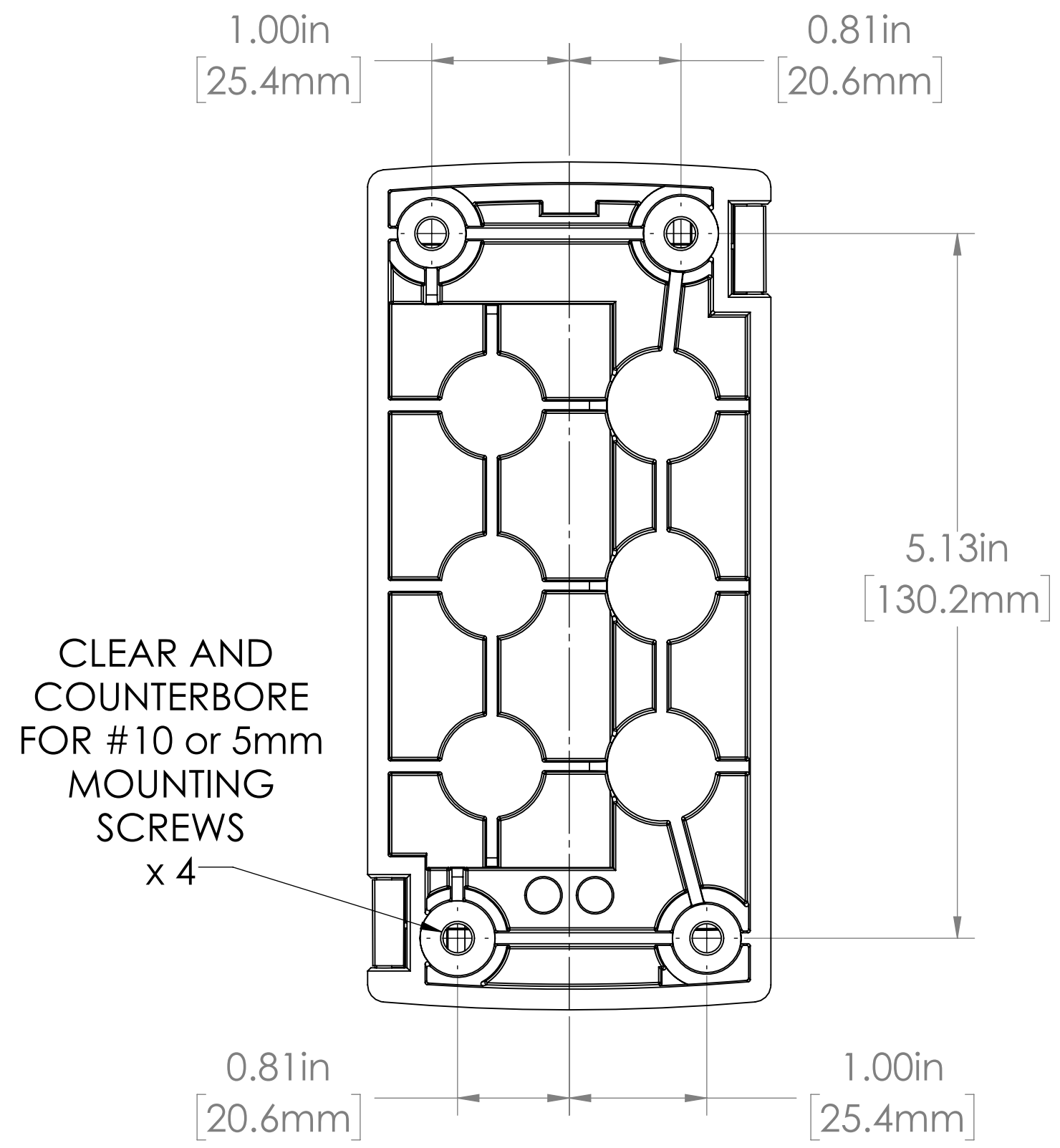
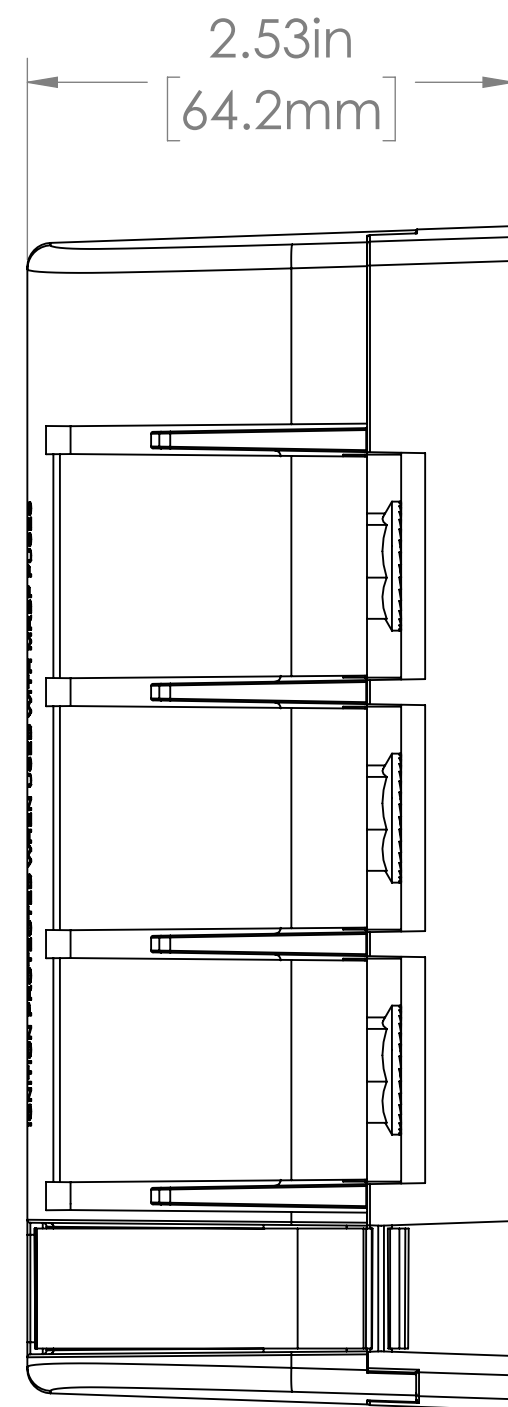
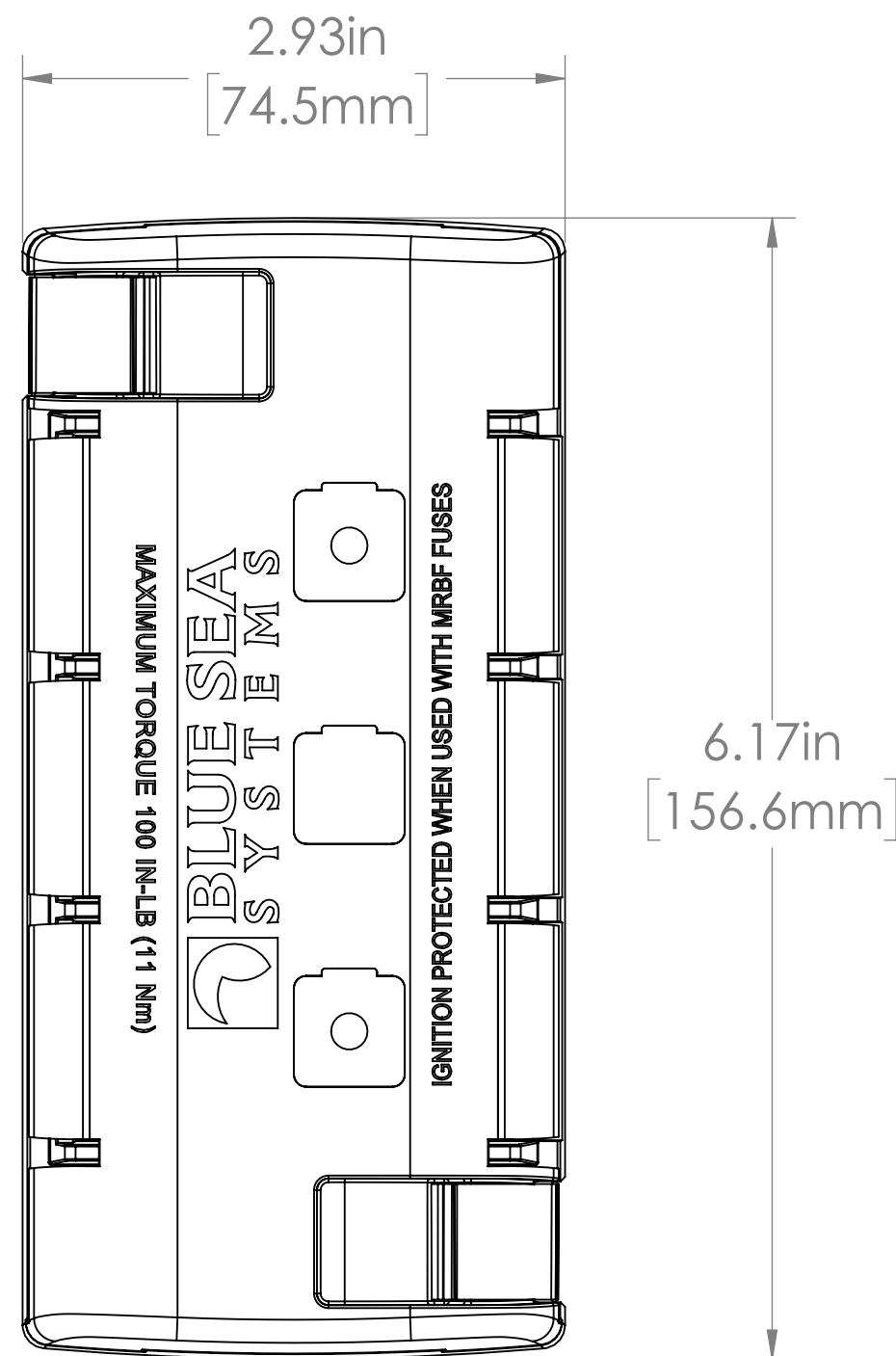



THIS DRAWING AND THE INFORMATION CONTAINED WITHIN IT ARE CONFIDENTIAL AND MAY NOT BE COPIED OR DISCLOSED WITHOUT THE WRITTEN PERMISSION OF BLUE SEA SYSTEMS.



NAME	DATE
DRAWN J. RAU	2016.09.28
CHECKED -	-
-	-
-	-
-	-
COMMENTS:	
-	



425 Sequoia Drive Bellingham, WA 98226
Phone (360)738-8230 Fax (360)734-4195

Part Number 5194

SIZE	DWG. NO.	REV.
C	5194-3 Fuse Block MRBF 3 Cir Independent	3
SCALE 1:1	WEIGHT: POUNDS	SHEET 1 OF 1