



NEW

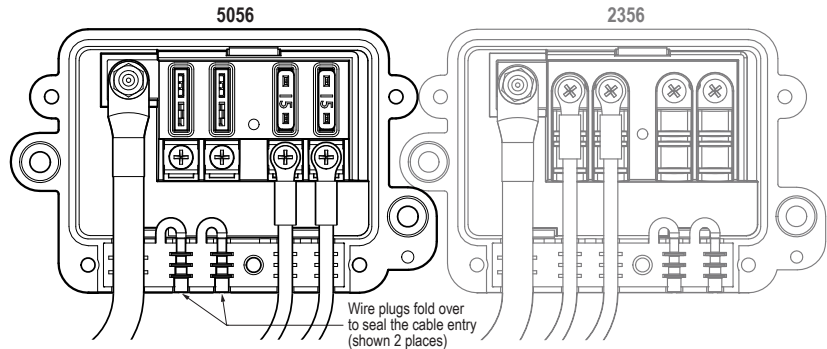
Water-Resistant ST-BLADE FUSE BLOCK

Provides water-resistant circuit protection for ATO®/ATC® fuses & circuit breakers in a compact space. Single side design allows for wire entry from one side to minimize footprint

- Water-resistant design, rated IP66
- Accepts standard ring or fork type terminals to allow for simple wiring with standard tools
- Includes 4 wire plugs to maintain water resistant rating if less than 4 loads are required
- Accepts ATO and ATC fast-acting blade fuses
- Accepts ATO/ATC-Style Low Profile Circuit Breakers
- Nests with other Water-Resistant ST-Blade Fuse Blocks (5056) and Water-Resistant 100A BusBars (2356)
- Insulating cover meets ABYC/USCG insulation requirements
- Tin-plated copper busses and fuse clips
- Includes four write-on circuit labels
- Small format standard and custom labels available
- Spare fuse and fastener storage in cover
- Fuses and circuit breakers sold separately



PN	Description
5056	Water-Resistant ST-Blade Fuse Block



Nested Water-Resistant Fuse Block (5056) and Water-Resistant BusBar (2356)

TECH tip™

Water-Resistant ST-Blade Fuse Block

The Blue Sea Systems' new Water-Resistant ST-Blade Fuse Block is rated IP66 and can withstand water from heavy seas or projected in powerful jets, allowing for flexible installations anywhere on boats and vehicles. It is rated up to 80A continuous for the entire fuse block or up to 25A continuous per circuit. It can be used as a standalone fuse block, or nested with Blue Sea Systems' new Water-Resistant BusBar which provides consolidated wire management when mounted side by side (reference nesting image). The taller cover on the fuse block accommodates installation of ATO/ATC fuses as well as Blue Sea Systems' new line of push-to-reset ATO/ATC-style circuit breakers, which gives the benefit of having resettable circuit protection in a compact footprint.

Related Products



ATO or ATC Fuses



easyID ATC Fuses



ATO/ATC Style Circuit Breakers
(See back)



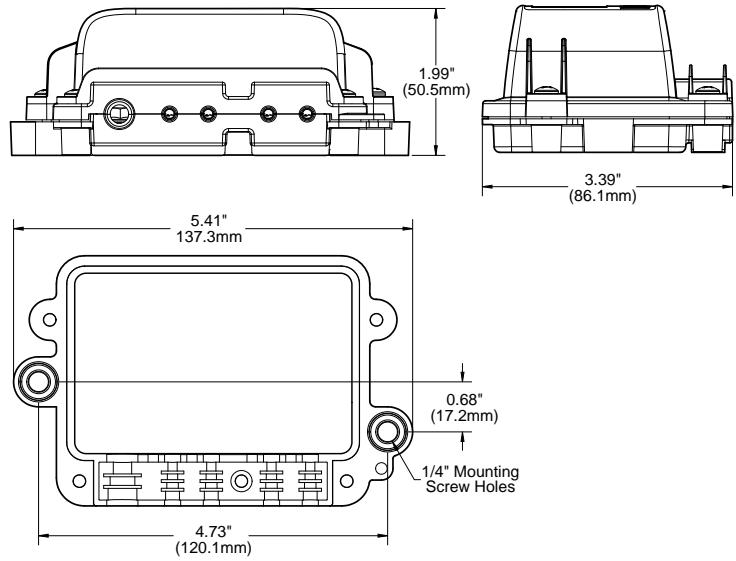
Water-Resistant
100A BusBar

Specifications

Voltage Max. Operating	32V DC
Amperage Max. Operating	80A per block / 25A per circuit
Fuse Type	ATO or ATC Fuses, or circuit breakers
Input Wire Size	(1) 8 AWG to 4 AWG
Load Wire Size	(4) 16 AWG to 10 AWG
Bus Material	Tin-Plated Copper C11000
Mounting Thru-hole	Clearance for 1/4" (6mm) screws
Screw Terminal	#8-32 Screws with captive star lock washer

Regulatory

IP66 - protected against powerful water jets
CE Certified



ATO®/ATC® - Style Low Profile Circuit Breakers **NEW**

Use a manually resettable circuit breaker instead of an ATO or ATC fuse

- Drop in replacement for ATO and ATC blade style fuses
- Manual push button reset complies with ABYC circuit protection requirements
- Compatible with Water-Resistant ST-Blade Fuse Block with cover secured (5056)
- Compatible with all other ST-Blade Fuse Blocks without cover (5037, 5033, 5030, 5034 & 5031)



**IGNITION
PROTECTED**

Specifications

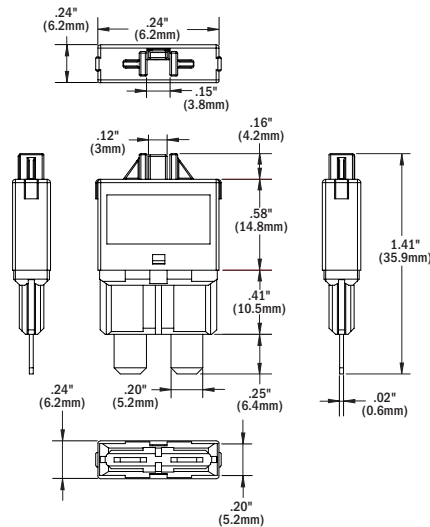
Interrupting Capacity	2,000A @ 28V DC
Voltage Max. Operating	32V DC
Temperature Min. Operating	-40°C (-40°F)
Temperature Max. Operating	85°C (-185°F)
Type	Thermal trip, manual reset
Trip Time Delay	See bluesea.com

Regulatory

SAE J553, ISO 10924-4, UL 1500, SAE J1171, Ignition Protected

**IGNITION
PROTECTED**

PN	Amps	Color	Retail Pack
7062	5A	LT. Brown	2
7063	7.5A	Brown	2
7064	10A	Red	2
7065	15A	Blue	2
7066	20A	Yellow	2
7067	25A	White	2
7068	30A	Green	2



**BLUE SEA
SYSTEMS**

4600 Ryzex Way
Bellingham, WA 98226 USA
p 360.738.8230
www.bluesea.com
980035770 Rev.001