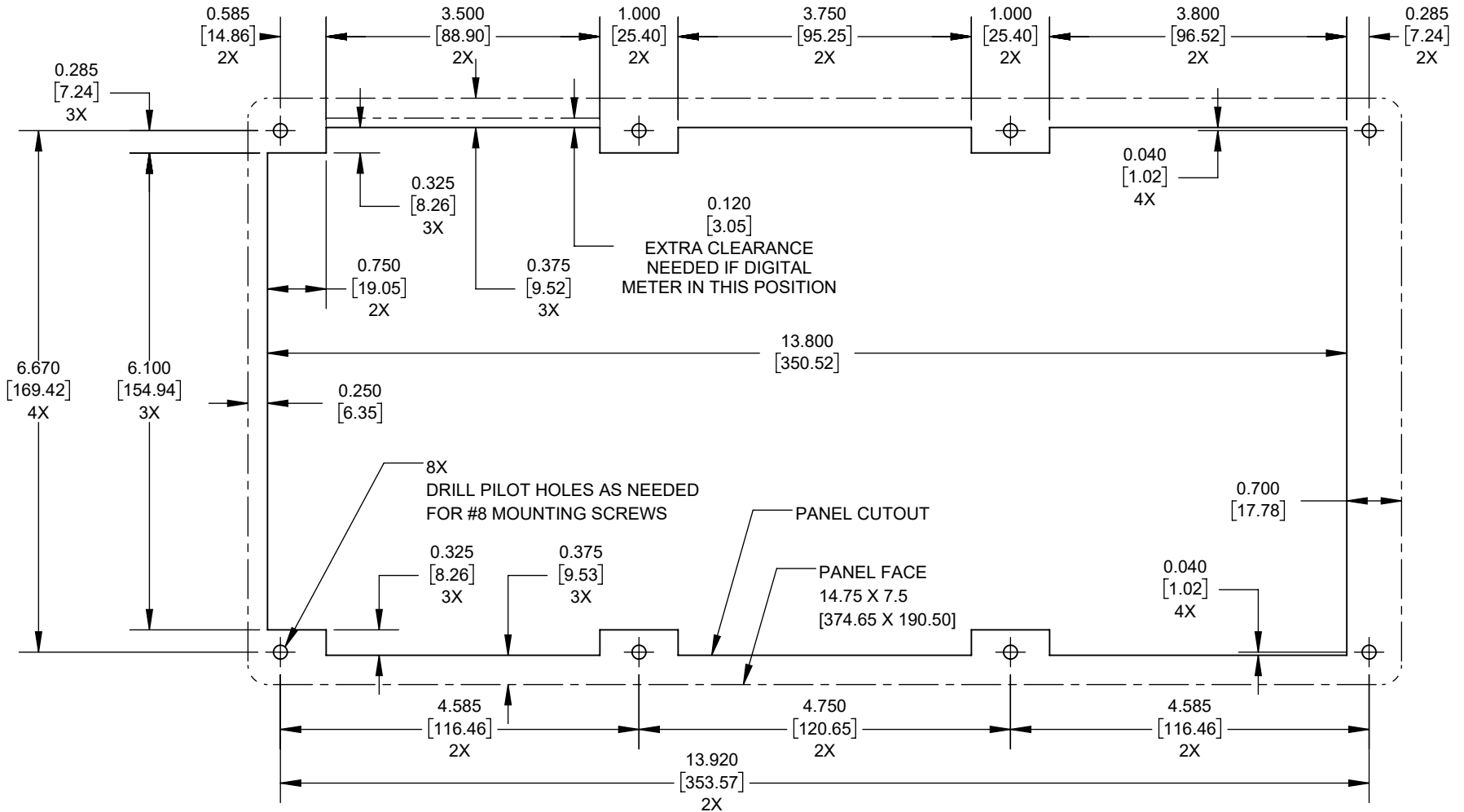


THIS DRAWING AND THE INFORMATION CONTAINED WITHIN IT ARE CONFIDENTIAL AND MAY NOT BE COPIED OR DISCLOSED WITHOUT THE WRITTEN PERMISSION OF BLUE SEA SYSTEMS.



DIMENSIONS ARE SHOWN IN INCHES AND [MILLIMETERS] UNSPECIFIED TOLERANCES ARE:

ANGLES	INCH	MM
±0°30'	.0000±.002	.000±.051
	.000±.005	.00±.127
	.00±.010	.0±.254

MATERIAL	--
FINISH	--
DO NOT SCALE DRAWING	

	NAME	DATE
DRAWN	S. SCHANKEN	2016.6.27
CHECKED	-	-
-	-	-
-	-	-
-	-	-

COMMENTS:

BLUE SEA SYSTEMS

425 Sequoia Drive Bellingham, WA 98226
Phone (360)738-8230 Fax (360)734-4195

PANEL CUTOUT DIMENSIONS FOR 24 POSITION PANELS
Part Number 8700

SIZE	DWG. NO.	REV.
A	8700	001
SCALE 1:2	WEIGHT: --	SHEET 1 OF 1

THIRD ANGLE PROJECTION

