



Get it right, from the start.
A great audio system begins with a great source unit.



JL AUDIO® | How we play.®



MediaMaster 105

Take charge of your audio experience.



The MediaMaster® 105 source unit puts audio performance first, with an audiophile-quality preamp output architecture, ideal for use with JL Audio marine amplifiers. A full, modern feature set allows you to easily connect your personal devices, for maximum flexibility and convenience.

MediaMaster® source units are also built to withstand anything Mother Nature can dish out, with a certified IP67 rating and materials designed to withstand real saltwater environments and extended UV exposure.

We also paid attention to ergonomics and optics in marine applications. A big, super-bright, full color display makes things legible in daytime, but also has a customizable night-mode to preserve your night vision. We also know that the intuitive user interface with large, legible text and oversized backlit controls will be very welcome when your boat is in motion and you need to make an adjustment. For maximum versatility, the MM105 is also NMEA 2000® Certified and compatible with many existing vessel networks.

Wherever your adventures may take you, let the MM105 be the source of your soundtrack.



Built-in HD Radio™ Tuner:

Digital HD Radio Technology delivers clean, crystal-clear sounds from your favorite AM/FM stations (no subscription required).. A marine radio antenna is required (sold separately).



Worldwide Radio Ready:

Built-in DAB+ Digital Radio, plus multi-continent tuner settings, ensures continuous radio delight from anywhere on the planet.



Dual Auxiliary Inputs:

Two pairs of analog audio inputs permit connection of any audio source with stereo analog outputs.



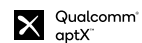
NMEA 2000® Certified:
MFD (Multi-Function Display) control functionality via existing vessel networks (Refer to MFD manufacturer for compatibility info.)



Weatherproof Design:
IP67 rated and built to withstand the elements.



The music starts here:



Play music straight from your connected USB storage device and use the MM105 to control playback.

Enjoy full USB control of your compatible iPhone, with full album art and support of songs, artists, playlists and more.



Stream wirelessly via Bluetooth® and use the MM105 to control track selection and play/pause.



USB 1 Input and Charging:

USB 2.0 direct-digital connection for your iPhone® or USB storage device. (1A charging capacity)

USB 2 Input and Charging:

USB 2.0 direct-digital connection for your media player or USB storage device. (500mA charging capacity)

Bluetooth® Audio Streaming:

Allows a Bluetooth® equipped smartphone or portable media device to stream music wirelessly to the boat's audio system. MediaMaster® 105 will control Play/Pause and Track Up/Down functions wirelessly via Bluetooth®.



Advanced Qualcomm® aptX™ audio codec delivers maximum audio fidelity from compatible Bluetooth® streaming devices.

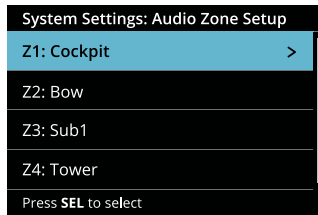
Intuitive Interface

- Easy-to-read, high-brightness, 3.5-inch full-color LCD display
- Intuitive interface with large text for easy legibility while in motion
- Easy-to-use, large controls for marine/powersports applications
- Day/Night lighting modes with user-defined display brightness, button brightness, remote brightness and display themes

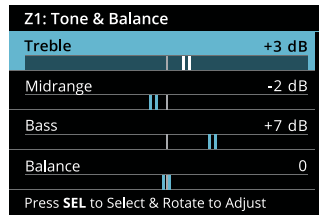


Four Versatile Audio Zones

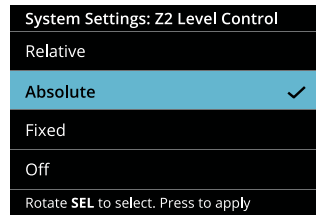
Customize each zone to your specific audio system and vessel layout



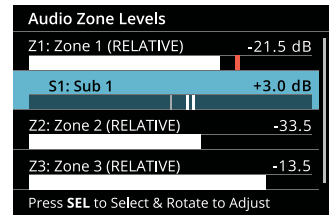
Choose a preset name, or create your own for each Audio Zone, and then configure each zone to operate just the way you want.



Operate each Audio Zone with its own tone and balance controls, or run them all from the main zone tone controls.



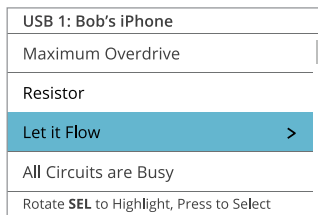
Choose one of three Level Control modes for each Zone, or turn a Zone off completely.



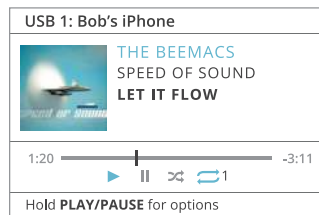
Main Audio Zone screen lets you see all the Audio Zone levels, making it easy to adjust output levels, even when you are on the move.

Customizable Display Themes

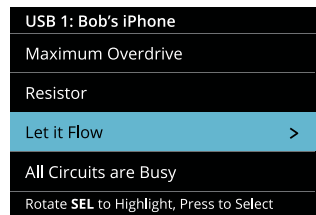
Screens shown with iPhone connected via USB 1



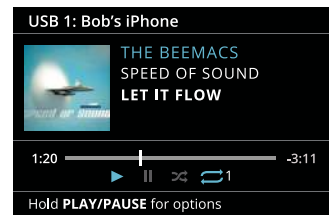
Display Theme 1, optimized for Day Mode



Hold **PLAY/PAUSE** for options



Display Theme 2, optimized for Night Mode



Hold **PLAY/PAUSE** for options

MediaMaster® Remote Controller Options



MediaMaster® MMR-40
Full-Function NMEA 2000® Network Controller with Full-Color LCD Display



MMR-20-BE Wired Remote



MMR-5N2K
NMEA 2000® Volume Controller



MMC-Remote Cable Connection

MediaMaster® Accessories

MMR-40 Wired Network Controller

- NMEA 2000® Network Controller with Full-Color LCD display for all MediaMaster® source units

MMR-20 Round Wired Remote

- Wired, non-display remote for all MediaMaster® source units

MMR-5N2K Network Volume Controller

- NMEA 2000® Volume Controller

MMC-6 Remote Cable

- 6-foot cable for MMR-20-BE

MMC-25 Remote Cable

- 25-foot cable for MMR-20-BE

MMC-2Y Remote Cable Y-Splitter

- Y-adaptor cable for MMC-6 and MMC-25 remote cables

MMC-PN2K-6 Powered Network Cable

- 6-foot cable for MMR-40 or MMR-5N2K (simulates an isolated, stand-alone NMEA2000® network)

MMC-PN2K-25 Powered Network Cable

- 25-foot cable for MMR-40 or MMR-5N2K (simulates an isolated, stand-alone NMEA2000® network)

MMP-1-BK Mounting Adaptor Plate

- Adaptor plate for new and retrofit MM105 installations

MMP-2-BK Mounting Adaptor Plate

- Adaptor plate for new and retrofit MM50 and MMR-40 installations



MMC-6 Remote Cable



MMC-2Y Remote Cable Y-Splitter



MMP1-BK Mounting Adaptor Plate



MMP2-BK Mounting Adaptor Plate



Built for true marine duty.

Ingress Protection / Durability

Established by the International Electrotechnical Commission (IEC), the IP "Ingress Protection" Code (IEC standard 60529) defines and rates the degree of protection provided by enclosures against intrusion from foreign particles and moisture. The digits indicate an enclosure's sealing effectiveness with the conditions established by the standard and range from 0, where no protection is provided, to 6 for solid particles and 9 for liquids, indicating the highest rated protection. A number replaced with the letter X indicates the enclosure is not rated for that spec.



ASTM International Test Standards



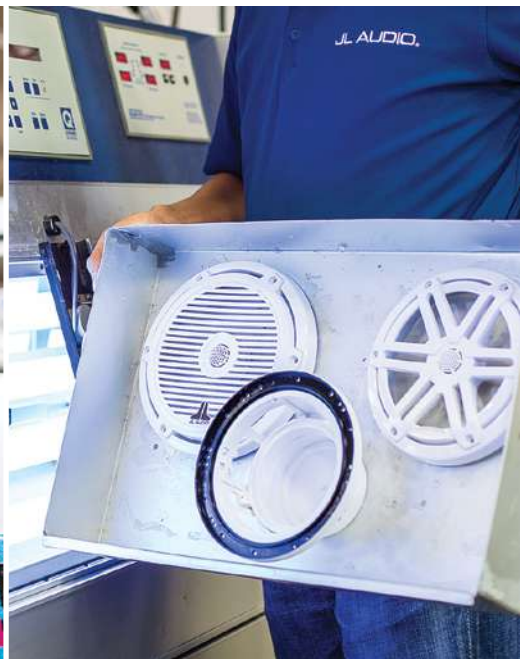
B117 - Salt/Fog Test Standard

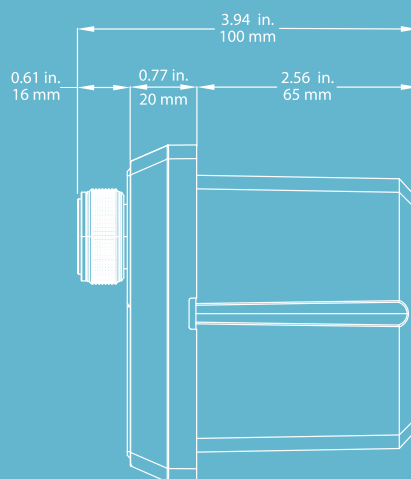
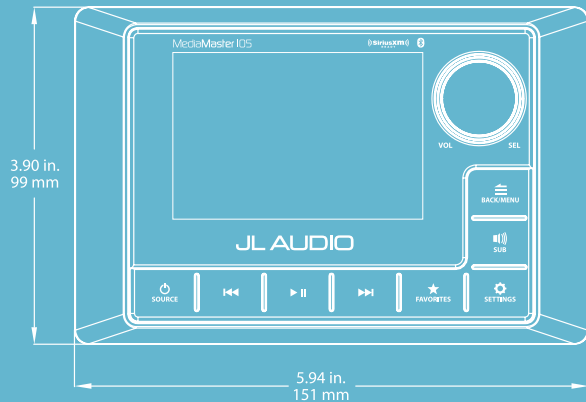
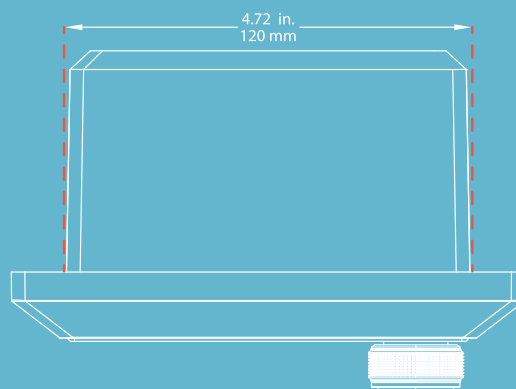
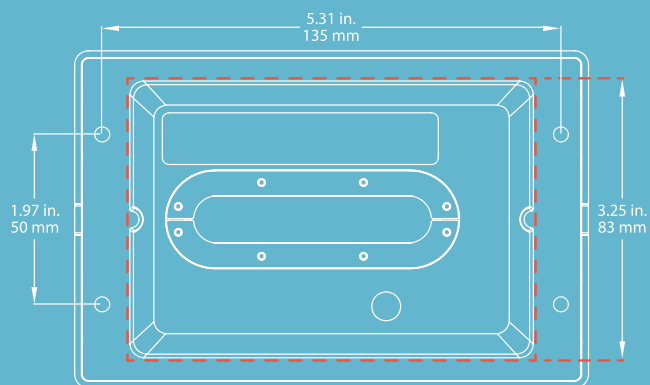
The salt/fog test standard provides accelerated aging in a controlled corrosive environment to produce relative corrosion resistance information for specimens of metals and coated metals.

D4329 - UV Test Standard

The UV test standard is intended to induce property changes associated with end-use conditions, including the effects of sunlight, moisture, and heat.

JL Audio marine speakers and subwoofers easily exceed industry norms for salt and UV exposure.





JL AUDIO® | How we play.®



www.jlaudio.com

10369 North Commerce Parkway • Miramar, Florida • 33025 • USA



©2021 JL Audio, Inc. • "How we play.", "MediaMaster", "JL Audio" and the JL Audio logo are registered trademarks of JL Audio, Inc.
For more detailed information please visit us online at www.jlaudio.com. Product images shown are for illustrative purposes only and may differ from the actual product.
Due to continuous product development, all specifications are subject to change without notice.

MOBILE AUDIO

MARINE AUDIO

POWERSPORTS

HOME AUDIO