

# Waterproof Keypad

NMEA2000  
IPX7

The CZone Waterproof Keypad range features dimmable RGB circuit backlighting in a robust IPX7 waterproof enclosure and is available in portrait and landscape orientations.

Simplify dashboard installations by removing wiring clutter with a single network cable. Front mount installation with a single 2 1/16" (52mm) holesaw, or rear mount to achieve a flat mount glass dash style look. Keypads ship with a standard label sheet for personalised circuit labeling and come in 6 or 12 way options.



## Features & Benefits

- » IPX7 submersible
- » Circuit in operation LED's with blown fuse fault indication
- » Dimmable RGB circuit backlighting
- » Low profile with 3 mounting options - front, rear and flush mount
- » Easy hole saw installation with single plug connection

## Circuit Labeling

- » Keypads ship with a standard label set.
- » Install appropriate circuit label for each button.
- » Label set contains 60 of the most common circuit labels.

## Custom Labeling

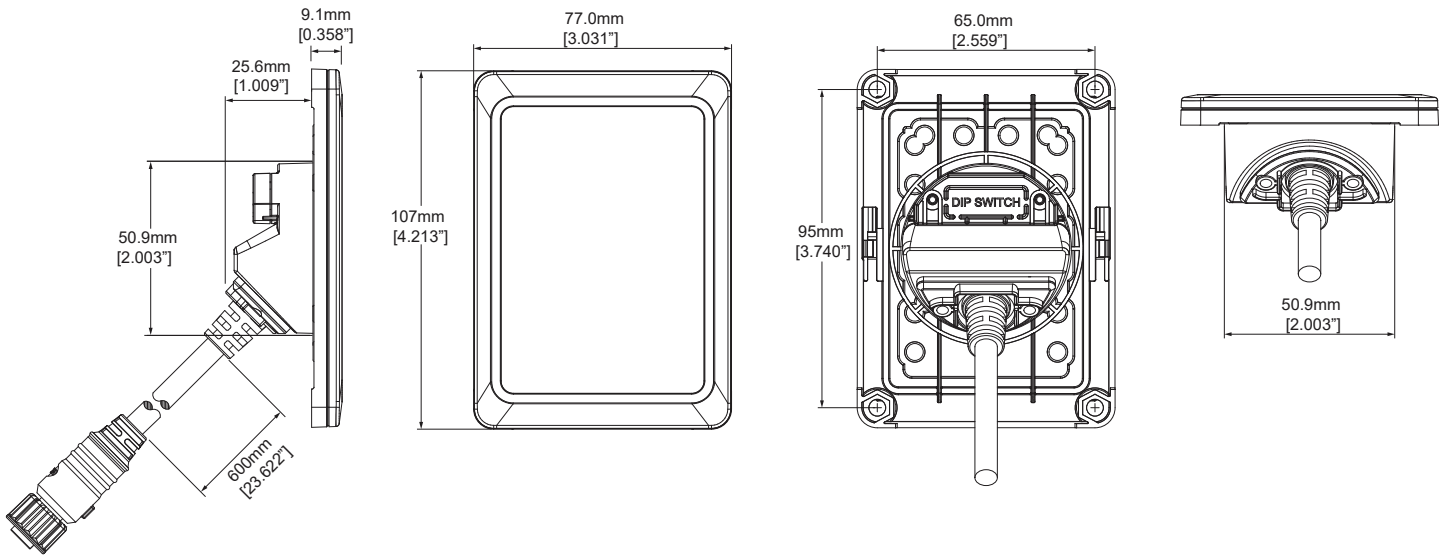
- » Keypads can be ordered with custom overlay graphics.
- » Customer to provide required graphics.
- » Pricing available on request.

## Specifications

|                             |   |
|-----------------------------|---|
| Weight                      | 6 Way : 115g (0.25lbs) / 12 Way 155g (0.34lbs)      |
| Power consumption max       | 6 Way : 56mA / 12 Way : 95mA                        |
| Power consumption standby   | 1.8mA   |
| NMEA2000 connectivity       | 1 x CAN Micro-C port                                |
| Warranty period             | 2 years   |
| Operating temperature range | -15C to +55C (-5F to +131F)                         |
| Storage temperature range   | -40C to +85C (-40F to +185F)                        |
| 6 Way dimensions W x H x D  | 77 x 107 x 32mm (3.03 x 4.21 x 1.26")               |
| 12 Way dimensions W x H x D | 77 x 182 x 32mm (3.03 x 7.16 x 1.26")               |
| Mounting type               | Front and rear mount                                |
| Ingress protection          | IPX7  |
| Compliance                  | CE, ABYC, NMEA, ISO8846/SAEJ1171 Ignition Protected |
| Backlight color             | RGB LED with dimming                                |
| Supply voltage              | 9-16V via CAN                                       |
| Interface                   | Tactile Dome / Keypad                               |

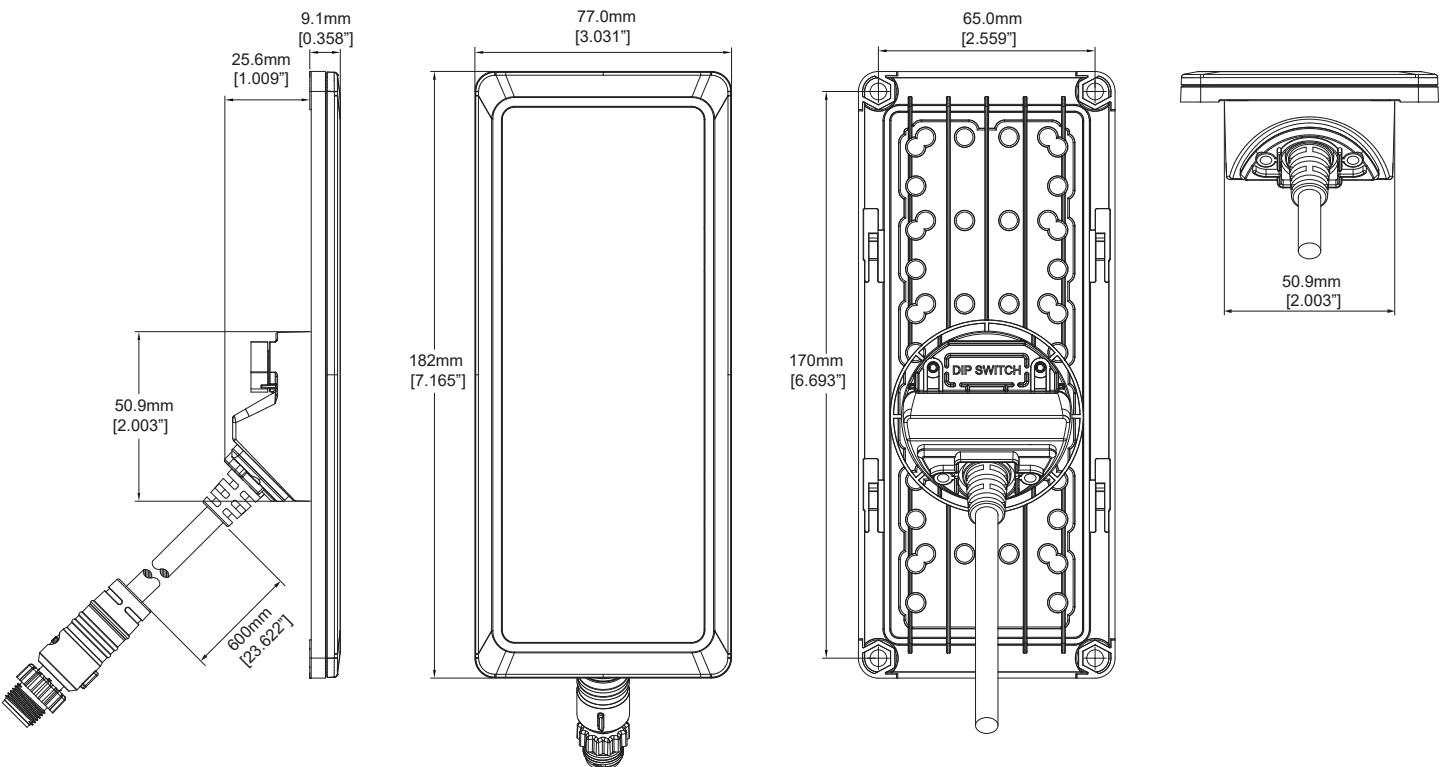
**6 Way Dimensions**

Note: Rotate anti-clockwise for landscape installation



**12 Way Dimensions**

Note: Rotate anti-clockwise for landscape installation



**Part Numbers**

|                |                                  |
|----------------|----------------------------------|
| 80-911-0162-00 | CZONE WPROOF KEYPAD 3x2 LSCAPE   |
| 80-911-0163-00 | CZONE WPROOF KEYPAD 2x3 PORTRAIT |
| 80-911-0164-00 | CZONE WPROOF KEYPAD 2X6 PORTRAIT |
| 80-911-0165-00 | CZONE WPROOF KEYPAD 6X2 LSCAPE   |