



APPENDIX

ALPHA ALTERNATOR

DIMENSIONS, INSTALLATION DRAWINGS AND CHARACTERISTICS



TABLE OF CONTENTS

| | | |
|----------|--|-----------|
| 1 | DIMENSIONS | 3 |
| 1.1 | Dimensions Alpha alternator model 12/90 | 3 |
| 1.2 | Dimensions Alpha alternator models 12/130, 24/75 and 24/110 | 4 |
| 1.3 | Dimensions Alpha alternator model 24/150 | 5 |
| 1.4 | Dimensions Alpha Pro III regulator | 6 |
| 2 | INSTALLATION DRAWINGS AND INSTRUCTIONS | 7 |
| 2.1 | Alpha Alternator model 12/90 | 7 |
| 2.2 | Alpha Alternator models 12/130, 24/75 and 24/110 | 8 |
| 2.3 | Alpha Alternator model 24/150 | 9 |
| 2.4 | Standard Bosch alternator | 10 |
| 2.5 | Instruction for modification of standard Bosch alternators | 11 |
| 2.6 | Installation examples for Alpha alternator model 12/90 | 12 |
| 2.7 | Installation examples for Alpha alternator models 12/130, 24/75 and 24/110 | 14 |
| 3 | CHARACTERISTICS | 15 |
| 3.1 | Charge current versus RPM | 15 |

1 DIMENSIONS

1.1 DIMENSIONS ALPHA ALTERNATOR MODEL 12/90

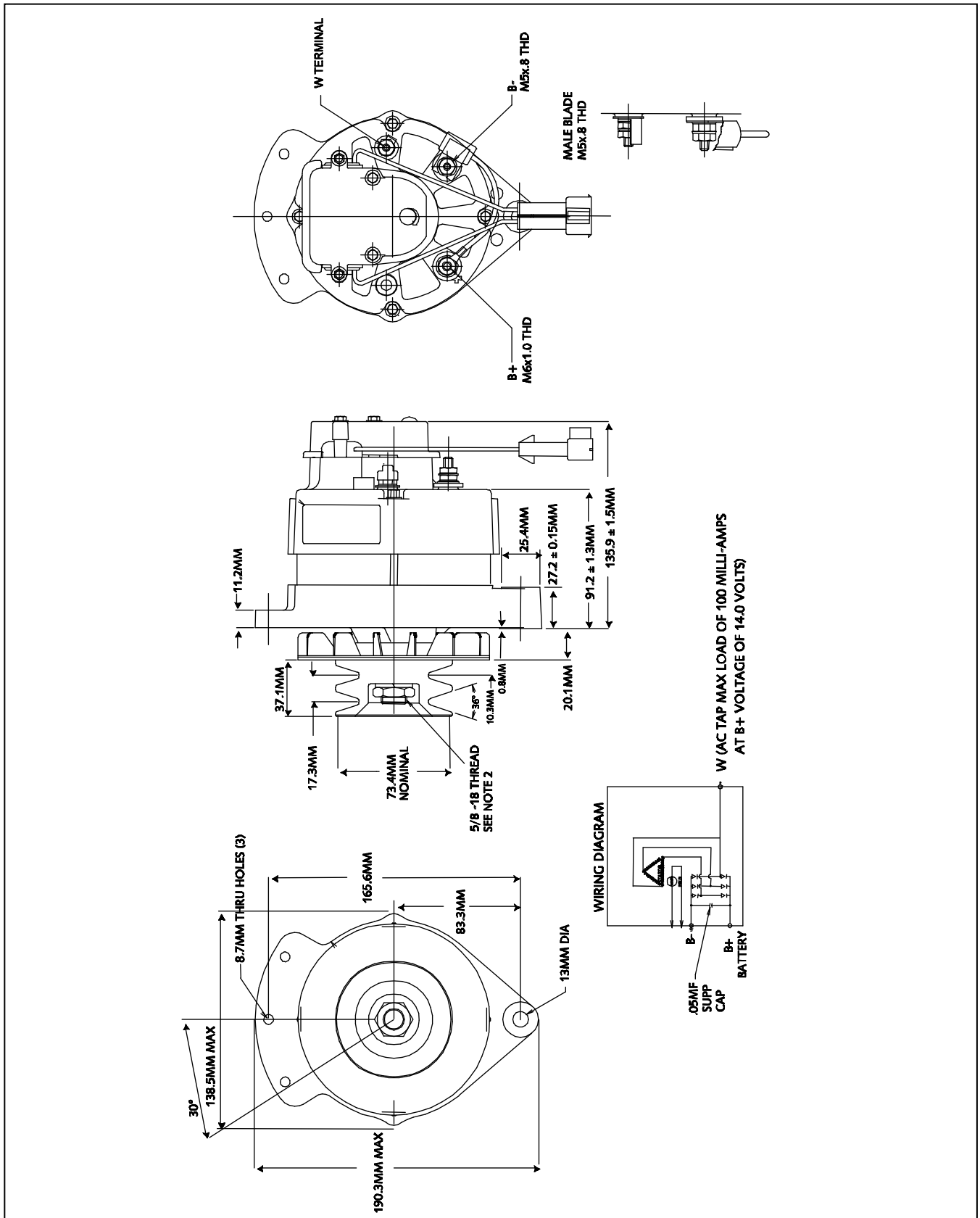


Figure A-1: Dimensions Alpha alternator model 12/90 (enclosure A)

1.2 DIMENSIONS ALPHA ALTERNATOR MODELS 12/130, 24/75 AND 24/110

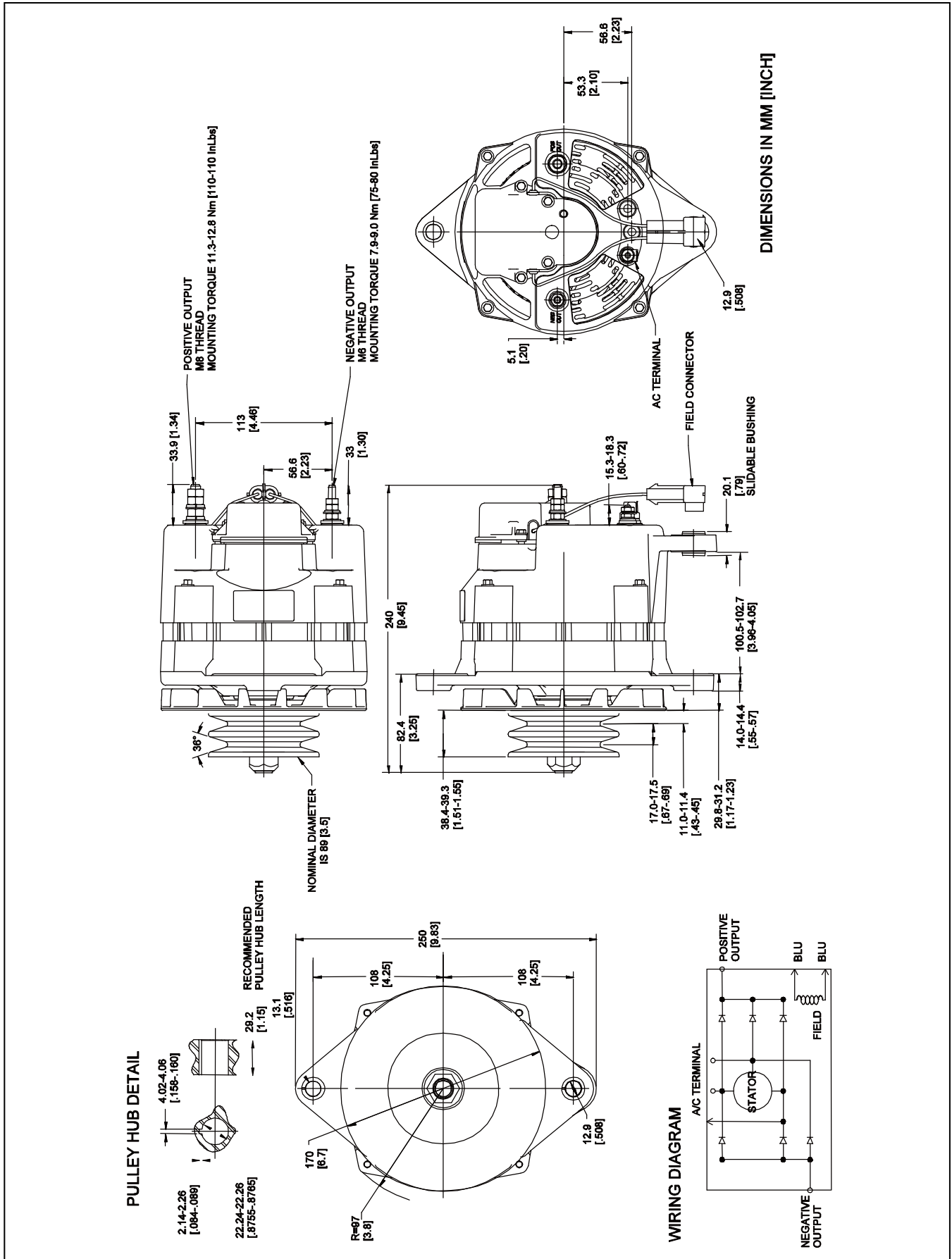


Figure A-2: Dimensions Alpha alternator models 12/130, 24/75, 24/110 and 24/150 (enclosure B)

1.3 DIMENSIONS ALPHA ALTERNATOR MODEL 24/150

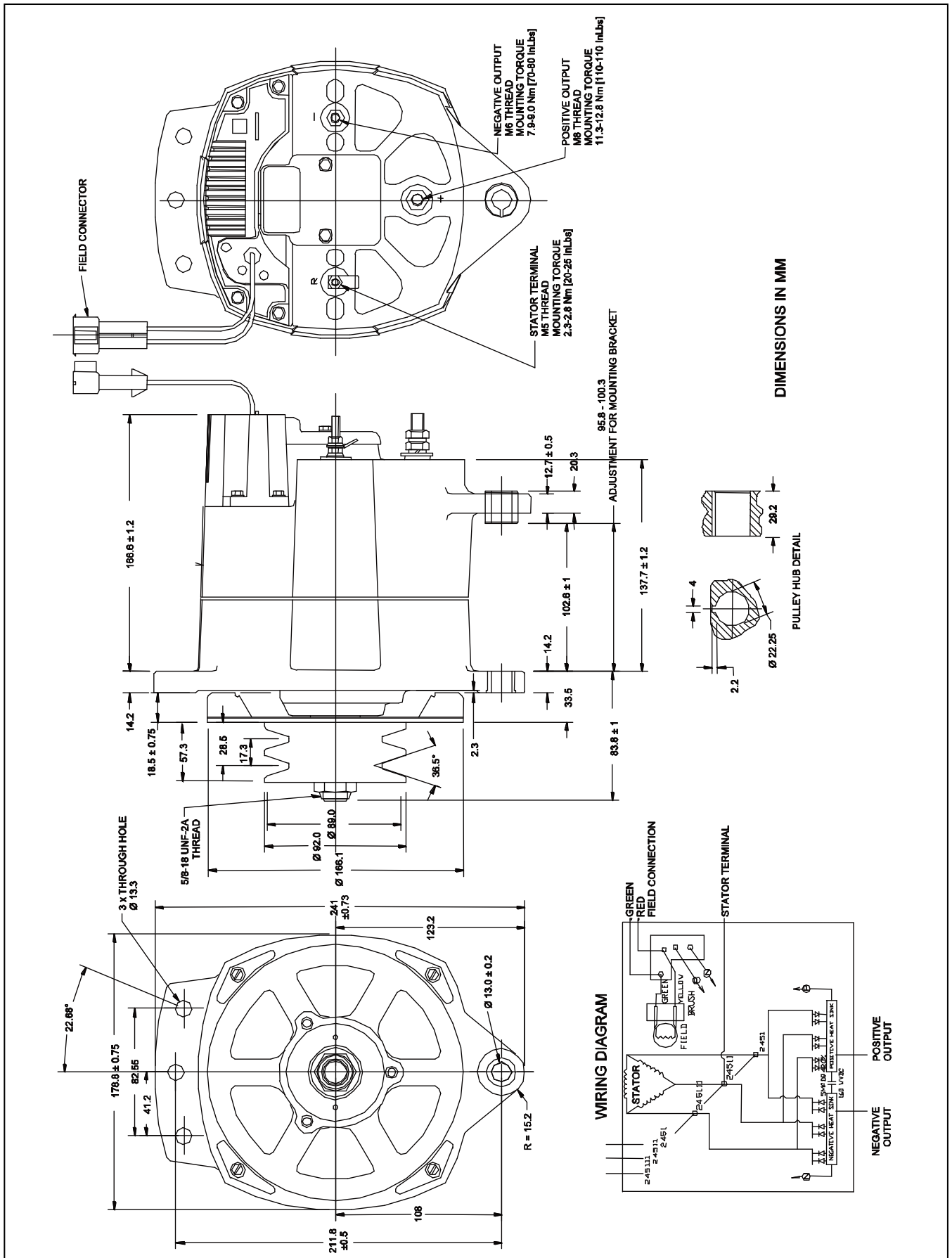


Figure A-3: Dimensions Alpha alternator model 24/150 (enclosure C)

1.4 DIMENSIONS ALPHA PRO III REGULATOR

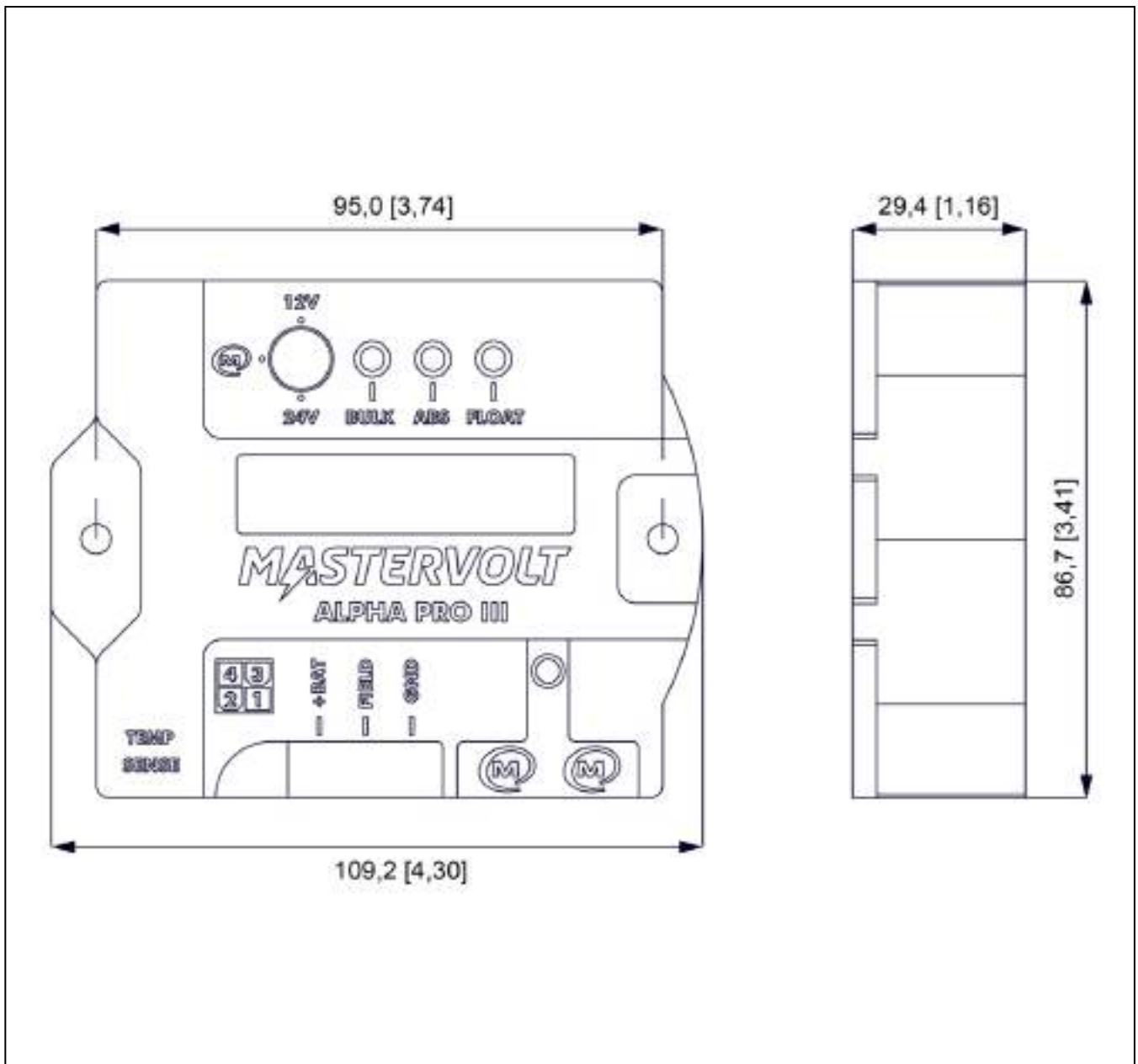


Figure A-5: Dimensions of the Alpha Pro III regulator (all models)

2 INSTALLATION DRAWINGS AND INSTRUCTIONS

2.1 ALPHA ALTERNATOR MODEL 12/90

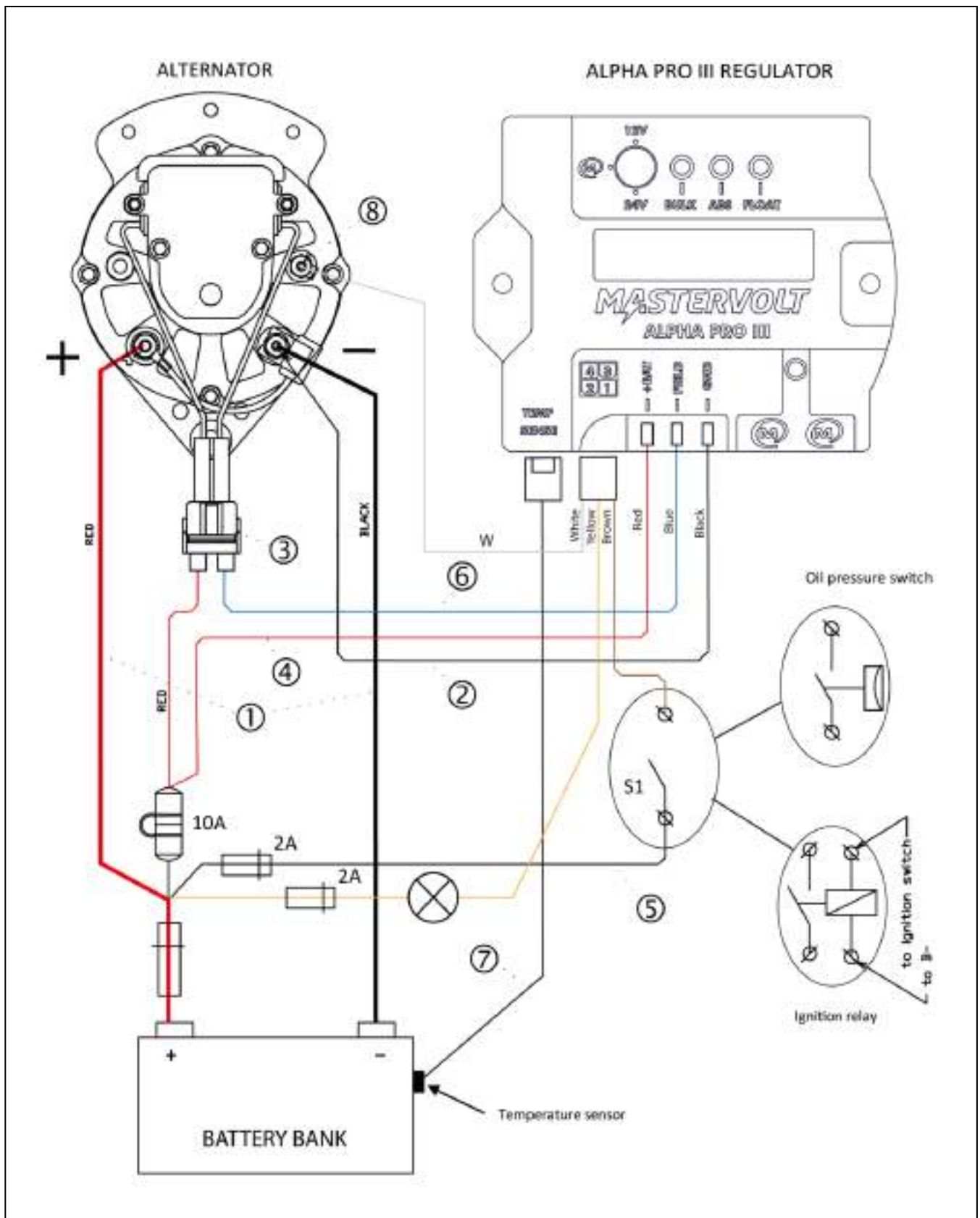


Figure A-6: Installation drawing Alpha alternator model 12/90

2.2 ALPHA ALTERNATOR MODELS 12/130, 24/75 AND 24/110

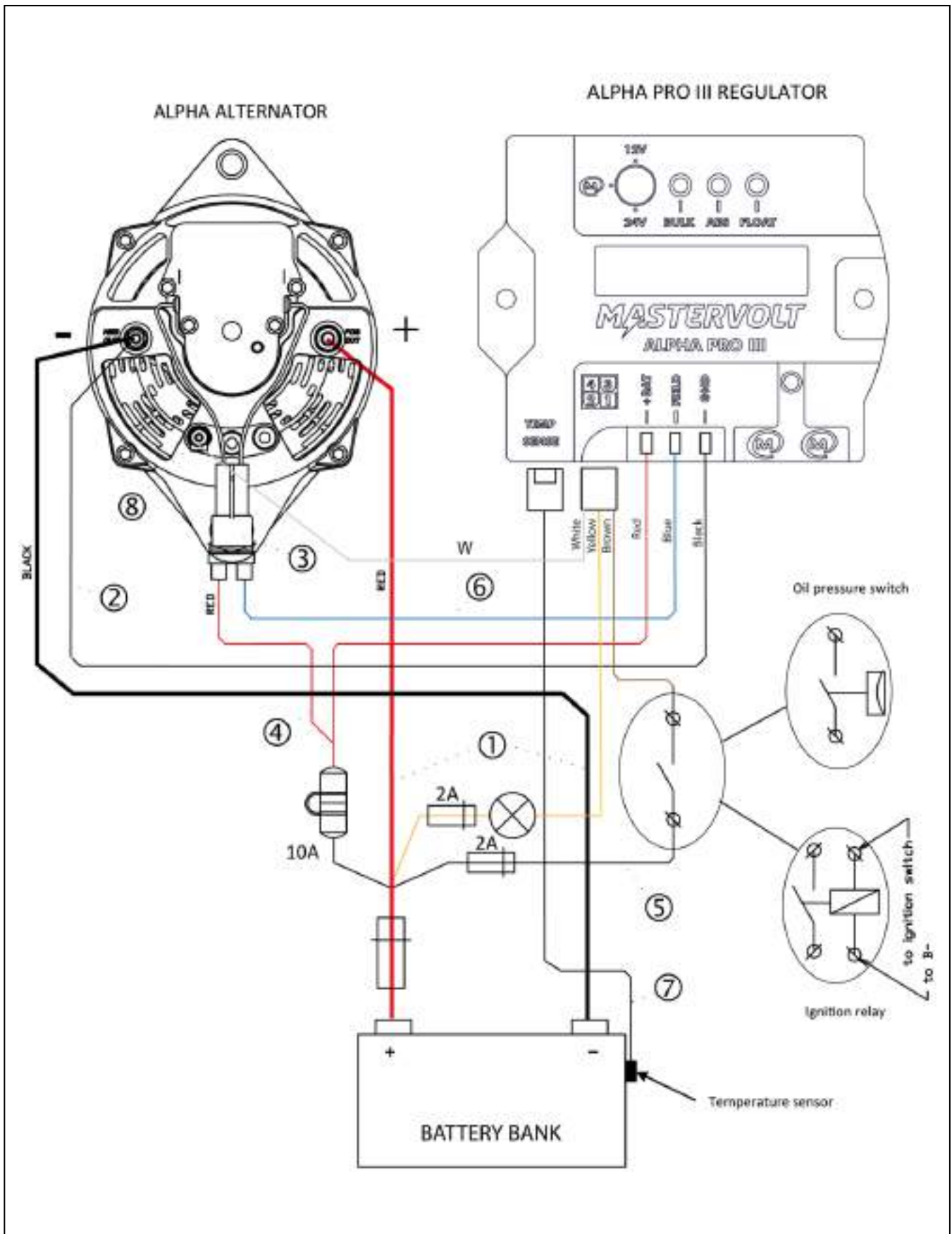


Figure A-7: Installation drawing Alpha alternator models 12/130, 24/75 and 24/110

2.3 ALPHA ALTERNATOR MODEL 24/150

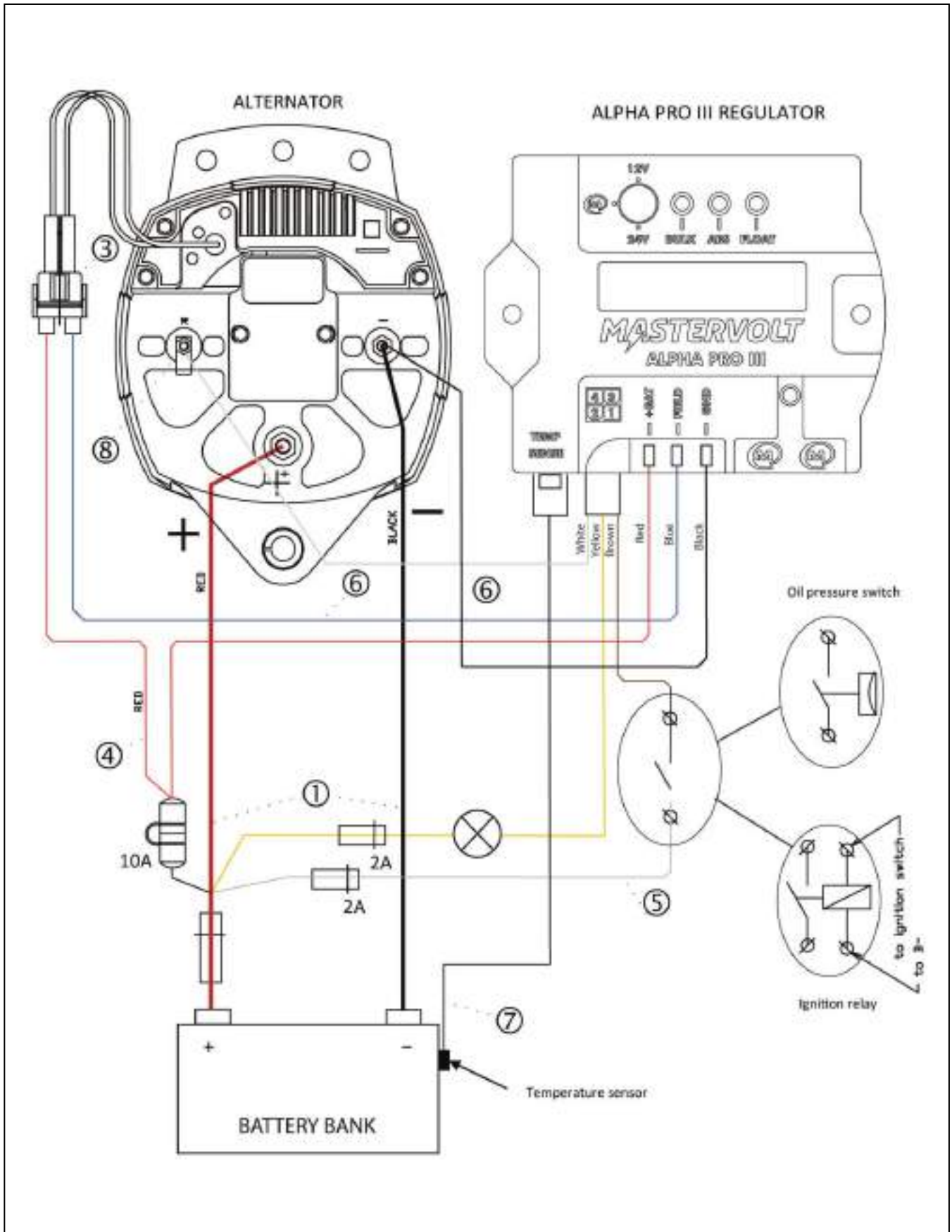


Figure A-8: Installation drawing Alpha alternator model 24/150

2.4 STANDARD BOSCH ALTERNATOR

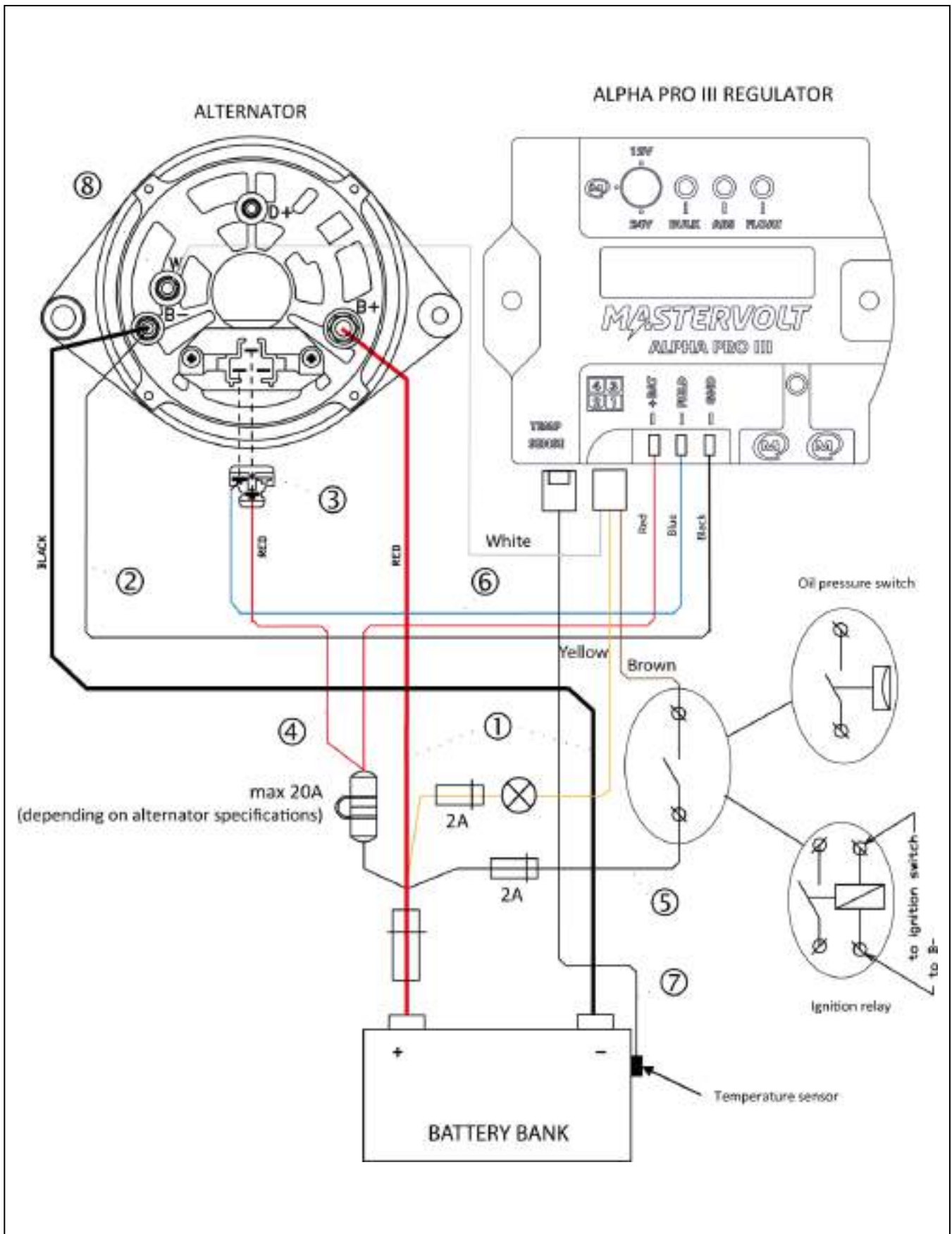


Figure A-9: Installation drawing standard Bosch alternator

2.5 INSTRUCTION FOR MODIFICATION OF STANDARD BOSCH ALTERNATORS

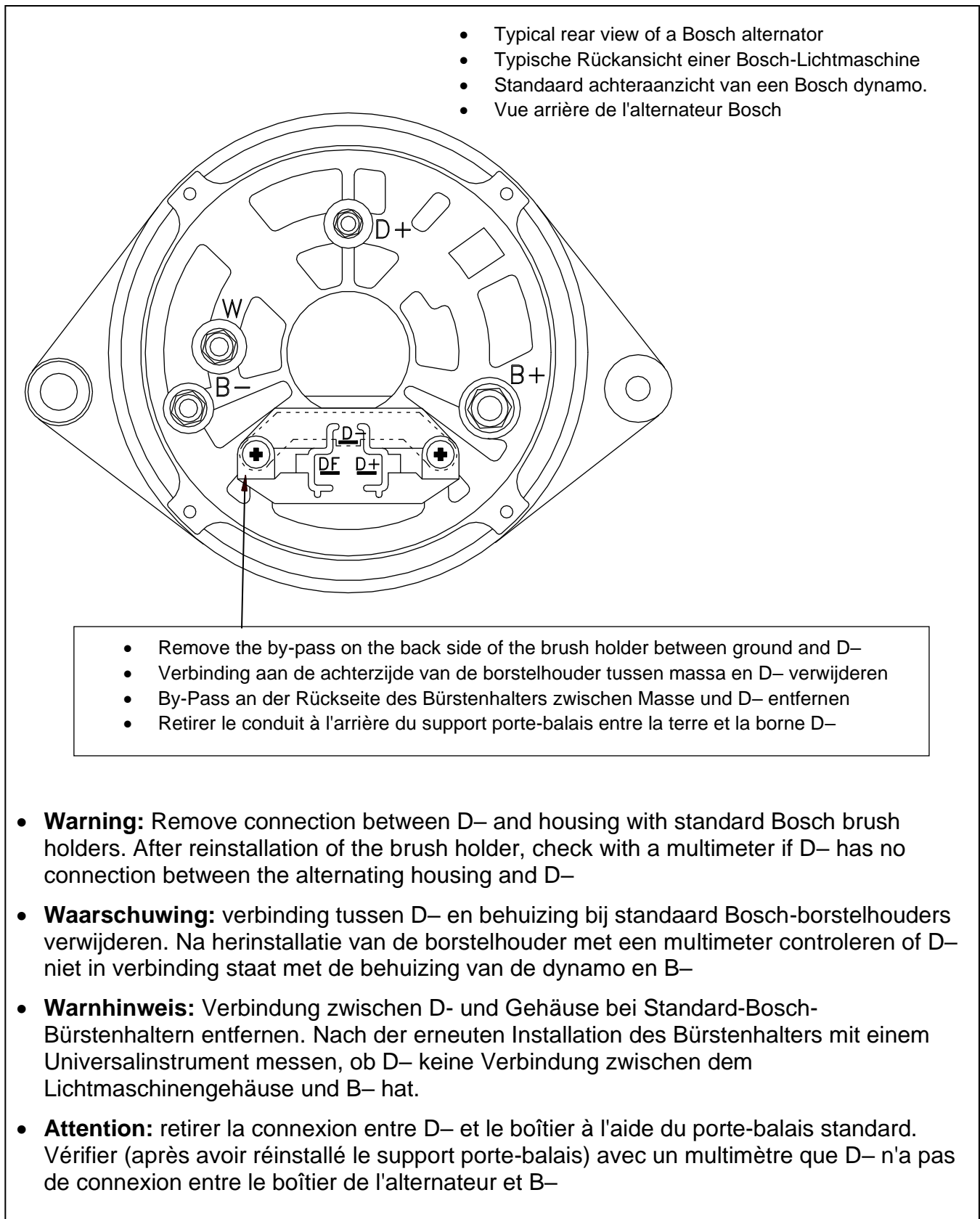


Figure A-10: Standard Bosch alternator (not applicable for Mastervolt alternators)

2.6 INSTALLATION EXAMPLES FOR ALPHA ALTERNATOR MODEL 12/90

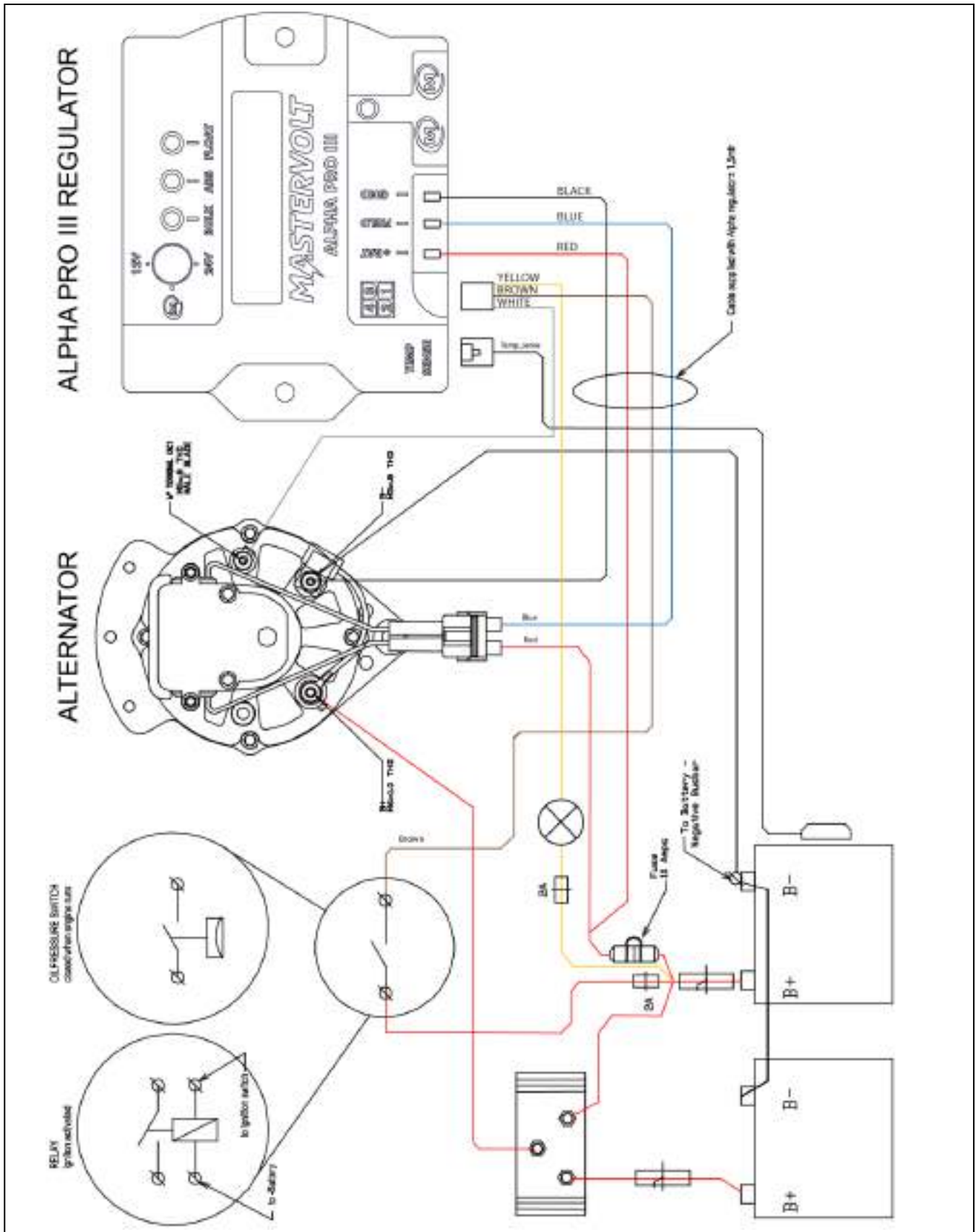


Figure A-11: This drawing shows the installation of the Alpha alternator 12/90 in combination with a battery isolator to charge two battery banks simultaneously

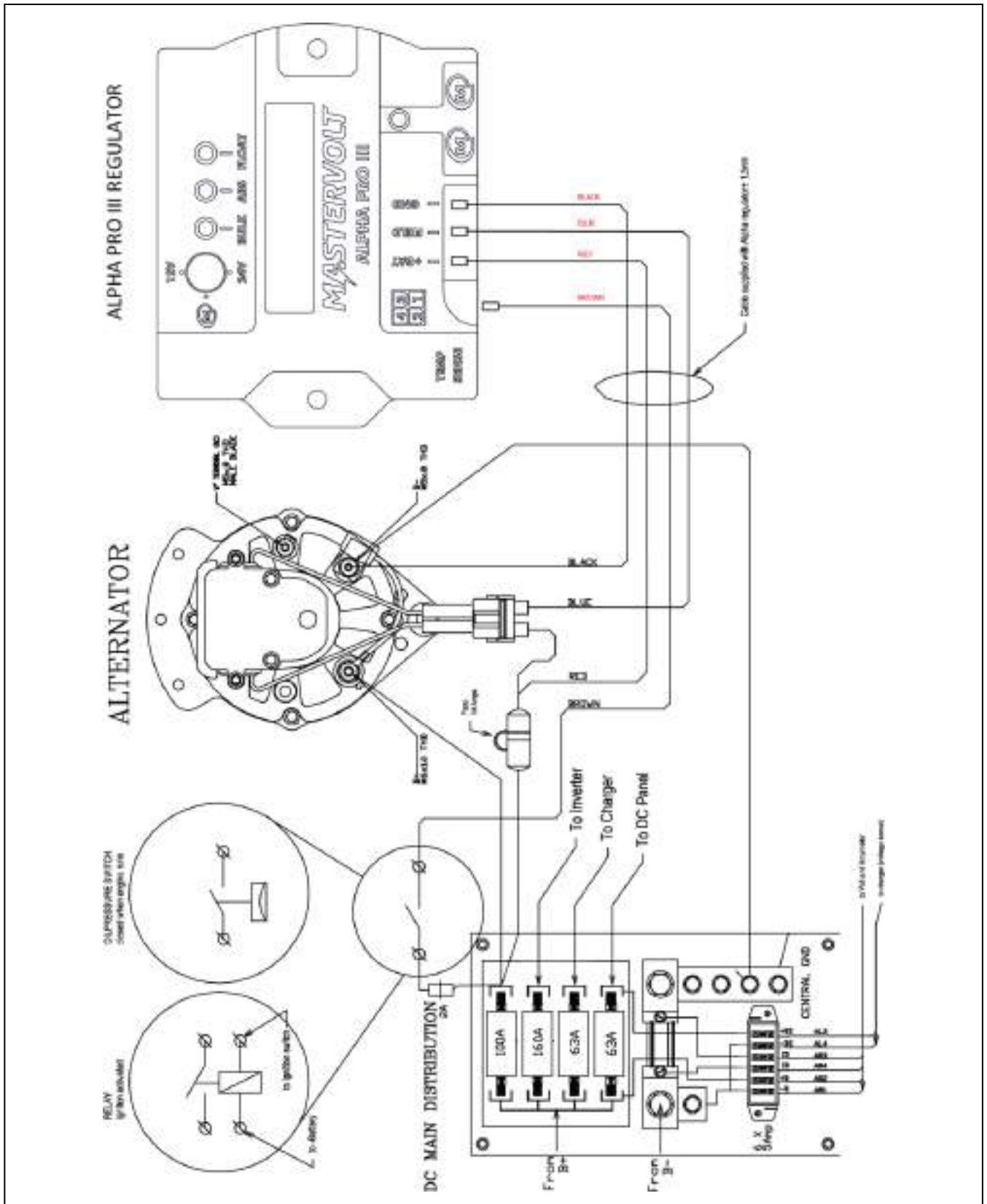


Figure A-12: Here the installation of the Alpha alternator 12/90 in combination with a Mastervolt DC distribution system is shown. The Mastervolt DC distribution systems are easy-to-install installation kits for central connection of the DC-sources (such as the alternator and the battery charger), the batteries and the DC loads (such as the inverter, the anchor winch or the bow thruster). These DC-distribution systems are standard pre-wired for connection of a battery monitor. See www.mastervolt.com for details.

2.7 INSTALLATION EXAMPLES FOR ALPHA ALTERNATOR MODELS 12/130, 24/75 AND 24/110

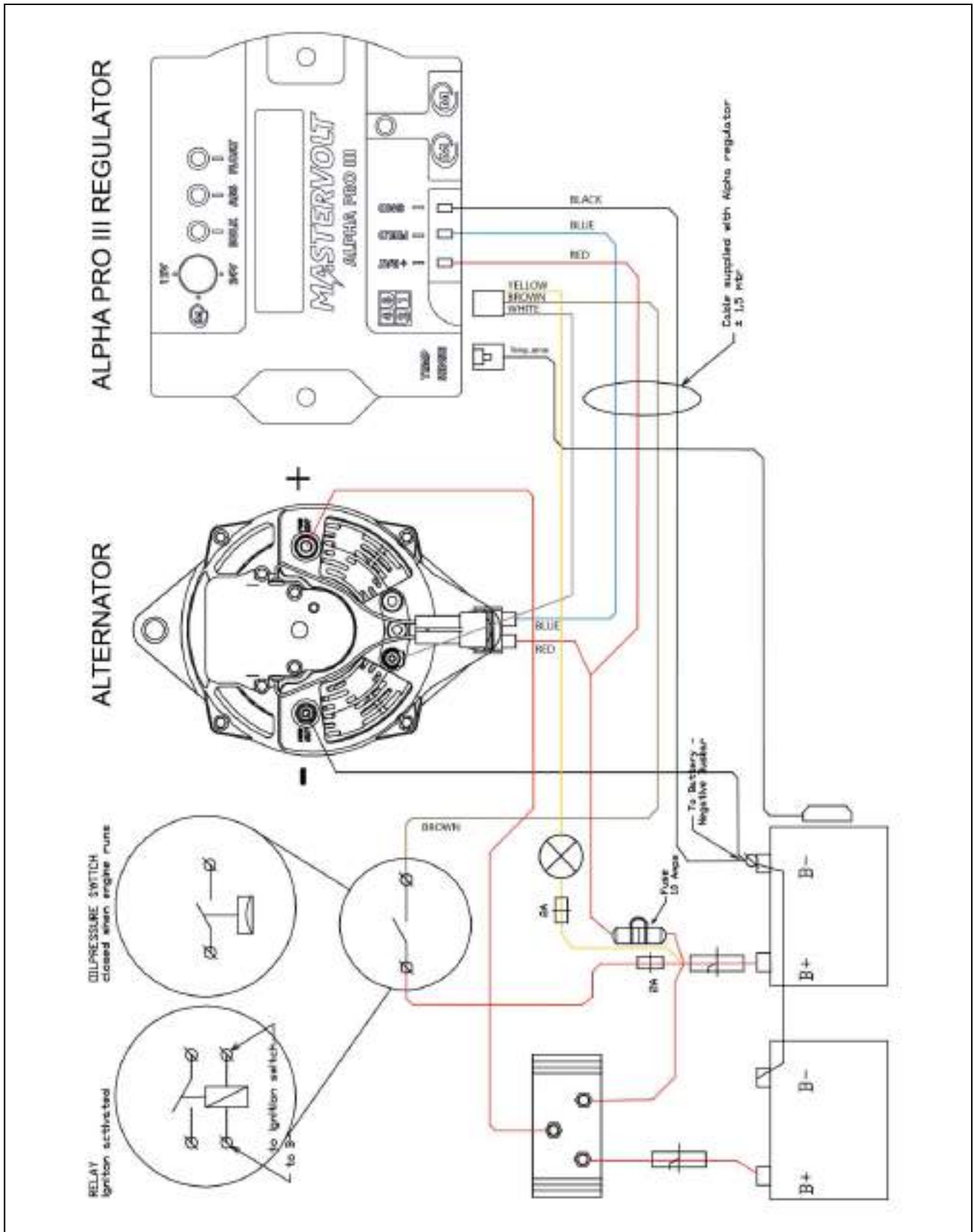
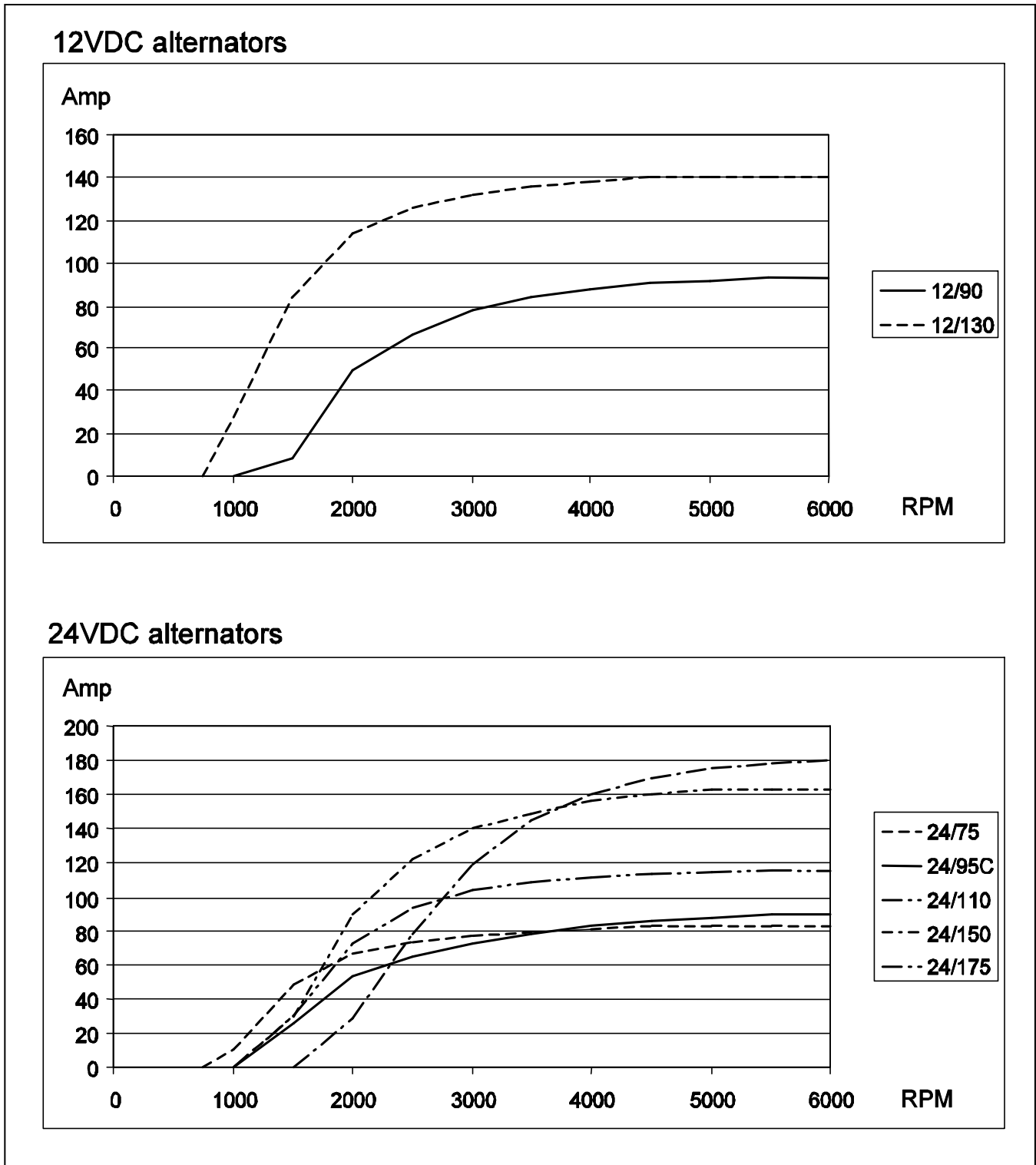


Figure A-13: This drawing shows the installation of the Alpha alternator models 12/130, 24/75 and 24/110 in combination with a battery isolator to charge two battery banks simultaneously.

3 CHARACTERISTICS

3.1 CHARGE CURRENT VERSUS RPM



Output power is measured in combination with Alpha Pro III regulator at nominal voltage (25°C)

Figure A-15: Characteristics for Mastervolt alternators: charge current versus RPM



Europe, Middle East & Africa

Customer Service

T: +31 (0) 20 34 22 100

E: info@mastervolt.com

Technical Support

T: +31 (0) 20 34 22 100

E: ts@mastervolt.com

Location & Shipping

Mastervolt

Snijdersbergweg 93

1105 AN Amsterdam

The Netherlands

Americas & Caribbean

Customer Service

T: +1 800 307 6702, Option 1

E: orderentry@marinco.com

Technical Support

T: +1 800 307 6702, Option 2

E: tsusa@mastervolt.com

Location & Shipping

Power Products, LLC

N85 W12545 Westbrook Crossing

Menomonee Falls, Wisconsin 53051

United States

Asia Pacific

Customer Service

T: +64 9 415 7261 Option 1

E: enquiries@bepmarine.com

Technical Support

T: +64 9 415 7261 Option 3

E: technical@bepmarine.com

Location & Shipping

BEP Marine

42 Apollo Drive

Rosedale, Auckland 0632

New Zealand