

Delta T Systems SMALL AC AXIAL FANS



DELTA "T" SYSTEMS



Delta T Systems

SMALL AC AXIAL FANS



Application - Ideally suited for small vessel engine rooms and OEM applications where compact ventilation systems are required. These fans provide over four times the air volume of small AC centrifugal marine blowers with a substantial weight savings. Unbelievably quiet when running, these fans will provide thousands of hours of continuous service

Design & Construction — The 8” and 11” Axial Ventilation Fans are specifically designed and built for the rigors of the marine environment – not adapted from other industries. With a flanged housing of cast aluminum, this unit provides a compact fan with excellent corrosion resistance and light weight. Extended wiring leads from the motor to a terminal strip provides for simple quick installation.

Motor — 50/60 HZ High efficiency single phase direct drive motor provides extremely quiet continuous duty service yet draw only 80 WATTS. Motors are totally enclosed (TEAO) double shielded ball bearing type. Available in both 115 VAC and 230 VAC, these motors are designed for worldwide applications.

Fan Hubs & Blades — A corrosion resistant hub is secured directly to the motor shaft using multiple locking methods for enhanced safety and reliability. Fan blades are finished with black powder coated paint for corrosion resistance. The high performance blade shape provides for exceptional flow characteristics and low sound levels - only 61 dBA at free air flow.

Finish — Corrosion resistant aluminum housings are provided “mill finish” without paint.

•8 Inch Fan - 115 Volt AC — Part No. 500-208281/1

•11 Inch Fan - 115 Volt AC — Part No. 500-211115

•8 Inch Fan - 230 Volt AC — Part No. 500-208281/2

•11 Inch Fan - 230 Volt AC — Part No. 500-211230



Delta T Systems SMALL AC AXIAL FANS



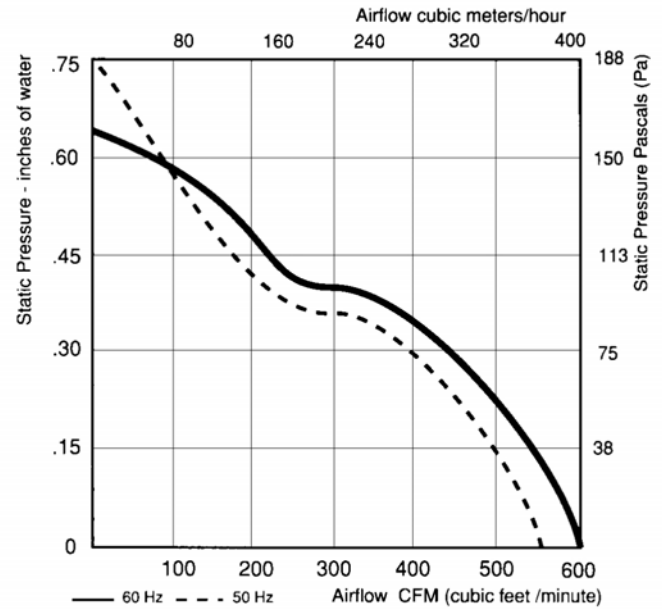
DELTA "T" SYSTEMS

PERFORMANCE AT 50 & 60 HZ

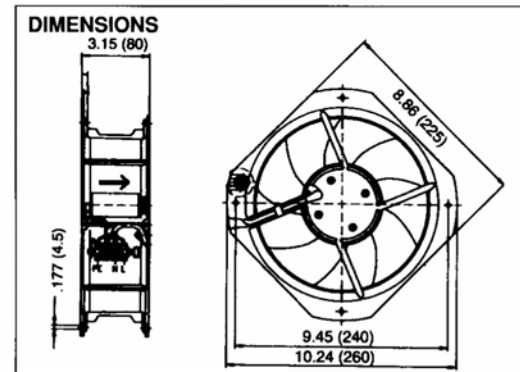
8 Inch AC Axial Fan



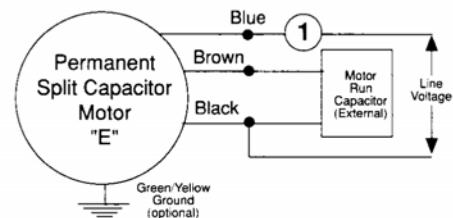
Airflows to 607 CFM



DIMENSIONS



WIRING DIAGRAM



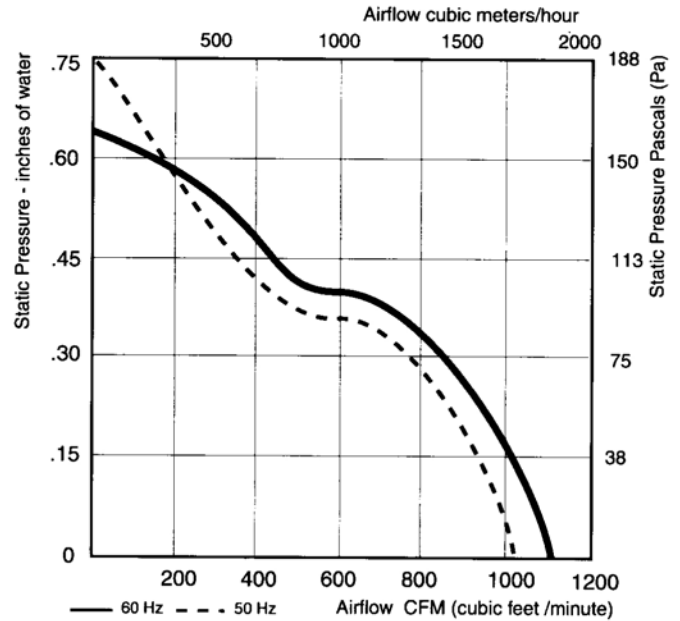
Delta T Systems SMALL AC AXIAL FANS



DELTA "T" SYSTEMS

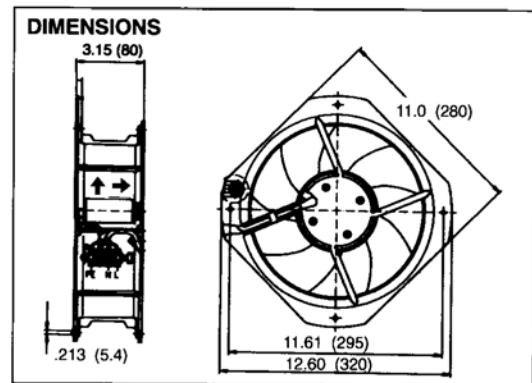
PERFORMANCE AT 50 & 60 HZ

11 Inch AC Axial Fan



Airflows to 1100 CFM

DIMENSIONS



WIRING DIAGRAM

