



Front Mount Helm Pumps & Backmount Kit Options

SeaStar, SeaStar Pro & BayStar

Dometic Marine would like inform you of an upcoming and exciting change to our SeaStar, SeaStar Pro and BayStar front Mount helm pumps and updated backmount kits.

In May 2024 Dometic began shipping new -4 series front mount SeaStar, SeaStar Pro and BayStar helm pumps. This change is designed to enhance the appearance on your dash and will not affect performance and/or operation.

We advise that you read all information noted below to become better acquainted with the forthcoming changes. As you would expect from Dometic, these changes will still provide the most reliable and comfortable hydraulic steering system on the market today.

Front mount helm pumps

Reasons for change

- Enhance the appearance of your dash

Helms effected

- All SeaStar, SeaStar Pro and BayStar helm pumps (excluding rear-mounting and tilt helms)

Notes

- No change to installation
- Minimal dimensional changes
- No change to operation and/or performance
- Can be used with older model SeaStar helms in multi-station setups

Product Improvements

- Patent pending lockvalve design intended to provide smoother steering over all operating conditionsz.

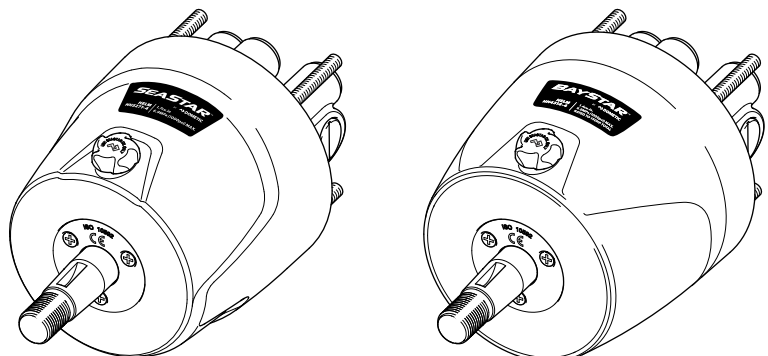


Figure 1. New look SeaStar, SeaStar Pro, and BayStar helm pumps.



Backmount kit selection

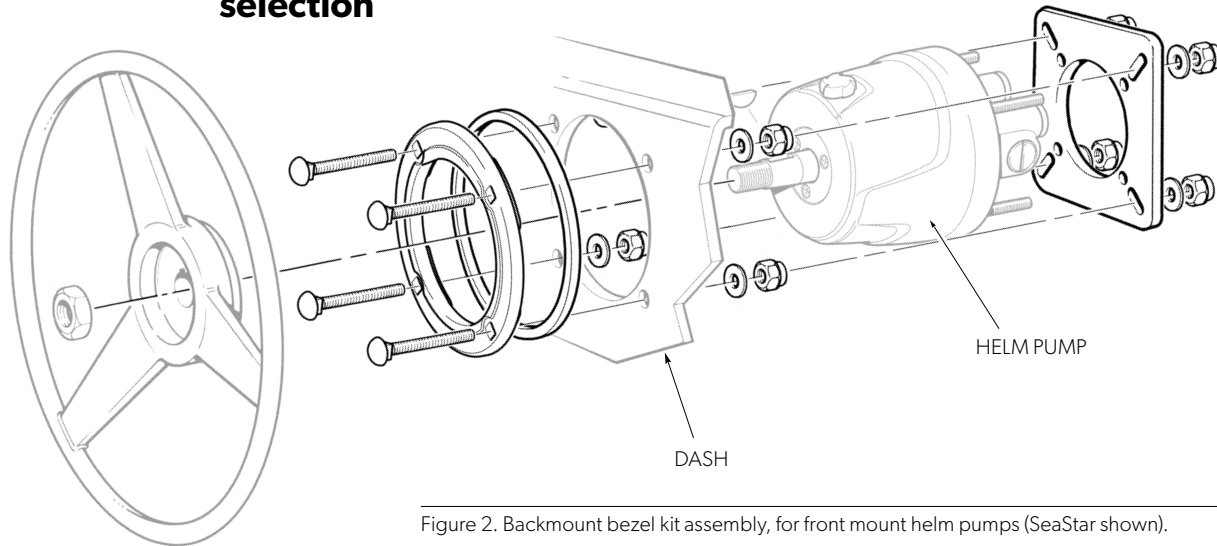


Figure 2. Backmount bezel kit assembly, for front mount helm pumps (SeaStar shown).

SeaStar/SeaStar Pro front mount helm bezel kit selection based on helm date code:

- 1990 to 2007
use backmount kit HA5417
- 2008 to April 2024
use backmount kit HA5478
- May 2024 to present
use backmount kit HA5478-4

DATE CODE LOCATION

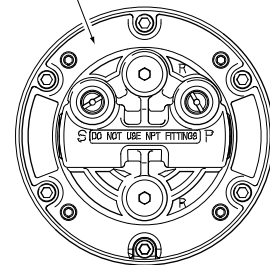


Figure 3.

SeaStar/SeaStar Pro front mount helm bezel kit selection based on helm cover styling:



use backmount kit HA5417

use backmount kit HA5478

use backmount kit HA5478-4

Figure 4.



BayStar front mount helm bezel kit selection based on helm date code:

- 2008 to August 2024
use backmount kit HA5476
- September 2024 to present
use backmount kit HA5476-4

DATE CODE LOCATION

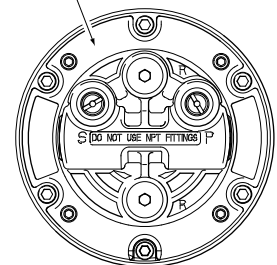


Figure 5.

BayStar front mount helm bezel kit selection based on helm cover styling:



use backmount
kit HA5476



use backmount
kit HA5476-4

Figure 6.

Dometic tech support

If you require any assistance with these changes please contact your Dometic regional manager or our technical services department at: **604.248.3858**.

You can also email us at: seastar@dometic.com