

XRSeries

REV 000A

CE

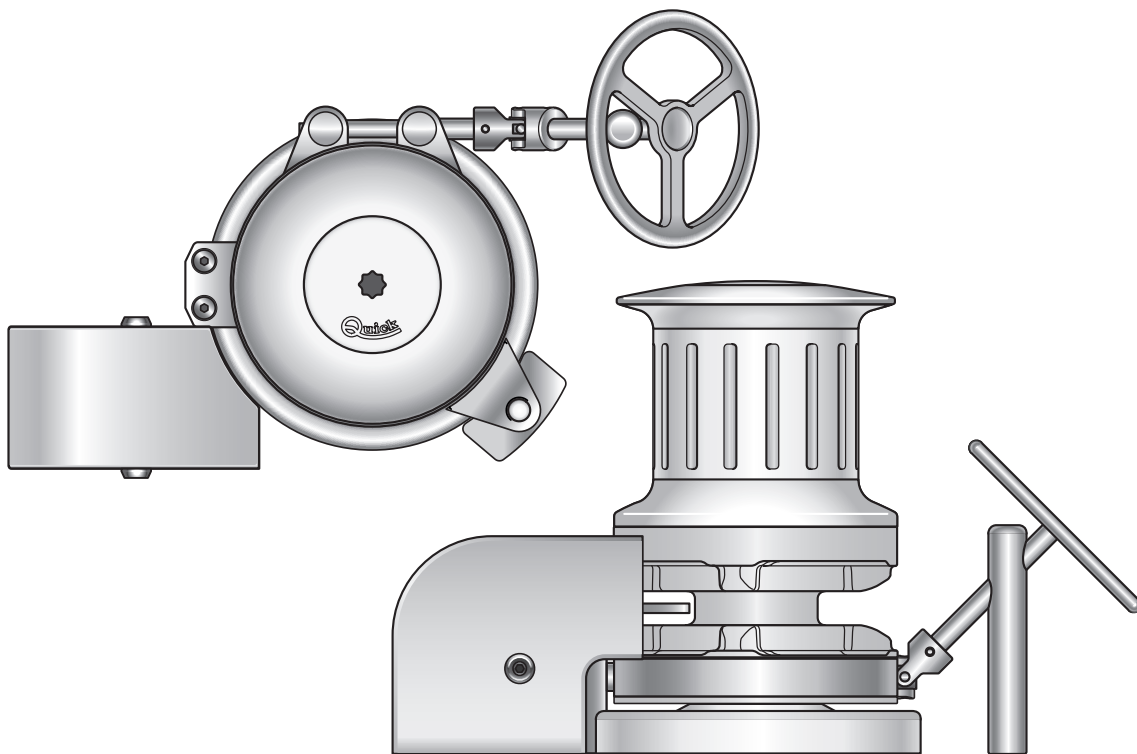
UK
CA

VERTICAL WINDLASSES

XR7 4024 DC - 4000 AC - 5500 AC - HYDRO

XR8 5500 AC - 7500 AC - HYDRO

XR9 15000 AC - HYDRO



***EN - INSTALLATION AND USER'S MANUAL**

*Other languages available by scanning the QR code on the back of this manual or on the label on the product.

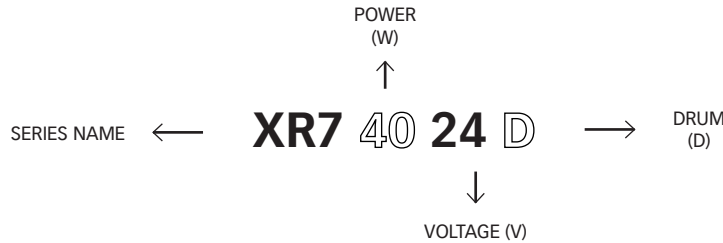
Quick[®]
Nautical Equipment

1 - Information about the product	5
1.0 - Model code	5
1.1 - XR7 Technical Data	5
1.2 - XR8 Technical Data	6
1.3 - XR9 Technical Data	6
1.4 - Chains and tightening torques	7
2 - Supply and equipment	7
2.0 - Standard supply and material included in the package	7
2.1 - Quick® accessories required, not included in standard supply	7
2.2 - Tools required for installation	7
2.3 - Recommended Quick® accessories not included	7
3 - Introduction	8
3.0 - Important notes	8
3.1 - Precautions	8
3.2- Precautions for the installer	8
4 - Installation	9
4.0 - Installation requirements	9
4.1 - Installation procedures	9
5 - Wiring diagram	11
5.0 - Example of connection XR7 4000W DC	11
5.1 - Example of connection XR7 (4000-5000) XR8 (5500) EC-BOX	12
5.2 - Example of connection Inverter XR7 XR8	13
5.3 - Example of connection XR9	14
6 - Cautions & Use	15
6.0 - Important cautions	15
6.1 Use	15
7 - Maintenance	17
8 - Product disposal	17
9 - XR7 spare parts	19
9.0 - XR7 spare parts	19
9.1 - XR7 spare parts - Accessories not included as standard	19
10 - XR8 spare parts	21
10.0 - XR8 spare parts	21
10.1 - XR8 spare parts - Accessories not included as standard	21
11 - XR9 spare parts	23
11.0 - XR9 spare parts	23
11.1 - XR9 spare parts - Accessories not included as standard	23
12 - XR7 dimensions	24
13 - XR8 dimensions	26
14 - XR9 dimensions	29



QUICK® RESERVES THE RIGHT TO MODIFY THE TECHNICAL CHARACTERISTICS OF THE EQUIPMENT AND THE CONTENTS OF THIS MANUAL WITHOUT PRIOR NOTICE. IN CASE OF DISCORDANCE OR ERRORS IN TRANSLATION BETWEEN THE TRANSLATED VERSION AND THE ORIGINAL TEXT IN THE ITALIAN LANGUAGE, REFERENCE WILL BE MADE TO THE ITALIAN TEXT.

1.0 - Model code



1.1 - XR7 Technical Data

ELECTRIC MODEL	XR7 4000 X/Y
MODEL POWER	4000 W
Motor voltage	24 V
Maximum instantaneous pull	4000 kg (8818 lb)
Maximum work load	1500 kg (3307 lb)
Work load	700 kg (1543 lb)
Current consumption at work load ⁽¹⁾	190 A
Maximum recovery speed ⁽²⁾	31 m/min (10 1.7 ft/min)
Minimum motor cable cross section ⁽³⁾	35 mm (AWG 2)
Circuit breaker ⁽⁴⁾	150 A
Deck thickness ⁽⁵⁾	30 ÷ 60 mm (1" 3/16 ÷ 2" 23/64)
Weight	181.6 kg 400 lb

ELECTRIC MODELS	XR7 AC 4000 X/Y	XR7 AC 5500 X/Y
MOTOR POWER	4000 W AC	5500 W AC
Motor voltage ⁽⁵⁾	230/400 V	230/400 V
Maximum instantaneous pull	4500 kg (9921 lb)	5000 kg (11000 lb)
Maximum work load	2000 kg (4409 lb)	2350 kg (5181 lb)
Maximum recovery speed ⁽²⁾	10 m/min (32.8 ft/min)	11.6 m/min (393.7 ft/min)
Deck thickness ⁽⁶⁾	30 ÷ 60 mm (1" 3/16 ÷ 2" 23/64)	
Weight	173 kg (381.4 lb)	178.6 kg (393.7 lb)

• (1) After an initial period of use. • (2) Measurements carried out with gypsy for 16 mm STUD-LINK chain. • (3) Minimum recommended value for total length L = <20m. Calculate the cable cross section according to the connection length. • (4) With specific circuit breaker for direct current (DC) and delayed (thermal-magnetic or hydraulic-magnetic) circuit breaker. • (5) Three-phase motor • (6) Studs for greater deck thickness can be supplied upon request.

HYDRAULIC MODEL	XR7 HYDRO X/Y	
Motor type	Reversible gear type	
Displacement	43 cc	2.62 in ³
Lifting capacity	2500 kg @ 150 bar	5511 lb @ 2175 psi
Recovery speed at work load ⁽¹⁾	50 l/min @ 12.5 m/min	11.4 USG/min @ 41 ft/min
Deck thickness ⁽²⁾	30 ÷ 60 mm (1" 3/16 ÷ 2" 5/16)	
Weight	165 kg	363.8 lb
ADJUSTMENT VALUES (recommended by Quick)		
Flow rate	70 l/min	18.5 USG/min
Maximum pressure	150 bar	2175 psi

(1) Measurements carried out with gypsy for 16 mm stud-link chain.

(2) Studs for greater deck thickness can be supplied upon request.



1.2 - XR8 Technical Data

ELECTRIC MODELS	XR8 AC 5500 X/Y	XR8 AC 7500 X/Y
MOTOR POWER	5500 W AC	7500 W AC
Motor voltage ⁽¹⁾	230/400 V	400/690 V
Maximum instantaneous pull	4500 kg (9921 lb)	6500 kg (14330 lb)
Maximum work load	2500 kg (5511 lb)	3500 kg (7716 lb)
Maximum recovery speed ⁽²⁾	14.5 m/min (47.5 ft/min)	14 m/min (46 ft/min)
Deck thickness ⁽³⁾	30 ÷ 60 mm (1" 3/16 ÷ 2" 5/16)	
Weight	297 kg (654 lb)	303 kg (668 lb)

(1) Three-phase motor • (2) Measurements carried out with gypsy for 20.5 mm STUD-LINK chain. • (3) Studs for greater deck thickness can be supplied upon request.

HYDRAULIC MODEL	XR8 HYDRO X/Y	
Motor type	Reversible gear type	
Displacement	43 cc	2.62 in ³
Lifting capacity	3000 kg @ 170 bar	6613 lb @ 2465 psi
Recovery speed at work load ⁽¹⁾	14 m/min	46 ft/min
Deck thickness ⁽²⁾	30 ÷ 60 mm 1" 3/16 ÷ 2" 23/64 inch	
Weight	280.5 kg	618 lb
ADJUSTMENT VALUES (recommended by Quick)		
Flow rate	70 l/min	18.5 USG/min
Maximum pressure	170 bar	2175 psi

(1) Measurements carried out with gypsy for 20.5 mm STUD-LINK chain. • (2) Studs for greater deck thickness can be supplied upon request.

1.3 - XR9 Technical Data

ELECTRIC MODELS	XR9 AC 15000 X/Y
MOTOR POWER	15000 W AC
Motor voltage ⁽¹⁾	400/690 V
Maximum instantaneous pull	17637 Kg (38882 lb)
Maximum work load	13227 Kg (29160 lb)
Maximum recovery speed ⁽²⁾	15 m/min (49 ft/min)
Deck thickness ⁽³⁾	30 ÷ 60 mm (1" 3/16 ÷ 2" 23/64)
Weight	580 kg (654 lb)

(1) Three-phase motor- (2) Measurements carried out with gypsy for 26 mm STUD-LINK chain. - (3) Studs for greater deck thickness can be supplied upon request.

HYDRAULIC MODEL	XR9 HYDRO X/Y	
Motor type	Reversible gear type	
Displacement	43 cc	2.62 in ³
Lifting capacity	6000 kg @ 180 bar	6613 lb @ 456 bar
Recovery speed at work load ⁽¹⁾	15 m/min	49 ft/min
Deck thickness ⁽²⁾	30 ÷ 60 mm 1" 3/16 ÷ 2" 23/64 inch	
Weight	565 kg	1245 lb
ADJUSTMENT VALUES (recommended by Quick)		
Flow rate	70 l/min	18.5 USG/min
Maximum pressure	170 bar	2175 psi

(1) Measurements carried out with gypsy for 26 mm STUD-LINK chain. - (2) Studs for greater deck thickness can be supplied upon request.



1.4 - Chains and tightening torques

XR7

GYPSY	14 mm		16 mm		18 mm		12.5 mm	14 mm	16 mm
SUPPORTED CHAIN	14 mm	14 mm	16 mm	16 mm	18 mm	18mm	12.5 mm	14 mm	16 mm
	DIN 766	ISO(**)	DIN 766	ISO(**)	DIN 766	ISO(**)	STUD-LINK	STUD-LINK	STUD-LINK

(**) ISO EN 818-3.

XR8

GYPSY	16 mm	19 mm		20.5 mm	22 mm
SUPPORTED CHAIN	16 mm	17.5 mm	19 mm	20.5 mm	22 mm
	STUD-LINK	STUD-LINK		STUD-LINK	STUD-LINK

XR7 XR8 XR9 TIGHTENING TORQUE	Nm
M6	6.5
M8	16
M10	31
M12	55
M14	87
M16	135

Indicative values for stainless steel screws, consider tightening by evaluating the material of the surface where it will be fastened.

XR9

GYPSY	22 mm	24 mm	26 mm
SUPPORTED CHAIN	22 mm	24 mm	26 mm
	STUDLINK	STUDLINK	STUDLINK



2.0 - Standard supply and material included in the package

- Windlass (top + gearmotor)
- Contactor or reversing contactor box (DC model only)
- Lever
- Screws for assembly
- Installation and user's manual, Warranty
- Drilling template

2.1 - Quick® accessories required, not included in standard supply

- RH/LH chain pipe
- Band brake handwheel

2.2 - Tools required for installation

- XR7** • Drill with bit: Ø 15 mm (19/32") • Hole saw Ø 200 mm (7" 7/8) • Hex wrench: 17 and 19 mm
- XR8** • Drill with bit: Ø 15 mm (19/32") • Hole saw Ø 250 mm (9" 27/32) • Hex wrench: 17 and 19 mm
- XR9** • Drill with bit: Ø 18 mm (45/64") • Hole saw Ø 340 mm (13" 25/64) • Hex wrench: 24 mm

2.3 - Recommended Quick® accessories not included

- EC - BOX Electrical connection box for AC motors (XR7/XR8)
- Inverter
- Control from control board
- Waterproof push-button panel
- Foot-operated switch
- Control system via RRC radio
- Chain stopper



BEFORE USING THE PRODUCT, PLEASE READ THIS USER'S MANUAL CAREFULLY. IF IN DOUBT, PLEASE CONSULT YOUR QUICK® DEALER.

3.0 - Important notes

This manual features Warning and/or Caution symbols that are important for safety. Please follow the instructions provided.



Warning symbol for dangerous situations.



Caution symbol to prevent direct or indirect damage to the product.

This document provides boat manufacturers and nautical equipment installers with instructions on how to assemble the Quick® product and operate it correctly.

3.1 - Precautions



Quick® windlasses have been designed and manufactured to weigh the anchor

- Do not use these products for any other type of operation.
- Quick® shall not be held liable for direct or indirect damage caused by improper use of the product.
- The windlass is not designed to support loads generated in particular weather conditions (storm).
- Operate the product from a position where it is possible to supervise the work area.
- Always deactivate the windlass when not being used.
- Make sure that there are no bathers nearby before dropping the anchor.
- For improved safety, we recommend installing at least two controls to operate the windlass in case one is damaged.
- We recommend the use of Quick® switch as motor safety device.
- Secure the chain with a retainer before sailing off.
- **24 V MODEL ONLY:** The reversing contactor box must be installed in a position protected from any water entry.
- After completing the anchorage, secure the chain to fixed points such as chain stopper or bollard.
- To prevent accidental releases, the anchor must be secured. The windlass must not be used as sole securing device.
- Isolate the windlass from the electrical system during navigation and secure the rope to a fixed point of the boat.
- This equipment is not intended for use by people (including children) with reduced physical, sensory or mental capabilities. Quick® SpA shall not be held liable for direct or indirect damage caused by improper use of the equipment.

3.2- Precautions for the installer



CARRY OUT THE INSTALLATION IN GOOD LIGHTING CONDITIONS.

It is advisable to wear suitable clothing and personal protective equipment (PPE).

The product is not suitable for installation in potentially explosive environments and/or atmospheres. Installation and subsequent inspection or repair work must only be carried out by qualified personnel.



CARRY OUT INSTALLATION/MAINTENANCE WORK MAKING SURE THAT THE PRODUCT IS DISCONNECTED FROM THE ELECTRICAL SYSTEM.

Quick accepts no responsibility for inadequate connection of users to the electrical system and inadequate safety of the electrical system.



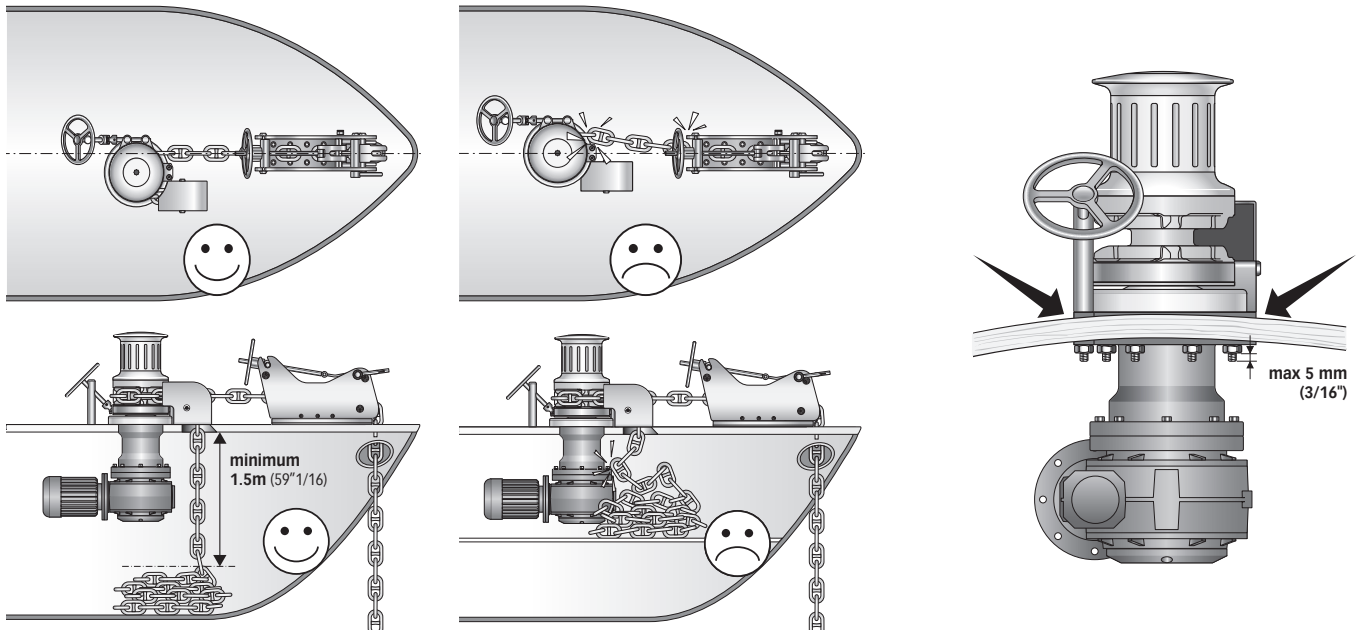
4.0 - Installation requirements

The windlass must be positioned by aligning the gypsy with the bow roller.

Check that the upper and lower surfaces of the deck are as parallel as possible; if this is not the case, properly compensate for the difference (lack of parallelism could result in motor power loss).

The deck thickness must be between the values shown in the table (Sect.1). In case of different thickness, please contact your Quick® dealer.

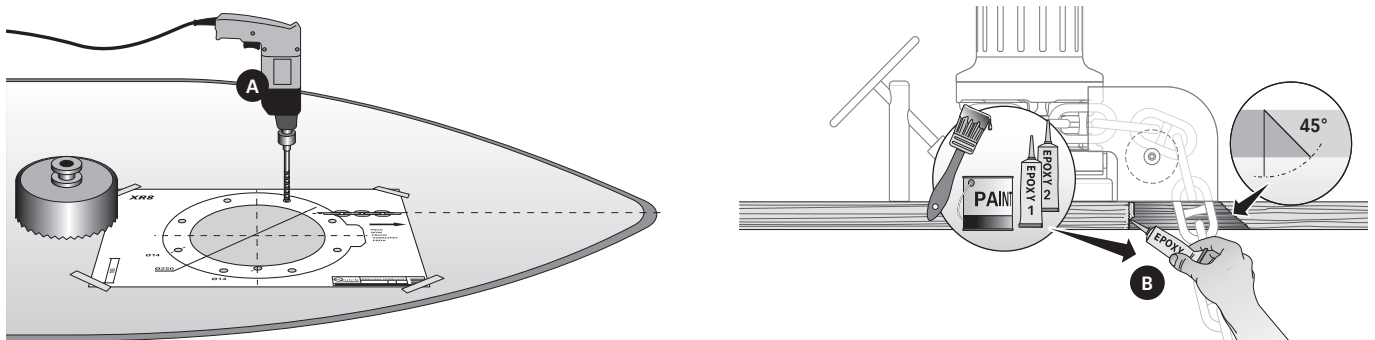
There must be no obstacles below deck for chain passage, the shallow depth of the locker could cause jams.



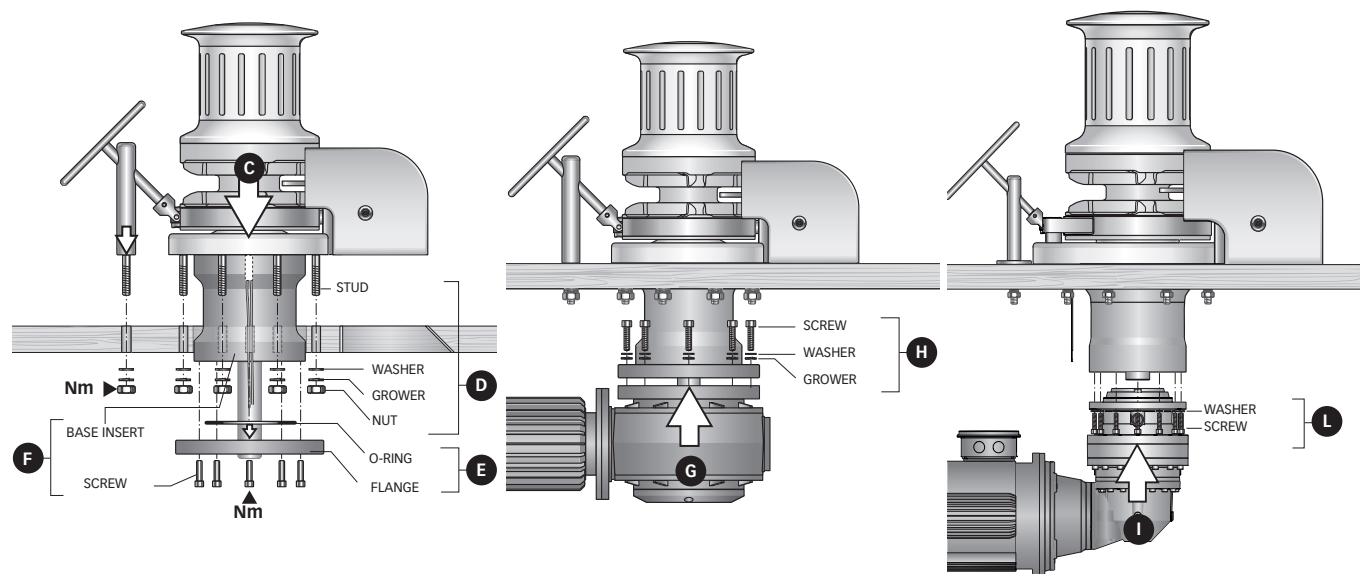
4.1 - Installation procedures

A) Identify the ideal position and drill the holes using the drilling template supplied.

B) Remove the excess material from the chain passage hole, finish it and smooth it with a specific product (marine paint, epoxy resin gel) ensuring the free passage of the chain.



XR7/XR8 • C) Position the upper part of the windlass. **D)** Secure it by screwing the nuts on the locking studs. **E)** Insert the O-ring into the flange. **F)** Secure the flange to the base insert with 6 screws. **G)** Insert the gearmotor into the windlass shaft. **H)** Tighten with screws. **XR9 • C)** Position the upper part of the windlass. **D)** Secure it by screwing the nuts on the locking studs. **I)** Insert the gearmotor into the windlass shaft. **L)** Tighten with screws.



Tighten screws and nuts following a cross pattern with reference to the tightening values shown in the table (page 7). Apply threadlocker on the screws supplied. Periodically check proper tightening of screws.

ELECTRIC MOTOR Connect the power cables coming from the windlass to the mains (AC).

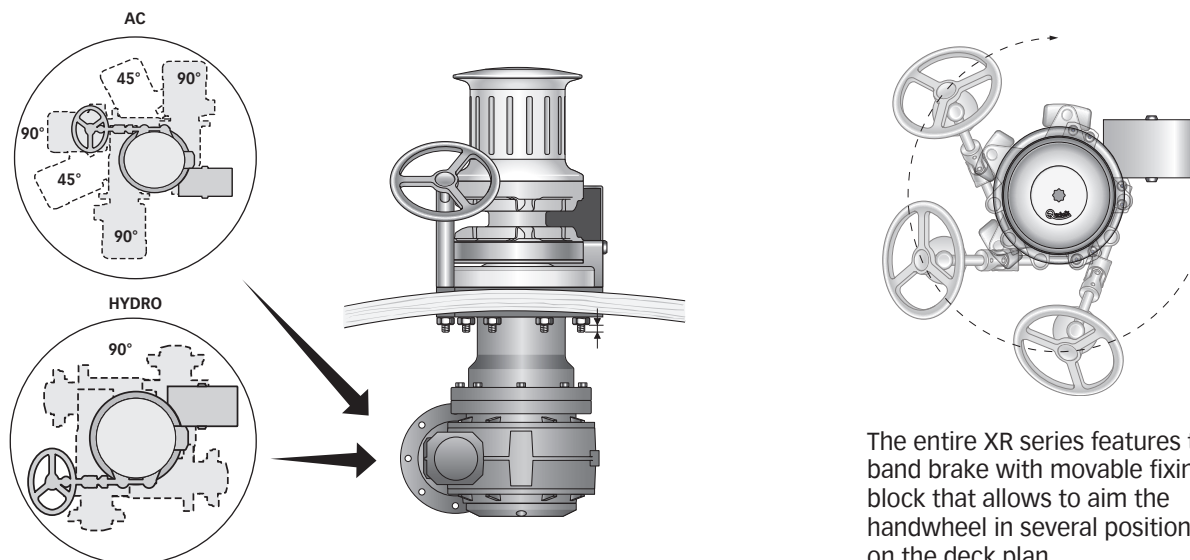
HYDRAULIC MOTOR Connect the pipes coming from the distribution valve to the two hydraulic motor flanges (see wiring diagram on page --).

WARNING: before connecting the equipment, make sure that cables are not live.

HORIZONTAL POSITION OF GEARMOTOR AND HYDRAULIC MOTOR

ELECTRIC Depending on the type of gearmotor, a rotation every 45° or 90° is possible.

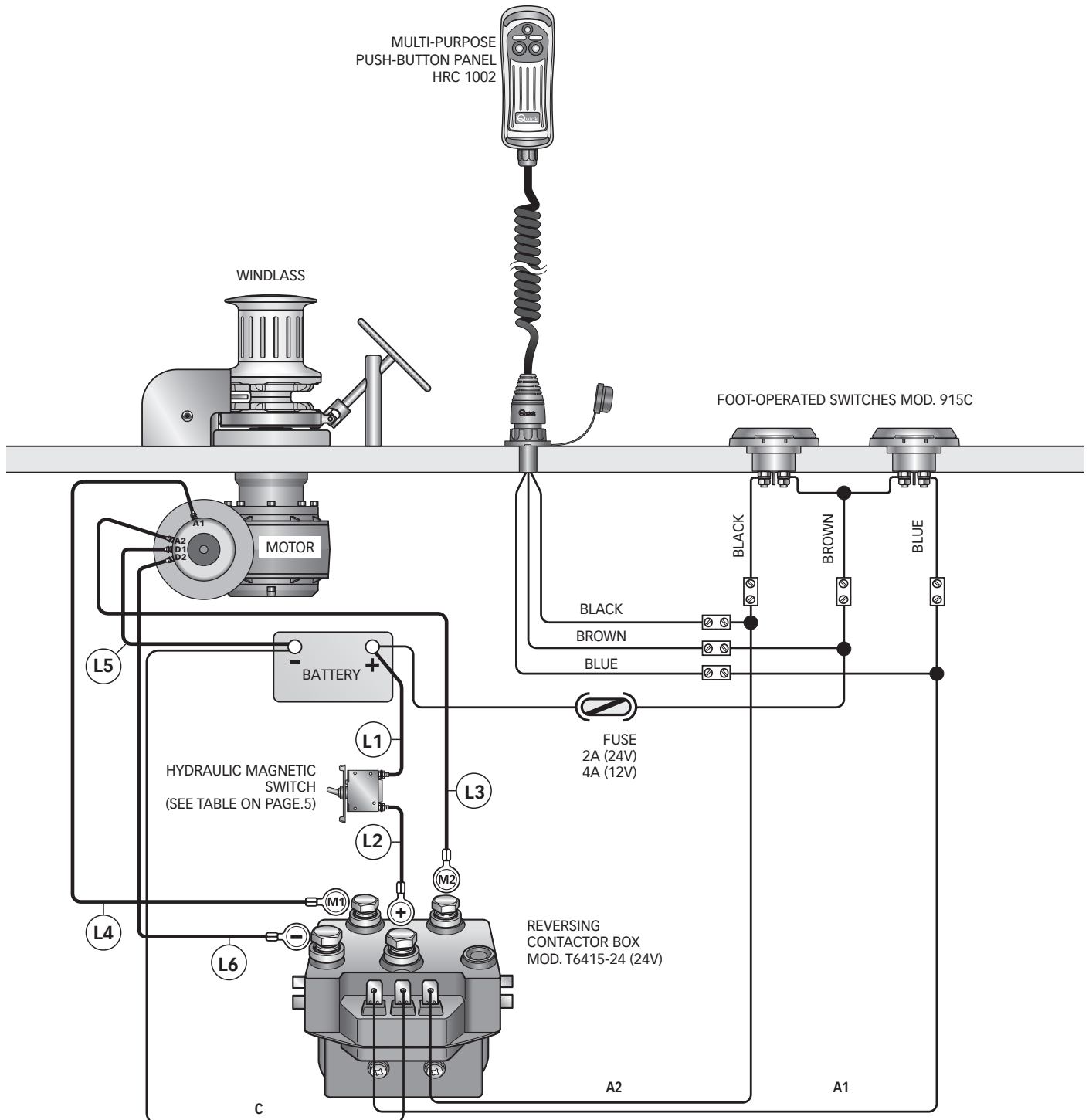
HYDRAULIC Depending on the type of motor, a rotation every 90° is possible.



The entire XR series features the band brake with movable fixing block that allows to aim the handwheel in several positions on the deck plan.



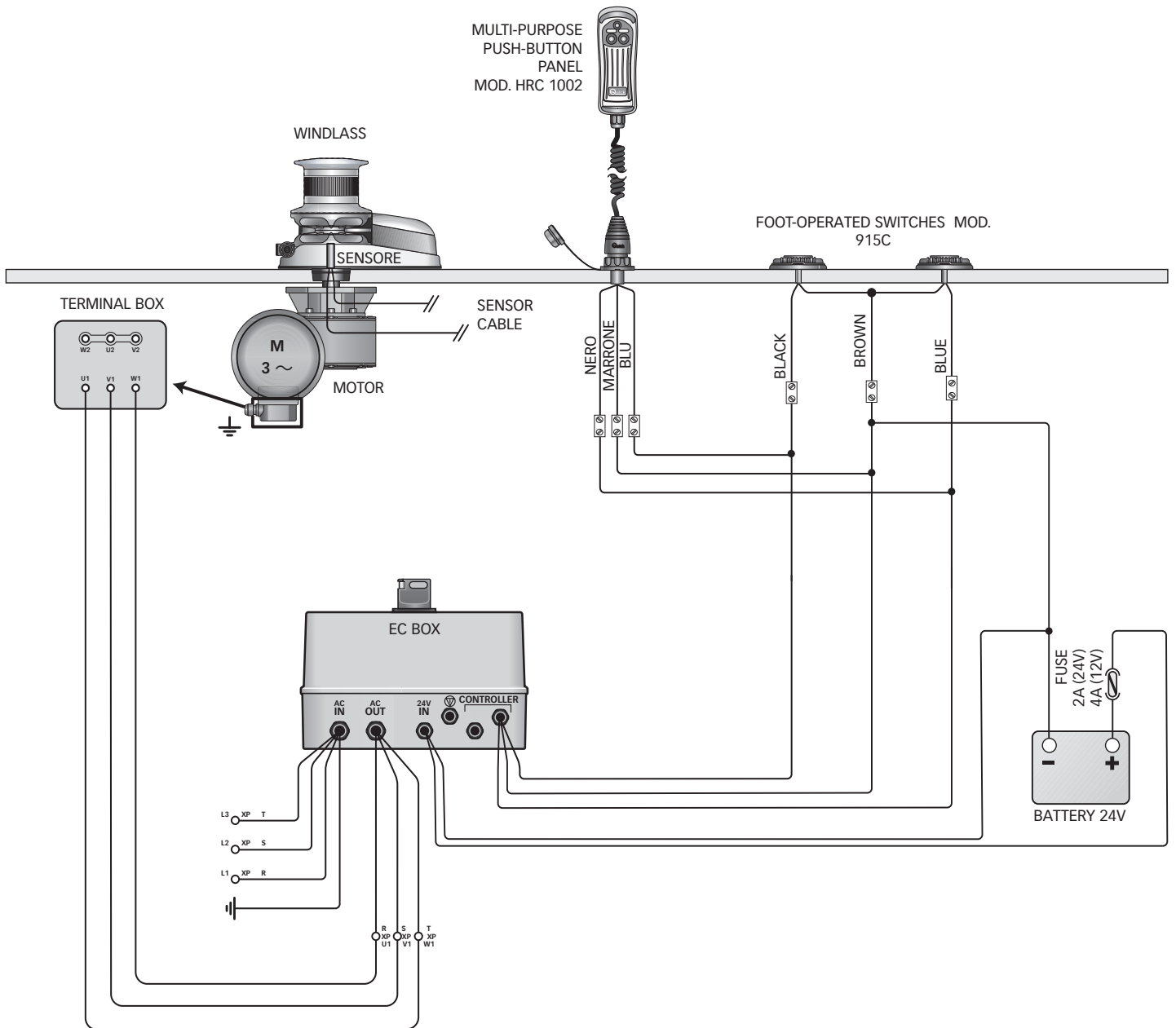
5.0 - Example of connection XR7 4000W DC



$$L = (L1) + (L2) + (L3) + (L4) + (L5) + (L6)$$

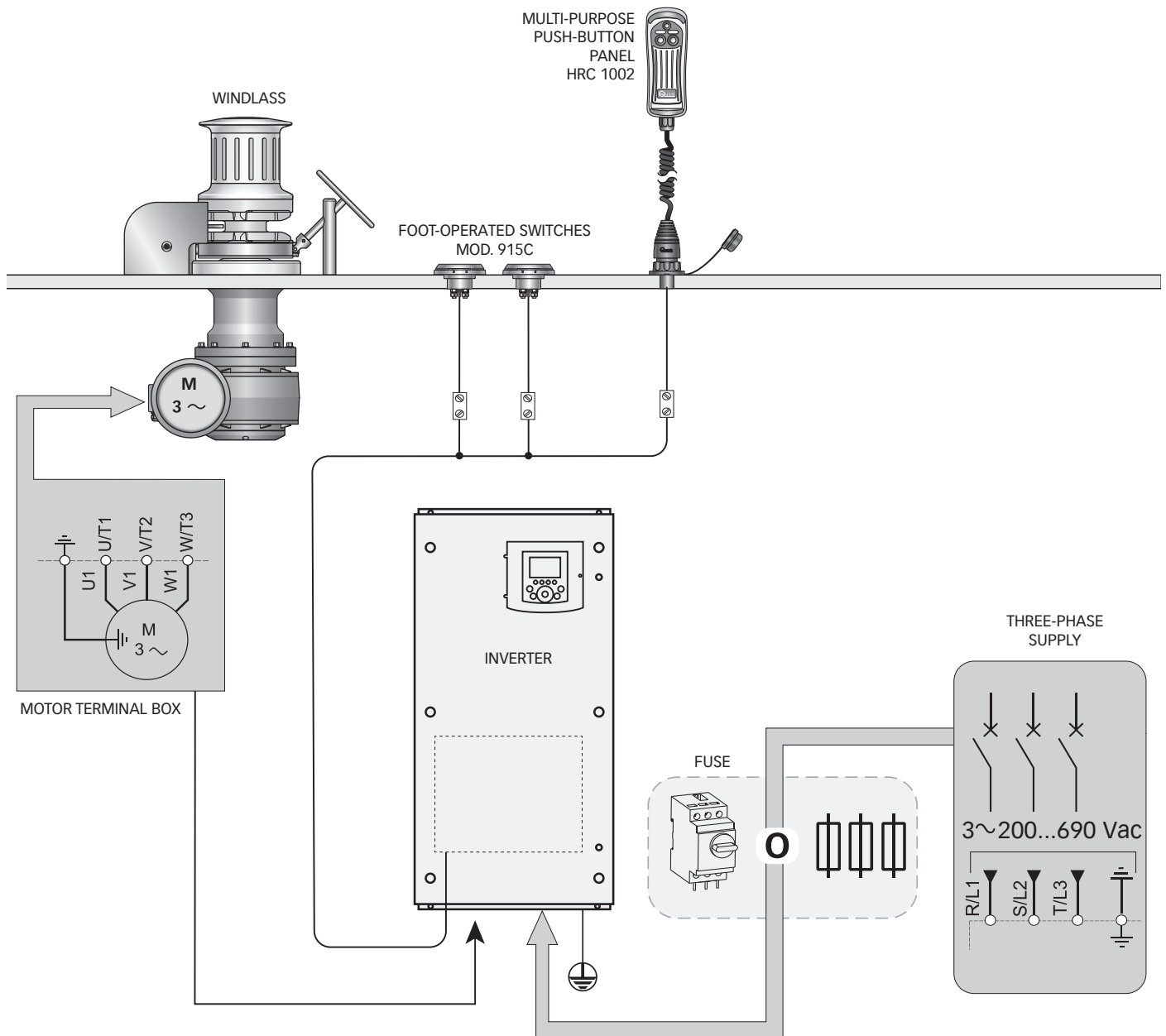


5.1 - Example of connection XR7 (4000-5000) XR8 (5500) EC-BOX



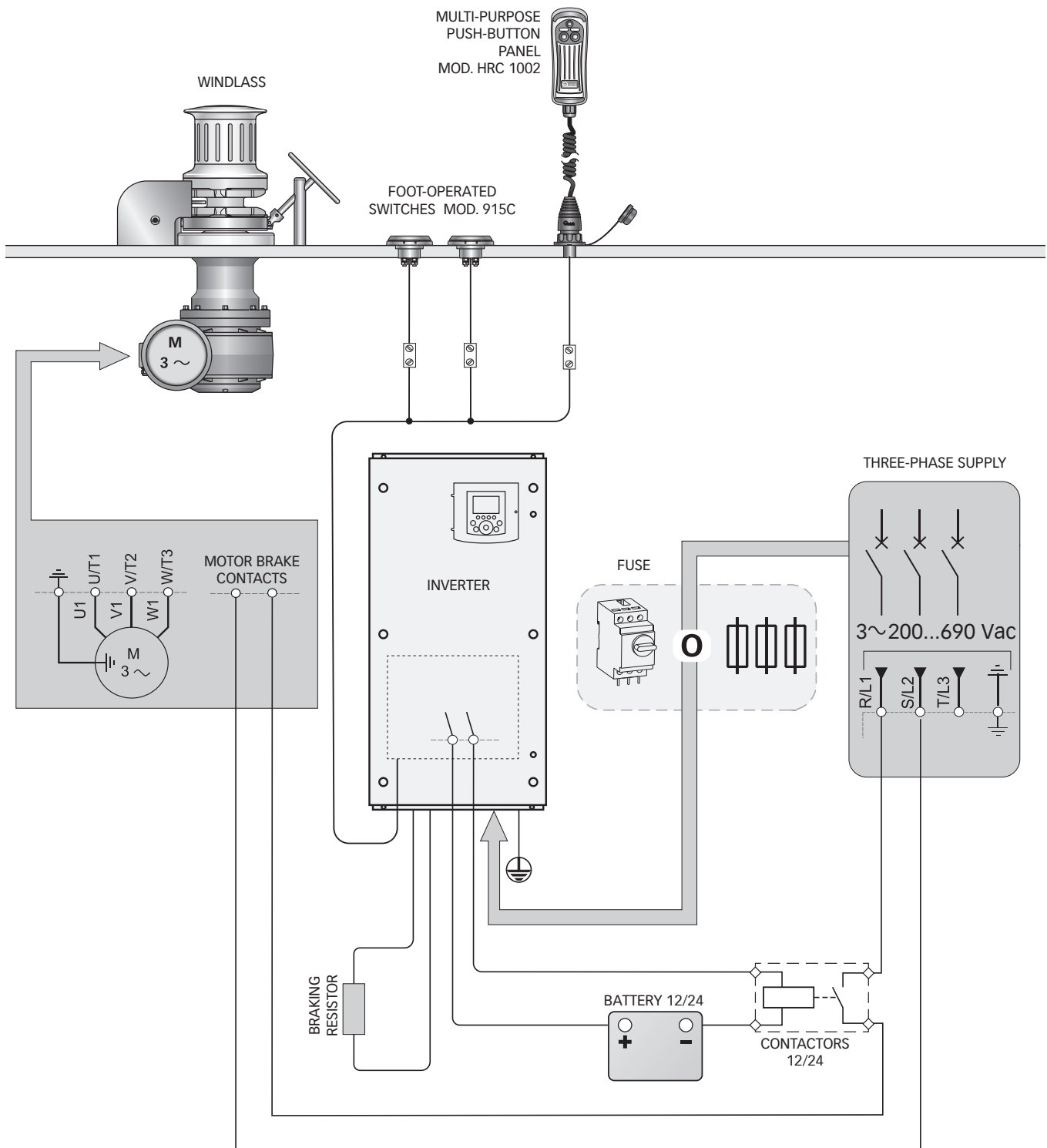


5.2 - Example of connection Inverter XR7 XR8





5.3 - Example of connection XR9





6.0 - Important cautions



DO NOT place any part of your body or objects near the chain and gypsy sliding area.

Operate the windlass from a position where it is possible to supervise the work area.

Make sure the electric motor is not powered when the windlass is operated manually (also when using the lever to lift the drum). In fact, people with windlass remote control (remote push-button panel or radio control) may accidentally activate it.

Secure the chain with a retainer before sailing off.

DO NOT electrically activate the windlass with the lever inserted in the drum or gypsy cover.



Quick® recommends using a suitable power fuse/thermal-magnetic/hydraulic-magnetic protection depending on the motor used, to protect the motor from overheating or short circuit.



The circuit breaker can be used to isolate the windlass control circuit, thus avoiding accidental activation.

6.1 Use

POWER TRANSMISSION

The central axis is connected to the reduction gear and the drum. The gypsy is dragged by the drum through front couplings on the gypsy.

When the drum (9) is up (Fig. A) and the bushing (3) is fully unscrewed, the gypsy (14) is free.

When the drum (9) is down (Fig. B) and the bushing (3) is fully screwed, the gypsy (14) is connected to the axis through the drum and it is possible to weigh the anchor.

GYPSY COUPLING

1) Use the lever (1) to screw the bushing (3) clockwise; the drum (9) lowers and engages the gypsy (14).

Make sure that the notches (image ref.A1) on the drum and the gypsy are aligned.

⚠ The bushing must not be too tight, in this way the drum can rotate on the gypsy and engage the front couplings through the springs (8).

2) Use the lever (1) to unscrew the bushing by rotating it counter-clockwise by 1/4 of a turn.

3) Remove the lever.

4) Operate the motor. The springs (8) in the bushing allow to engage the front couplings between drum and gypsy.

5) Visually check that the coupling has been carried out (Fig. B) and screw the bushing clockwise.

6) Remove the lever.

7) Release the band brake (25) if the windlass must be used.

ANCHOR WEIGHING WITH MOTOR

1) Make sure that the drum is coupled to the gypsy (Fig. B).

2) Use Quick® controls to weigh or release the anchor.

FIG. A

⚠ DO NOT STRAIN THE LIMIT SWITCH

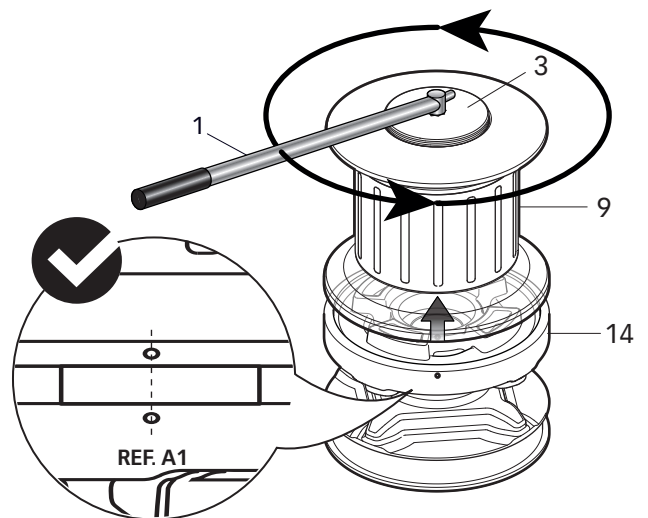
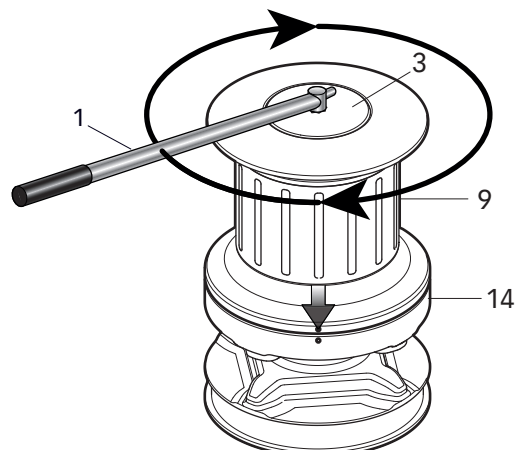


FIG. B



**FREE FALL**

- 1) Make sure that Quick® chain stopper is in a position that does NOT lock the chain (Fig. C).
- 2) Make sure that the band brake is completely tight.
- 3) ⚠ Unscrew the bushing counter-clockwise until its end of stroke and make sure that the drum is up, disengaged from the gypsy (Fig. A).
- 4) Use the handwheel to loosen the band brake and adjust the anchor free fall.

USING THE DRUM (GYPSY LOCKED)

- 1) Make sure that Quick® chain stopper is in a position that locks the chain (Fig. D).
- 2) Make sure that the band brake is completely tight.
- 3) ⚠ Unscrew the bushing counter-clockwise until its end of stroke and make sure that the drum is up, disengaged from the gypsy (Fig. A).
- 4) Use Quick® controls to rotate the drum in either direction (Fig. E). Wrap the rope counter-clockwise around the drum (at least 3 turns - Fig. F). It is possible to adjust speed reduction and recovery force by sliding the rope on the drum cylinder.



WARNING: during recovery, keep a suitable safety distance between your hands and the windlass drum.

FIG. C

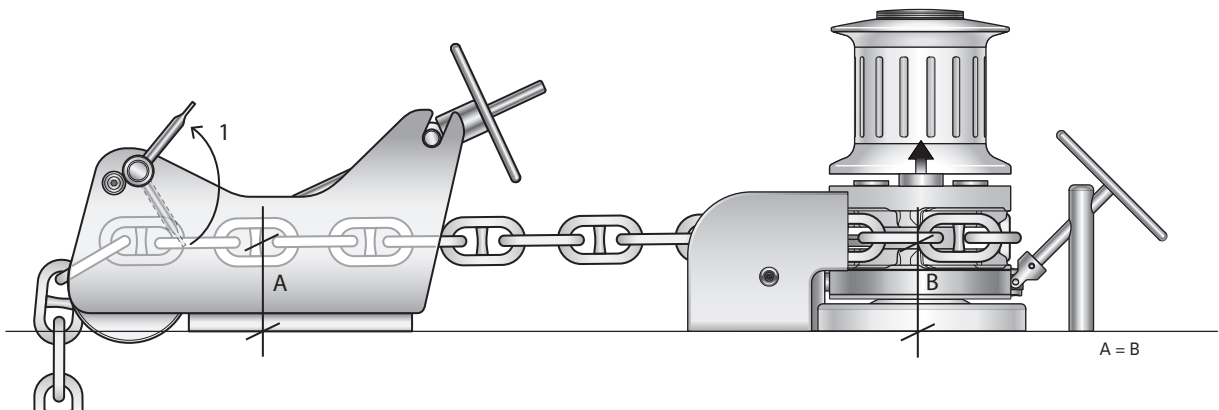


FIG. D

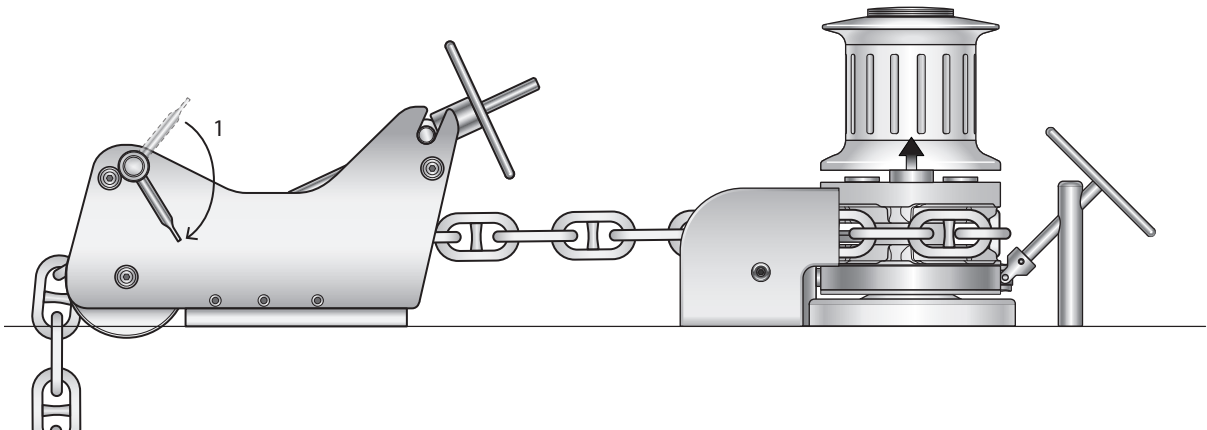


FIG. E

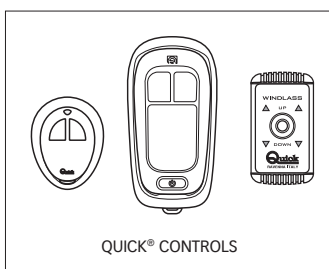
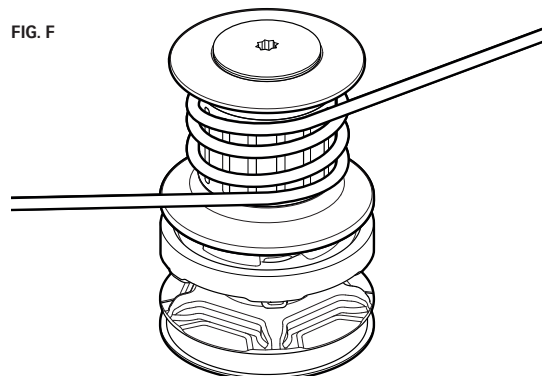


FIG. F





WARNING: make sure that the electric motor is not powered when manually working on the windlass. Remove with care the chain or rope from the gypsy or the rope from the drum.

Quick® windlasses are made of materials resistant to the marine environment: it is essential, in any case, to periodically remove salt deposits that form on the external surfaces to avoid corrosion and consequently damage to the device.

- Thoroughly wash the surfaces and parts where salt can deposit with fresh water.
- Once a year, disassemble the gypsy and the drum according to the following sequence:
Clean every disassembled part to prevent corrosion, and grease (with marine grease) the shaft thread and the gypsy.



8 - Product disposal

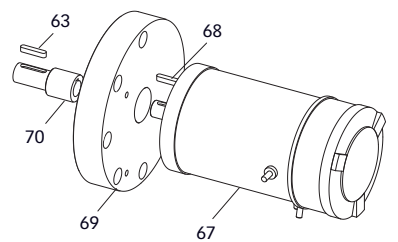
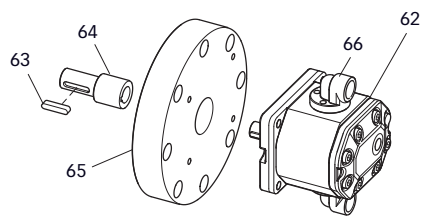
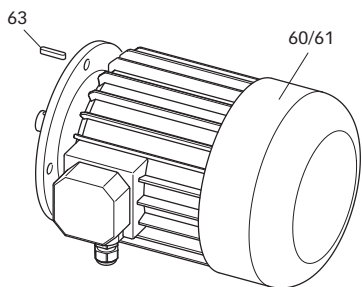
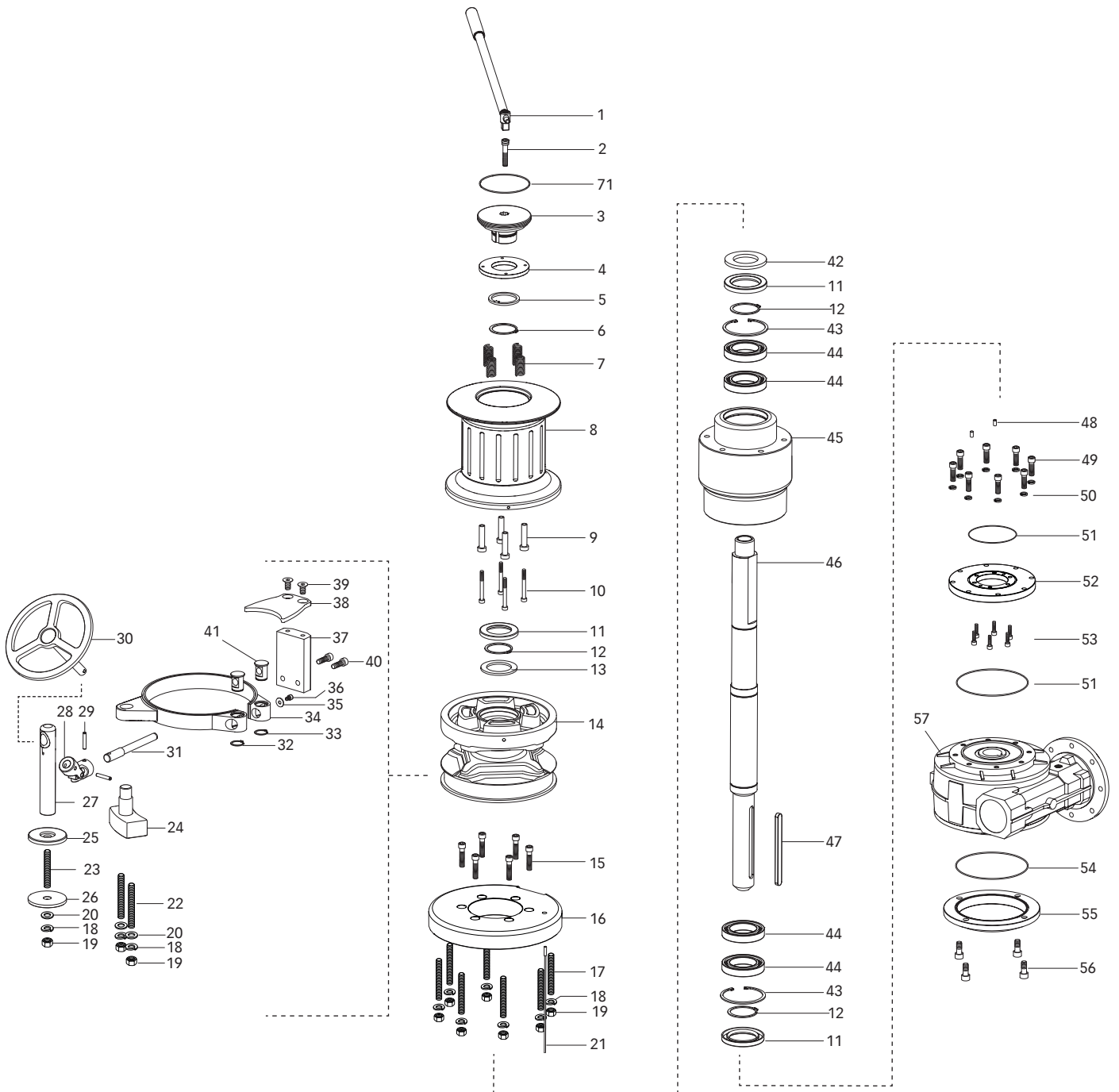
As with installation, at the end of this product life, dismantling must be carried out by qualified personnel.

This product is made up of various materials, some can be recycled and others must be suitably disposed of; enquire about the recycling or disposal systems provided for by local regulations for this product category.

Some parts of the product may contain pollutants or hazardous substances that, if dispersed, may be harmful to the environment and human health.



As indicated by the symbol on the side, it is forbidden to dispose of this product as domestic waste. Separate the products for disposal in accordance with the regulations in force in your area or return the product to the seller when purchasing a new equivalent product. Local regulations may impose severe penalties for the improper disposal of this product.





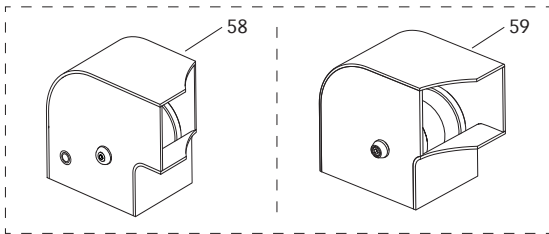
9.0 - XR7 spare parts

Refer to the exploded view on page 20

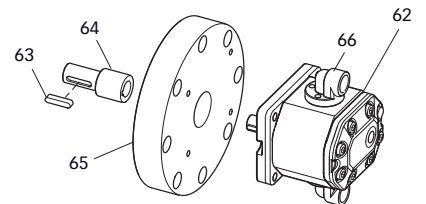
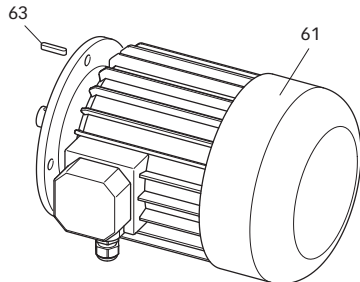
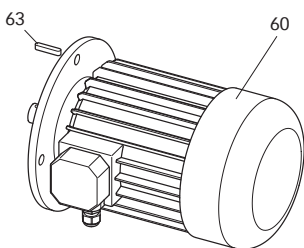
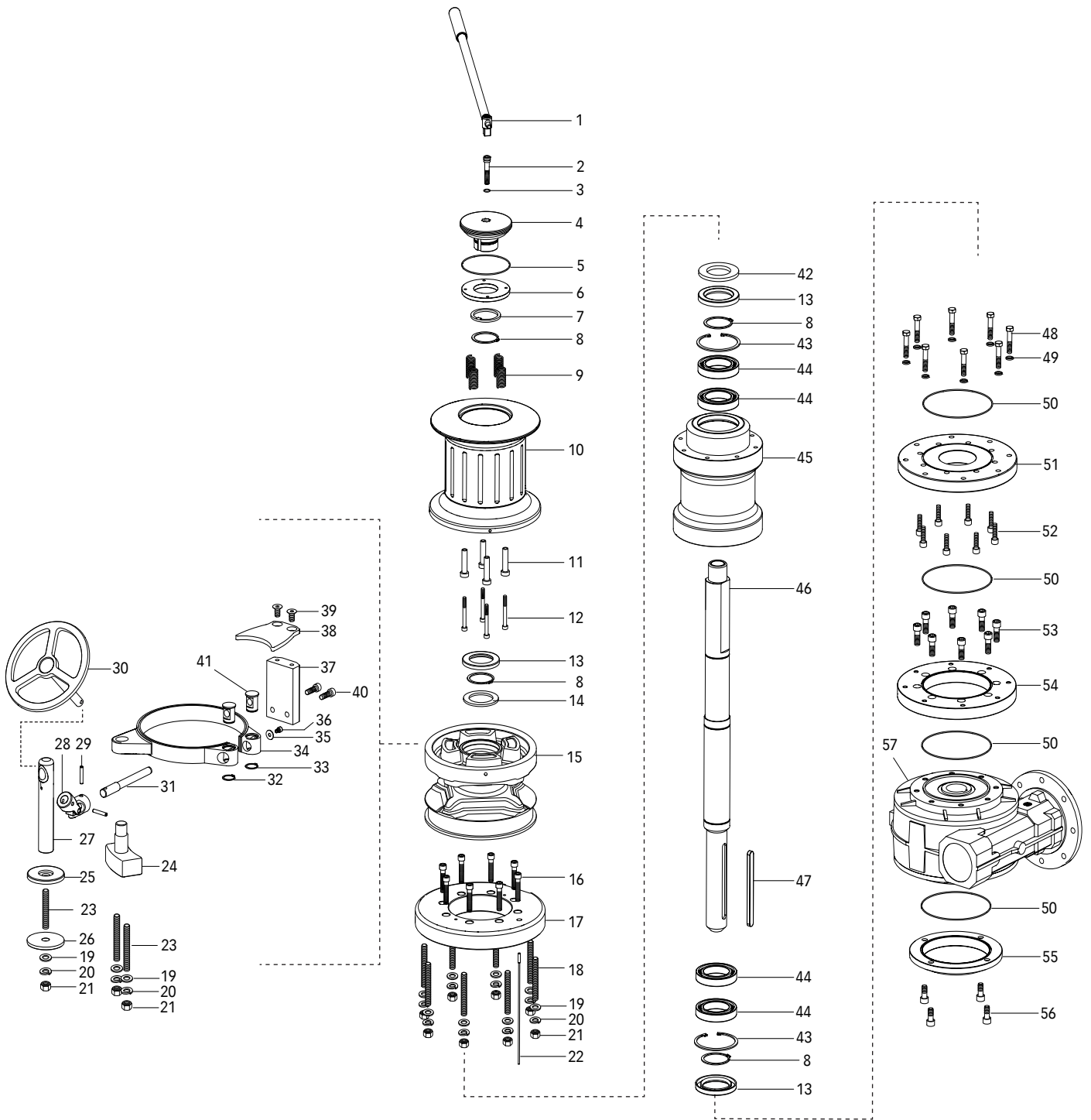
CODE	DESCRIPTION	PART NO.
FVSSBXR71250A00	12.5MM GYPSY OSP, XR7 STUD-LINK	14
FVSSBXR71400A00	14MM GYPSY OSP, XR7 STUD-LINK	14
FVSSBXR71600A00	16MM GYPSY OSP, XR7 STUD-LINK	14
FVSSMSEXR700A00	XR7 WINDLASS BUSHING AND DRUM OSP	3 - 4 - 5 - 6 - 7 - 8 - 9

9.1 - XR7 spare parts - Accessories not included as standard

CODE	DESCRIPTION	PART NO.
FSRBXR700000A00	XR7 STAINLESS STEEL REMOTE BRAKE HANDWHEEL	18 - 19 - 20 - 23 - 25 - 26 - 27 - 28 - 29 - 30
FSPSXR7SX0R1A00	XR7 COMPL LH STAINLESS STEEL CHAIN PIPE	58
FSPSXR7DX0R1A00	XR7 COMPL RH STAINLESS STEEL CHAIN PIPE	59



No.	NAME	27	REMOTE BRAKE ROD	53	SCREW
1	LEVER	28	UNIVERSAL JOINT	54	O-RING
2	SCREW	29	ELASTIC PIN	55	REDUCTION GEAR CLOSING FLANGE
3	XR7 DRUM BUSHING	30	REMOTE BRAKE HANDWHEEL	56	SCREW
4	XR7 DRUM DISC	31	BAND BRAKE SHAFT	57	REDUCTION GEAR
5	ANTI-ROTATION RING	32	EXTERNAL SNAP RING	58	RH CHAIN PIPE
6	EXTERNAL SNAP RING	33	EXTERNAL SNAP RING	59	LH CHAIN PIPE
7	SPRING	34	XR8 SERIES BAND BRAKE	60	5.5KW MOTOR
8	XR7 WINDLASS DRUM	35	FLAT WASHER	61	7.5KW MOTOR
9	DRUM DISC SPACER	36	SCREW	62	HYDRAULIC MOTOR
10	SCREW	37	XR7 CHAIN STRIPPER SUPPORT	63	KEY
11	OIL SEAL	38	XR7 SERIES CHAIN STRIPPER	64	ADAPTER
13	ANTI-ROTATION RING	39	COUNTERSUNK SCREW	65	HYDRAULIC MOTOR FLANGE
14	GYPSY	40	SCREW	66	90° G3/4 FEMALE FLANGE
15	SCREW	41	XR7 BRASS PIN	67	3000 W MOTOR
16	XR7 SERIES WINDLASS BASE	42	7000W REINFORCING WASHER	68	KEY
17	STUD	43	INTERNAL SNAP RING	69	3000 W MOTOR FLANGE
18	GROWER	44	BEARING	70	ADAPTER
19	NUT	45	XR7 BASE INSERT		
20	WASHER	46	XR7 SERIES WINDLASS SHAFT		
21	SENSOR	47	KEY		
22	STUD	48	PINS		
23	STUD	49	SCREW		
24	BAND BRAKE LOCK	50	GROWER		
25	UPPER WASHER	51	O-RING		
26	LOWER WASHER	52	HUB FLANGE		





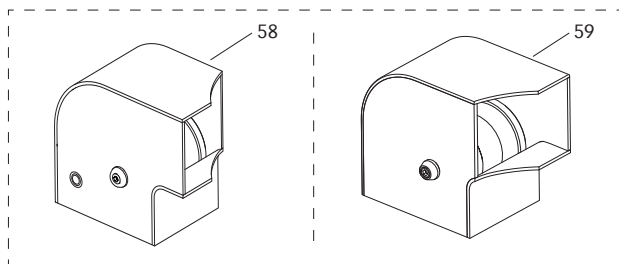
10.0 - XR8 spare parts

Refer to the exploded view on page 22

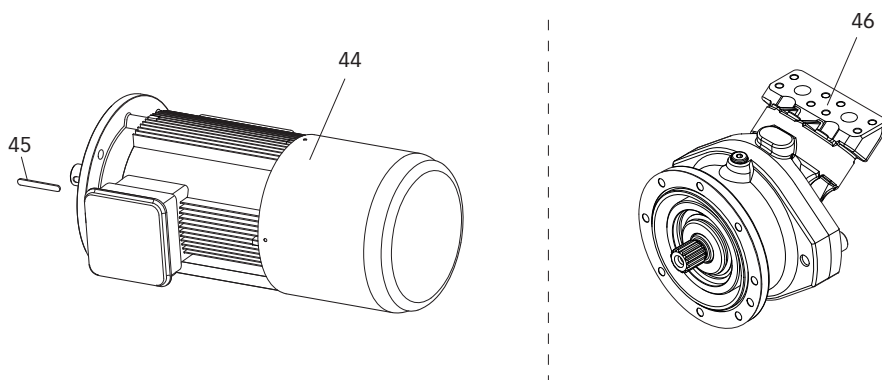
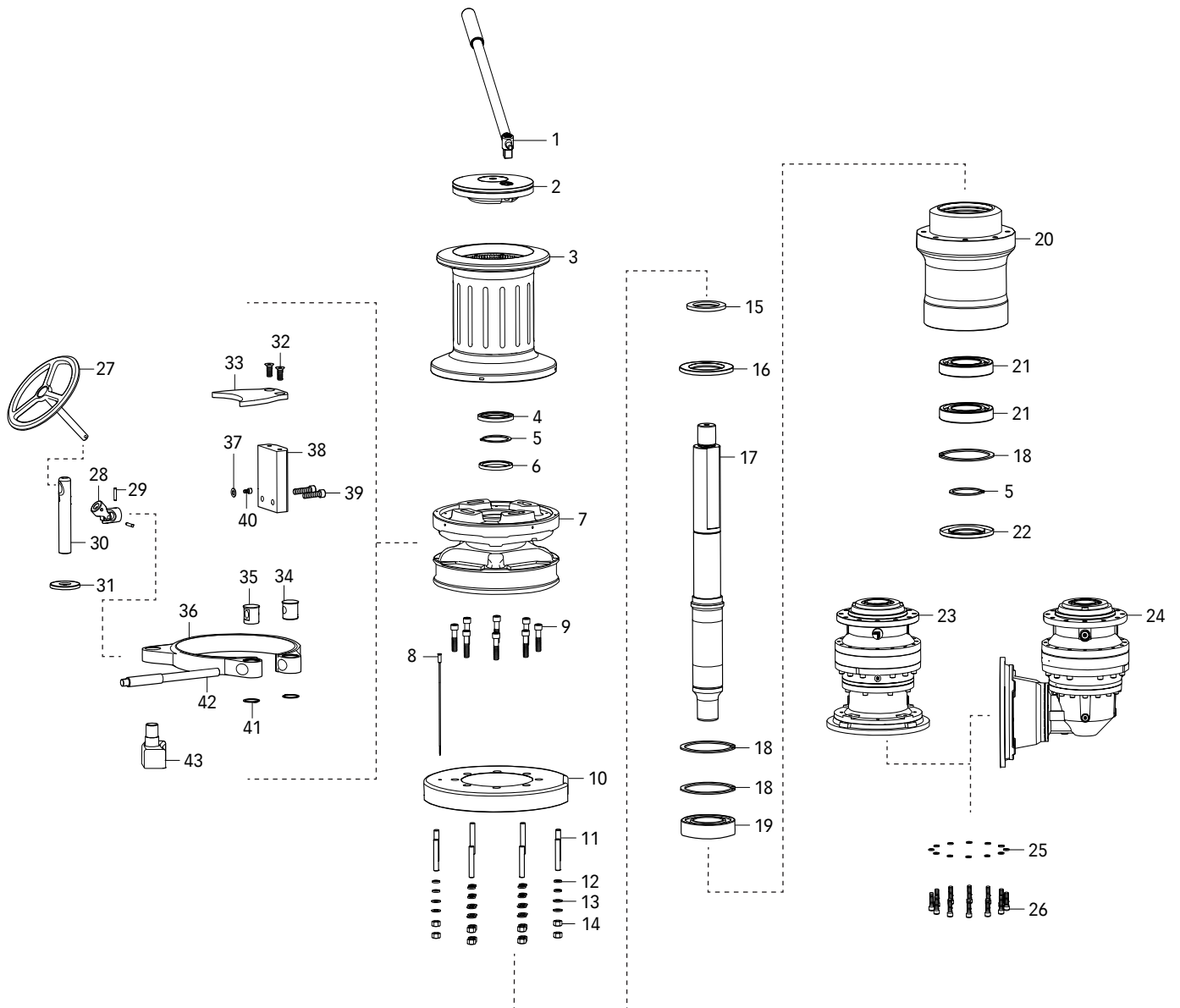
CODE	DESCRIPTION	PART NO.
FVSSBXR81600A00	16MM GYPSY OSP, XR8 STUD-LINK	15
FVSSBXR81900A00	17.5/19MM GYPSY OSP, XR8 STUD-LINK	15
FVSSBXR82050A00	20.5MM GYPSY OSP, XR8 STUD-LINK	15
FVSSBXR82200A00	22MM GYPSY OSP, XR8 STUD-LINK	15
FVSSMSEXR800A00	XR8 WINDLASS BUSHING AND DRUM OSP	4 - 6 - 7 - 8 - 9 -10 - 11

10.1 - XR8 spare parts - Accessories not included as standard

CODE	DESCRIPTION	PART NO.
FSRBXR800000A00	XR8 STAINLESS STEEL REMOTE BRAKE HANDWHEEL	19 - 20 - 21 - 23 - 25 - 27 - 26 - 28 - 29 - 30
FSPSXR8SX000A00	XR8 COMPL LH STAINLESS STEEL CHAIN PIPE	58
FSPSXR8DX000A00	XR8 COMPL RH STAINLESS STEEL CHAIN PIPE	59



No.	NAME	24	BAND BRAKE LOCK	48	SCREW
1	LEVER	25	UPPER WASHER	49	GROWER
2	SCREW	26	LOWER WASHER	50	O-RING
3	O-RING	27	REMOTE BRAKE ROD	51	HUB FLANGE
4	XR8 DRUM BUSHING	28	UNIVERSAL JOINT	52	SCREW
5	O-RING	29	ELASTIC PIN	53	SCREW
6	XR8 DRUM DISC	30	REMOTE BRAKE HANDWHEEL	54	REDUCTION GEAR FLANGE
7	ANTI-ROTATION RING	31	BAND BRAKE SHAFT	55	XR8 REDUCTION GEAR CLOSING FLANGE
8	EXTERNAL SNAP RING	32	EXTERNAL SNAP RING	56	SCREW
9	SPRING	33	EXTERNAL SNAP RING	57	TG150 REDUCTION GEAR
10	XR8 WINDLASS DRUM	34	XR8 SERIES BAND BRAKE	58	RH CHAIN PIPE
11	DRUM DISC SPACER	35	FLAT WASHER	59	LH CHAIN PIPE
12	SCREW	36	SCREW	60	5.5KW MOTOR
13	OIL SEAL	37	XR8 CHAIN STRIPPER SUPPORT	61	7.5KW MOTOR
14	ANTI-ROTATION RING	38	XR8 SERIES CHAIN STRIPPER	62	HYDRAULIC MOTOR
15	GYPSY	39	COUNTERSUNK SCREW	63	KEY
16	SCREW	40	SCREW	64	ADAPTER
17	XR8 SERIES WINDLASS BASE	41	XR8 BRASS PIN	65	HYDRAULIC MOTOR FLANGE
18	STUD	42	REINFORCING WASHER	66	90° FLANGE
19	WASHER	43	INTERNAL SNAP RING		
20	GROWER	44	BEARING		
21	NUT	45	XR8 BASE INSERT		
22	SENSOR	46	XR8 SERIES WINDLASS SHAFT		
23	STUD	47	KEY		





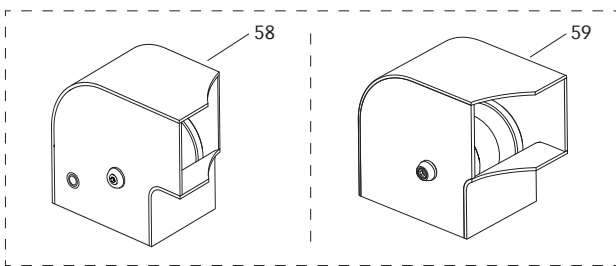
11.0 - XR9 spare parts

Refer to the exploded view on page 24

CODE	DESCRIPTION	PART NO.
FVSSBXR92200A00	16MM GYPSY OSP, XR9 STUD-LINK	7
FVSSBXR92400A00	20.5MM GYPSY OSP, XR9 STUD-LINK	7
FVSSBXR92600A00	22MM GYPSY OSP, XR9 STUD-LINK	7
FVSSMSEXR900A00	XR9 WINDLASS BUSHING AND DRUM OSP	2 - 3

11.1 - XR9 spare parts - Accessories not included as standard

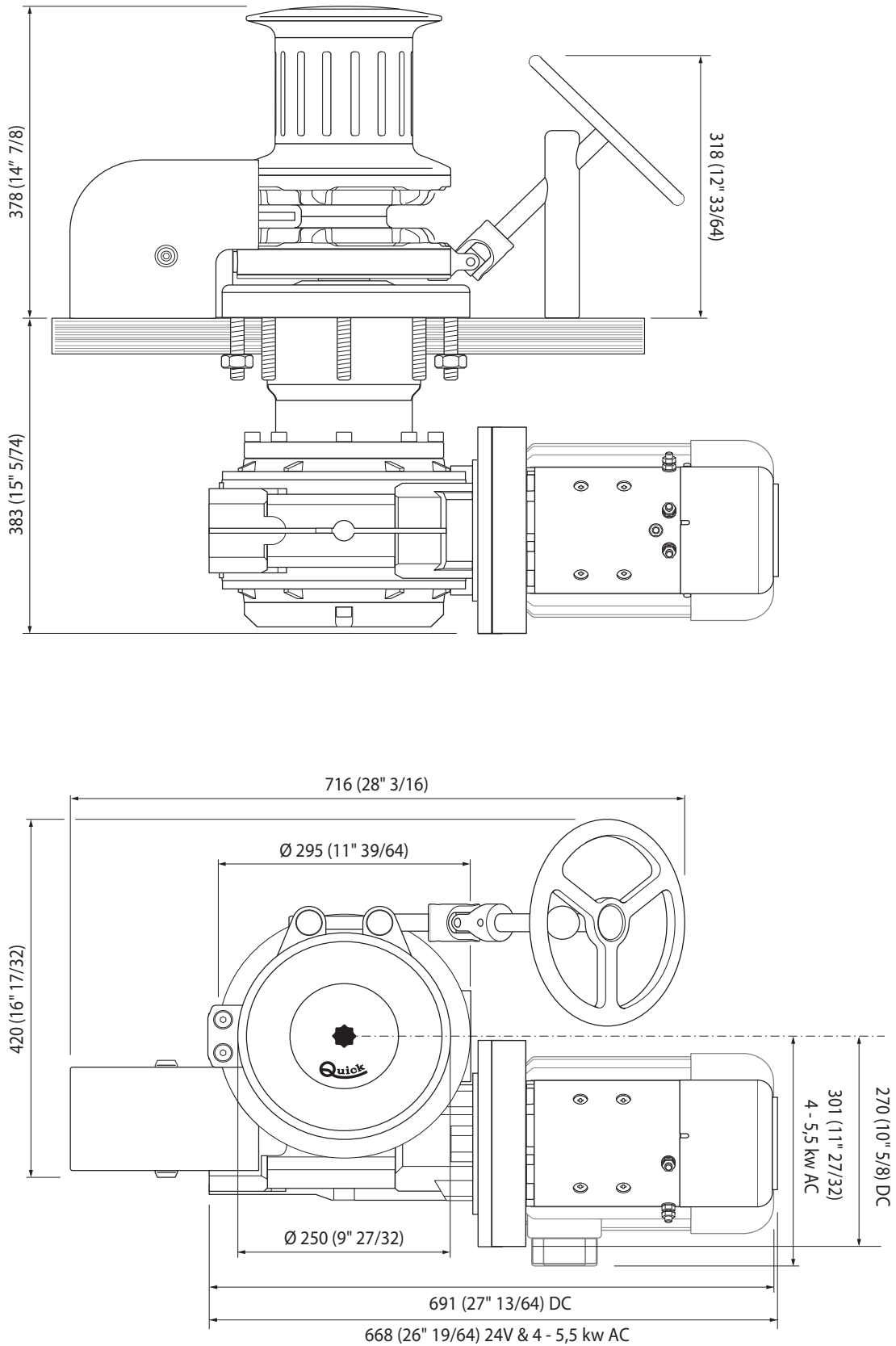
CODE	DESCRIPTION	PART NO.
FSRBXR900000A00	XR9 STAINLESS STEEL REMOTE BRAKE HANDWHEEL	27 - 28 - 29 - 30 - 31 - 34 - 35 - 36 - 41 - 42 - 43
FSPSXR9SX000A00	XR9 COMPL LH STAINLESS STEEL CHAIN PIPE	48
FSPSXR9DX000A00	XR9 COMPL RH STAINLESS STEEL CHAIN PIPE	47



No.	NAME	24 Vertical reduction gear	47 RH chain pipe
1	Lever	25 Upper washer	48 LH chain pipe
2	XR9 drum bushing	26 Screws	
3	XR9 windlass drum	27 Remote brake handwheel	
4	Oil seal	28 Universal joint	
5	O-ring	29 Elastic pin	
6	Anti-rotation ring	30 Remote brake rod	
7	Gypsy	31 Band brake shaft	
8	Sensor	32 External snap ring	
9	Screws	33 External snap ring	
10	XR9 series windlass base	34 XR8 series band brake	
11	Studs	35 Flat washer	
12	Washer	36 Screw	
13	Grower	37 XR8 chain stripper support	
14	Nut	38 XR8 series chain stripper	
15	Reinforcing washer	39 Countersunk screw	
16	Oil seal	40 Screw	
17	XR9 series windlass shaft	41 XR8 brass pin	
18	Internal snap ring	42 Band brake shaft	
19	Bearing	43 Band brake lock	
20	XR9 base insert	44A AC motor	
21	Bearing	44A AC motor	
22	Oil seal	45 Key	
23	Horizontal reduction gear	46 Hydraulic motor	

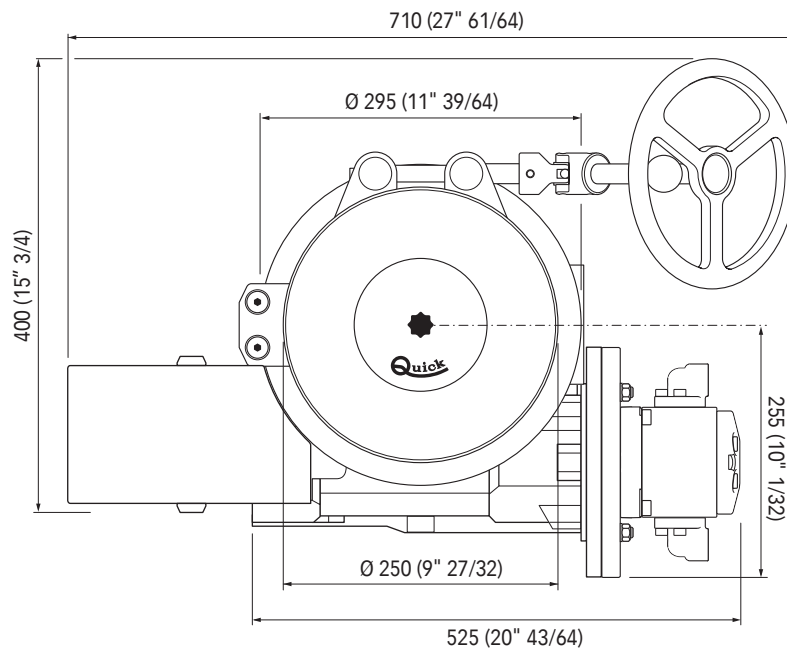
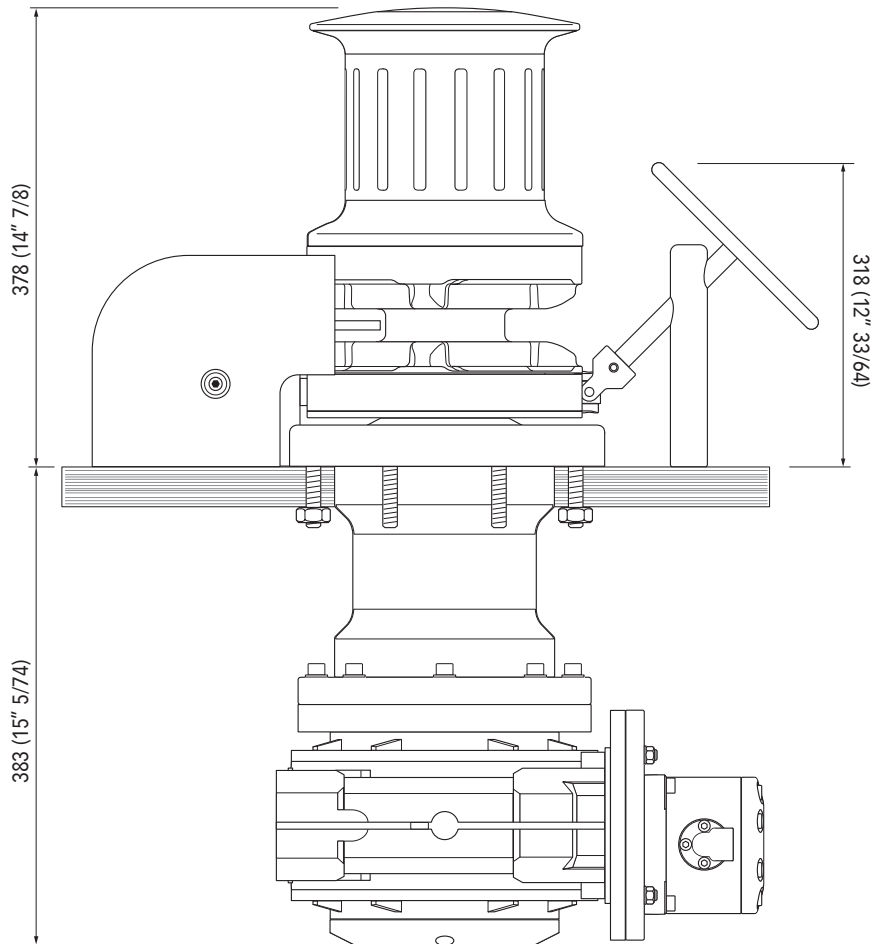


XR7 4000W DC
XR7 4000/5000W AC



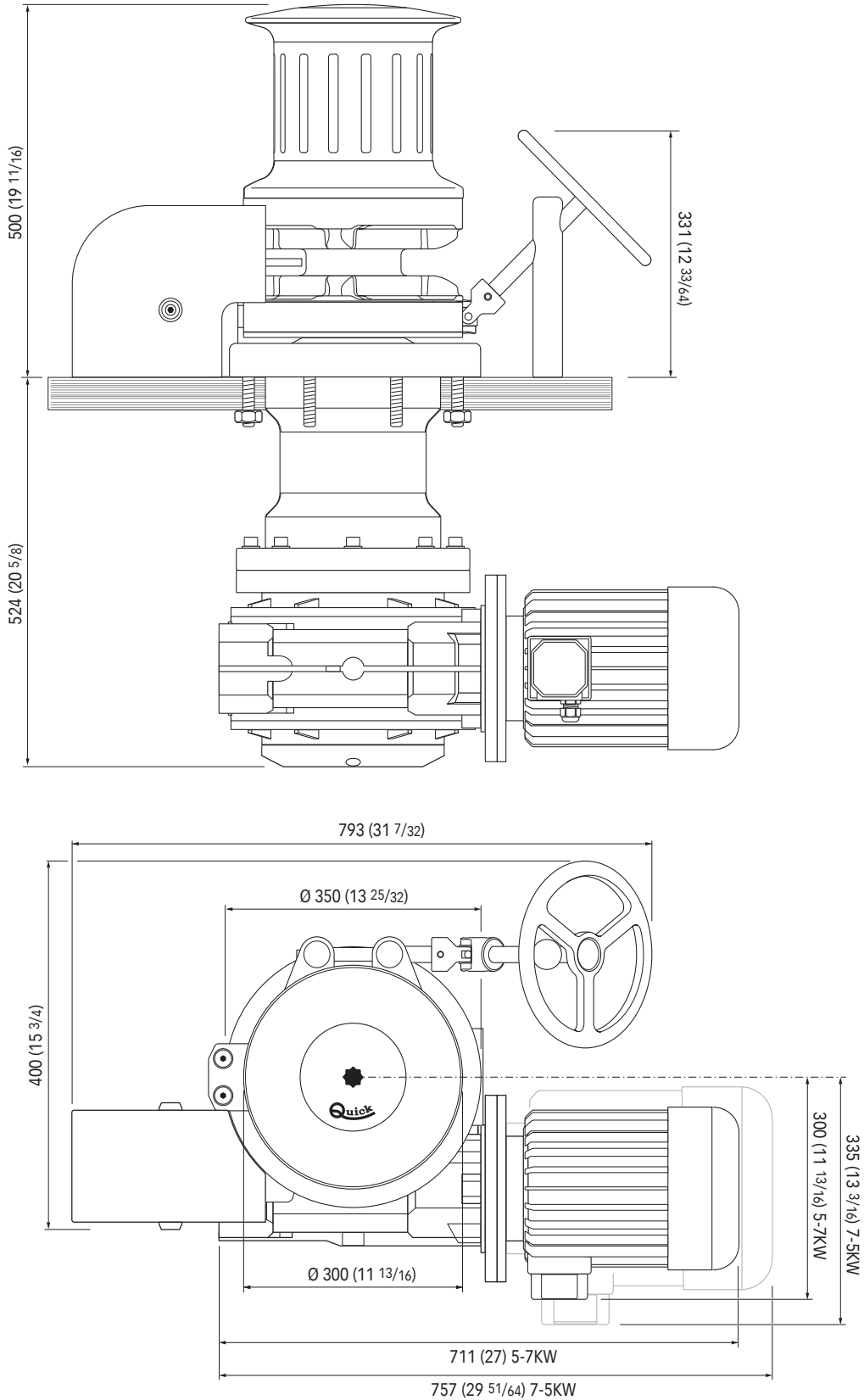


XR7 HYDRO



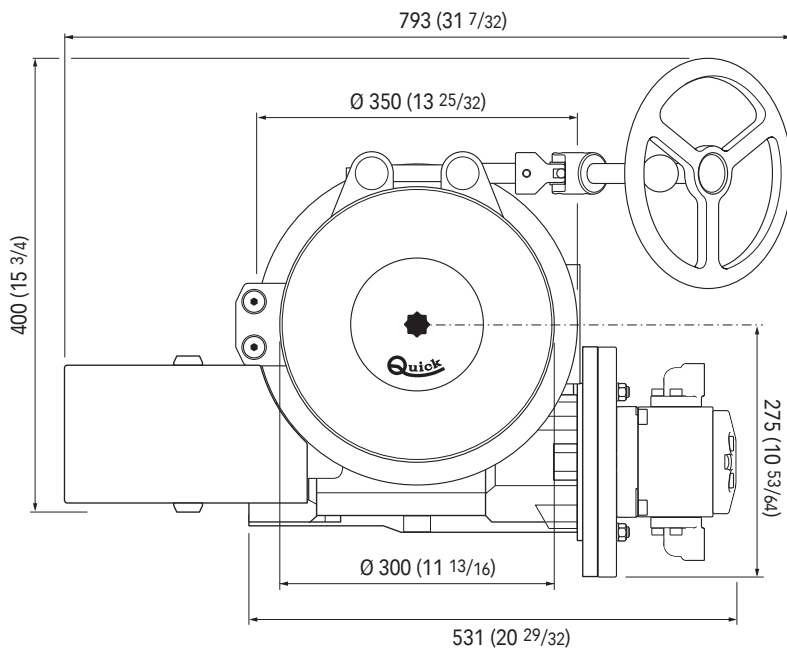
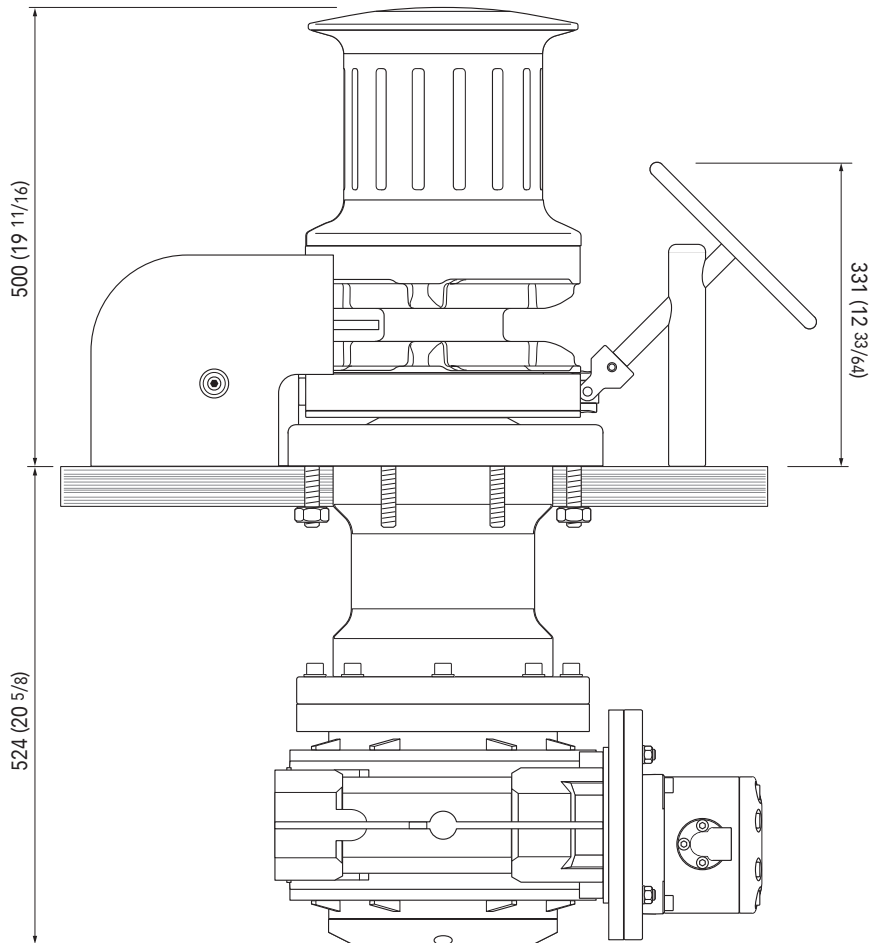


XR8 5500AC - 7500AC



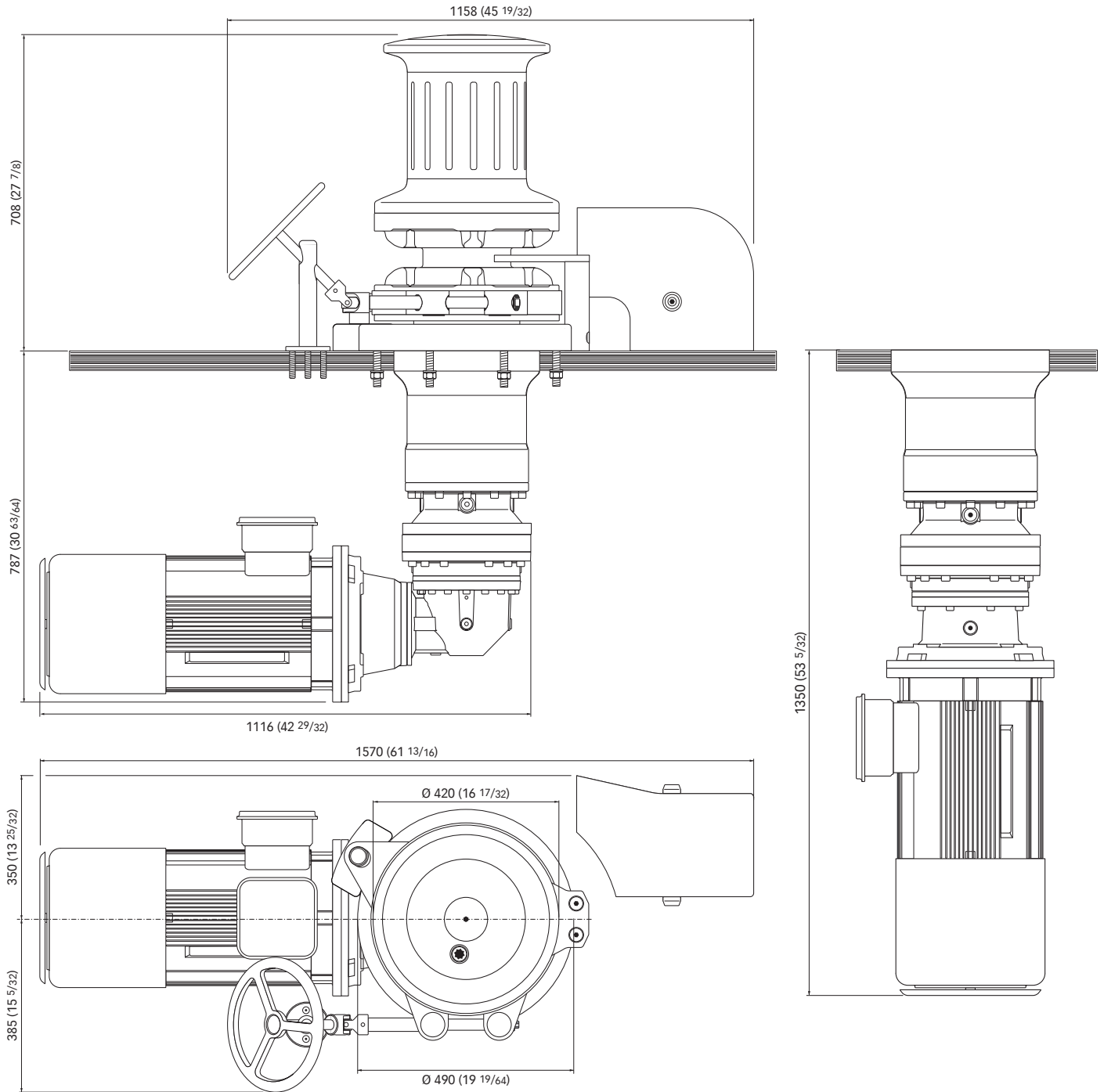


XR8 HYDRO



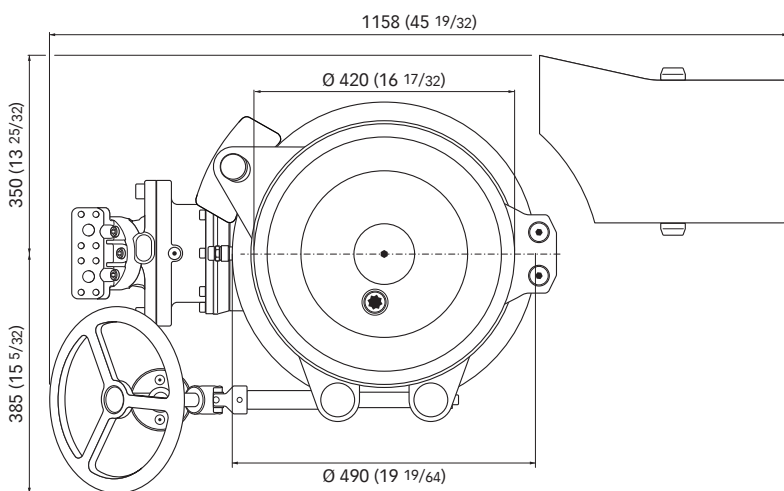
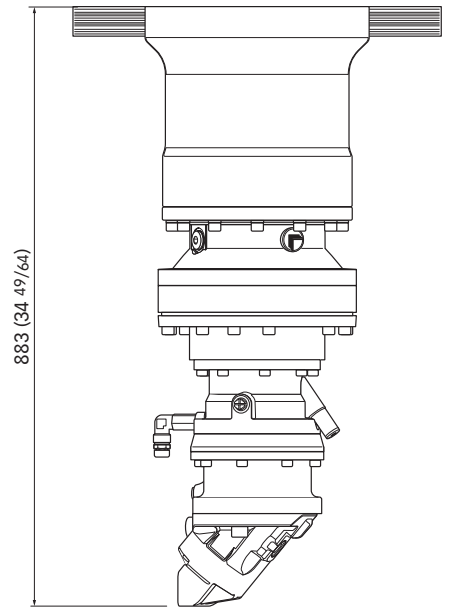
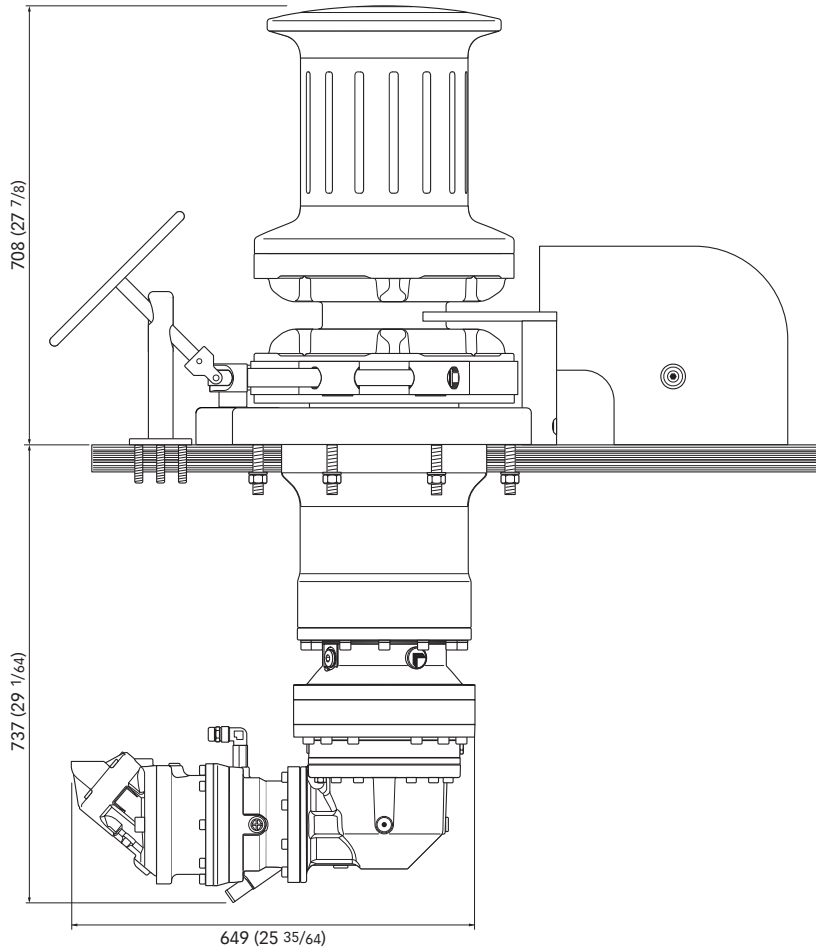


XR9 15000AC





XR9 HYDRO





A series of horizontal dotted lines spanning the width of the page, intended for handwritten notes.



A series of horizontal dotted lines for writing notes.

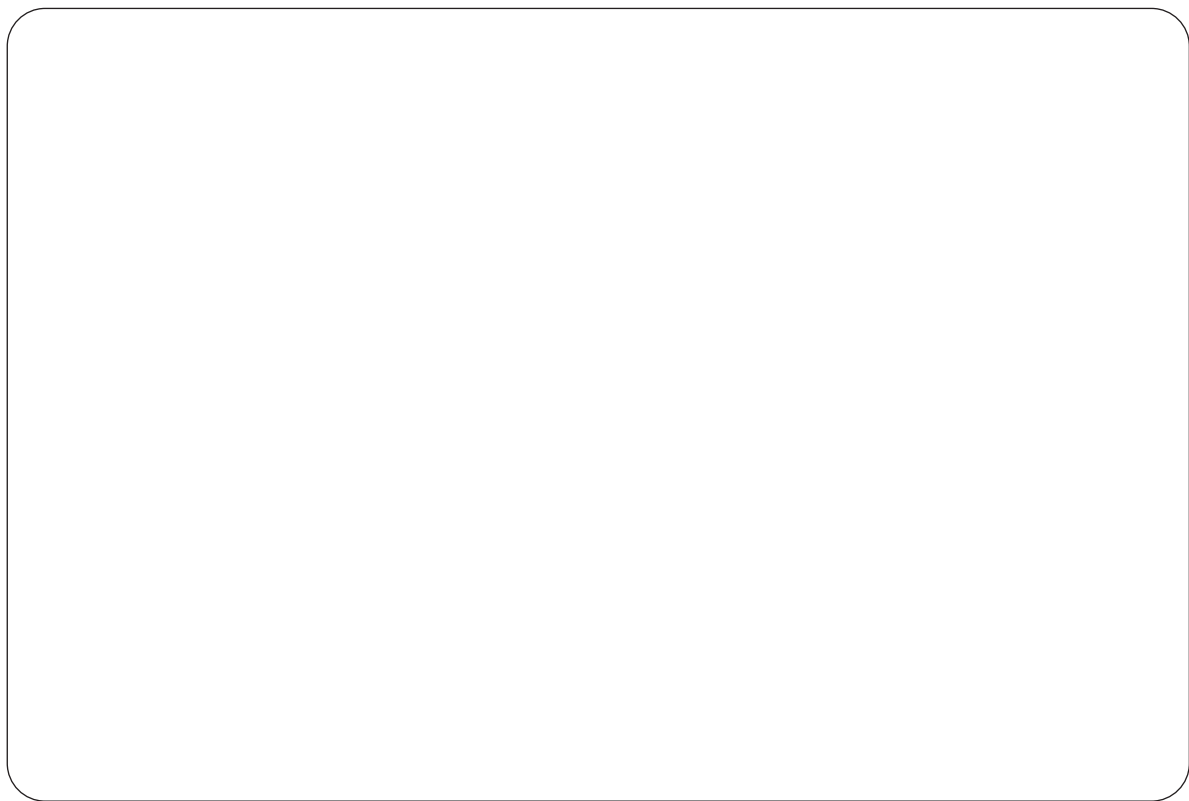
XRSeries

XR7 4024 DC - 4000 AC - 5500 AC - HYDRO

XR8 5500 AC - 7500 AC - HYDRO

XR9 15000 AC - HYDRO

REV 000A



Product serial number

