

# Sea Recovery Aqua Matic XL

Large to Mega Yachts  
(over 80 ft / 24 m)



## The Simple Things in Life Make the Difference

Robust Engineering and Innovative Design  
by Sea Recovery's Engineering Team.

Smooth operation and the lowest sound emission in the industry are gained through the design of specific high-pressure pumps ideally matched for flow and pressure characteristics.

Constructed of a lightweight, epoxy-coated frame, both the compact and modular series units utilize only the highest quality marine grade materials and components. Upgrading a model to a higher watermaking capacity is done by simply installing additional reverse osmosis membranes to the desalination system. Unique among watermakers, Sea Recovery delivers complete R.O. systems, ready to produce water immediately after installation. All plumbing for on board use is also included.



Aqua Matic XL - compact

## Contact Information:

Parker Hannifin Corporation  
**Water Purification**  
2630 E. El Presidio Street  
Carson, CA 90810

phone 310 608 5600  
fax 310 608 5692  
waterpurification@parker.com

**Website:**  
www.parker.com/waterpurification

**Sales:**  
waterpurification@parker.com

**Tech Support:**  
watertech@parker.com

## Features & Benefits:

- Installation connection & piping (marine vessel installations)
- All system readings can be selected to display either U.S. standard or metric measurements
- Tank level switches may be installed to control shut down and also prevent start up if the tanks are full
- All aspects of operation are displayed on straight forward screens providing simple, intuitive information and directions
- For those who demand simplicity, excellence, automation, elite technology, and low maintenance, the Aqua Matic XL is the only choice



ENGINEERING YOUR SUCCESS.

## Special Features

- 7 inch Color Remote-Mounted Touch Screen
- Real Time Water Quality Monitor
- Screens are Available in Multiple Languages



## Specifications

Model #	Production / Hr.	Production / 24 hrs.	Weight - Compact*	Weight - Modular*
2200	92 Gal / 347 L	2200 Gal / 8328 L	413 lbs / 187 kg	390 lbs / 176 kg
2600	108 Gal / 410 L	2600 Gal / 9842 L	413 lbs / 187 kg	400 lbs / 181 kg
2800	117 Gal / 442 L	2800 Gal / 10599 L	428 lbs / 194 kg	415 lbs / 188 kg
3400	142 Gal / 536 L	3400 Gal / 12870 L	439 lbs / 199 kg	432 lbs / 196 kg

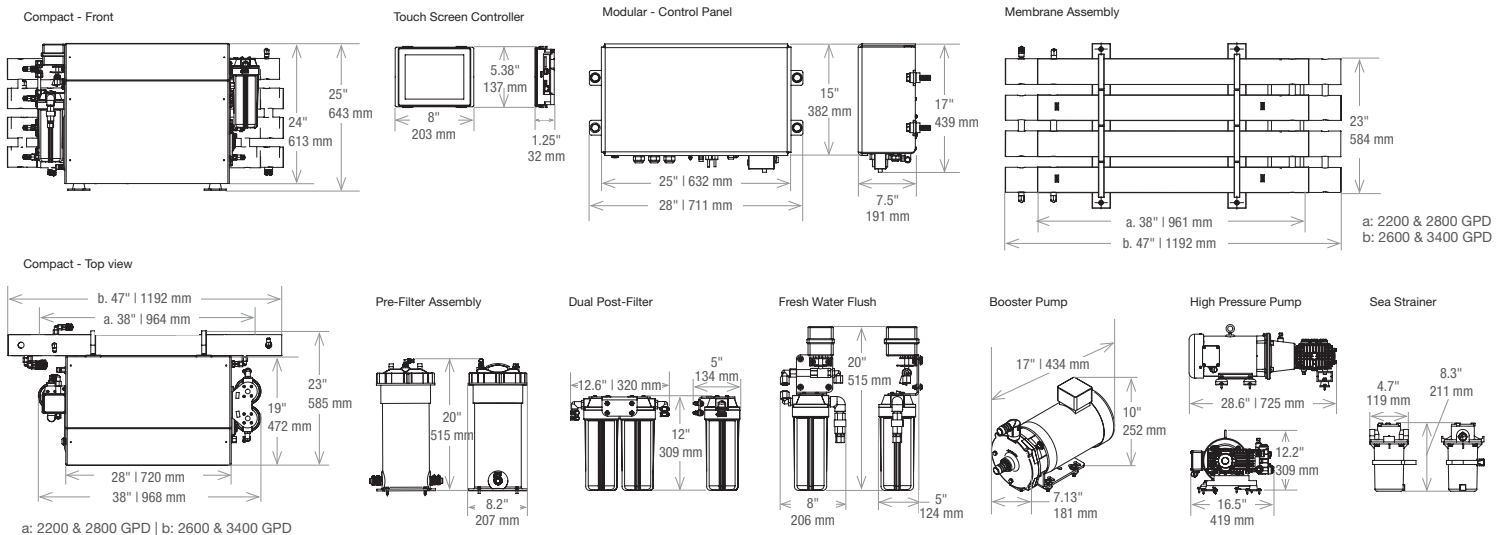
\*Production may vary +/-20% | GPD: Gallons per day • LPD: Liters per day

ELECTRICAL	Phase	Booster Pump Motor	Voltage VAC	Hz	Normal Operating Amps	Start Up Current
	Three	1.5/2	220/380//230/460	50 / 60	5.2/2.6//5.8/2.9	24/16//27/14
	Single	1.5/1	115/230	50 / 60	14.2/7.1//18.2/9.1	54

Circuit Breaker Amp Rating	High Pressure Pump / Motor	AC Voltage	Hz	Phase*	Normal Operating Amps	Circuit Breaker Amp
2200 - 3400 GPD	5 HP	190 / 380	50	3	15.6 / 7.8	80/60
2200 - 3400 GPD	5 HP	208 / 230 / 460	60	3	13.9 / 13.4 / 6.7	80/60
2200 - 3400 GPD	5 HP	230/220	50 / 60	1	21.8//24	80/85

\*Production may vary +/-20% | GPD: Gallons per day • LPD: Liters per day

## Dimensions



**WARNING:** This product can expose you to chemicals including Di(2-ethylhexyl) phthalate (DEHP), which is known to the state of California to cause cancer and birth defects or other reproductive harm. For more information go to [www.P65Warnings.ca.gov](http://www.P65Warnings.ca.gov).

