

FLIP PRO PLUS - FAST CHARGE USB-A & USB-C SOCKET (SC-USB-F4)

Installation Instructions

(not illustrated)

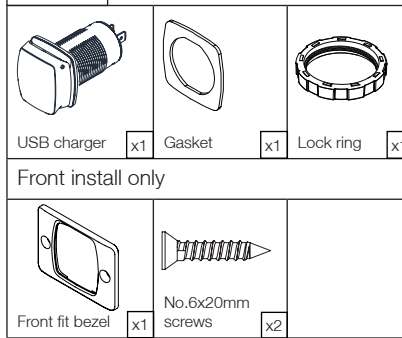
SC-USB-F4-001 Deutsch Connector

SC-USB-F4-002 Flying Lead

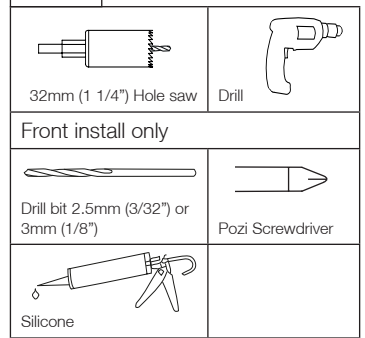
Technical information:

<b>Input voltage</b> 12/24V system	10-32V DC			
<b>Input current max</b>	6A			
<b>Output type</b>	(12V system)		(24V system)	
	USB-A	USB-C	USB-A	USB-C
	5V=3A, 9V=3A, 12V=3A MAX	5V=3A, 9V=3A, 12V=3A MAX	5V=3A, 9V=3A, 12V=3A MAX	5V=3A, 9V=3A, 12V=3A, 15V=3A, 20V=3A MAX
<b>Standby draw</b>	< 0.1W			
<b>Waterproof rating</b>	IPX4 front only lid closed			

Parts list:



Tool list:



For latest tech info visit: [www.scanstrut.com/USB](http://www.scanstrut.com/USB)

READ IMPORTANT SAFETY INFORMATION BEFORE INSTALLING.

**1 FRONT INSTALL ONLY**  
Draw a centre line to align template, ensure line is square on surface and correct orientation.

**2** Use drilling template to drill  $\varnothing 32\text{mm}$  (1 1/4") hole.

**3 FRONT INSTALL ONLY**  
Drill 2 pilot holes for front fit bezel.

Pilot Hole Size	
Material	No. 6 Screw
Soft Material e.g Plywood	2.5mm (3/32")
Hard Material e.g Fiberglass	3mm (1/8")

**4** Feed barrel through the gasket and hole.

**5 REAR INSTALL ONLY**  
Tighten lock ring onto product until secure.

**FRONT INSTALL ONLY**  
Apply silicone seal on fixings and pilot holes. Place the front fit bezel over charger and fix bezel in place. Make sure the bezel orientation is correct.

**6** Connect to 12/24V supply, ensuring a waterproof connection. Fuse and select cable diameter according to input voltage and current for your specific installation.

UK & International +44 (0)1392531280 sales@scanstrut.com  
 For further installation and warranty information please visit: www.scanstrut.com  
 USA +1 860 308 1416 usasales@scanstrut.com



## FLIP PRO PLUS - FAST CHARGE USB-A &amp; USB-C SOCKET (SC-USB-F4)

## Installation Instructions

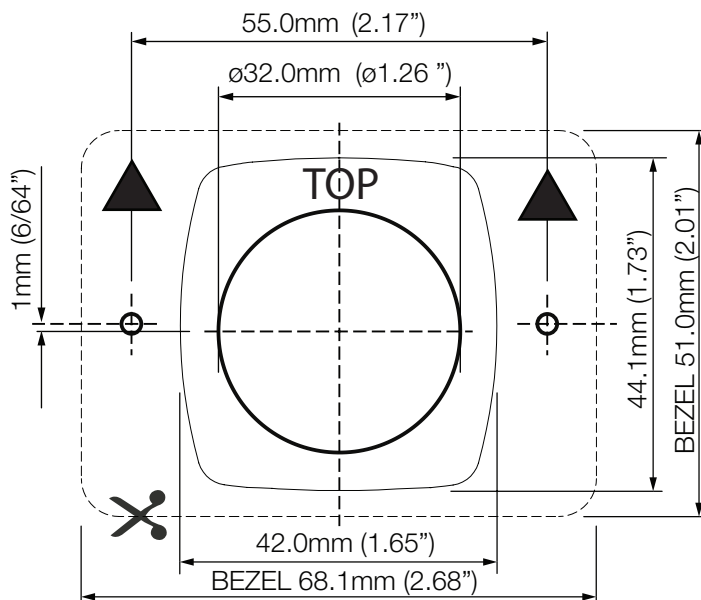
*(not illustrated)*

SC-USB-F4-001 Deutsch Connector

SC-USB-F4-002 Flying Lead

## Drilling template:

WARNING CHECK SCALE 1:1



## WARNING:

This product is to be connected to a 12V DC or 24V DC battery power source only. The power supply must be switched off before installation.

An appropriate fuse or circuit breaker must be used between the battery / power source and this product. Check for correct polarity of all wiring before switching the power on.

This product may contain high voltages. Do not tamper with the product.

This product is NOT approved for use in hazardous/flammable atmospheres.

DO NOT install in a hazardous/flammable atmosphere e.g. engine room.

Before drilling any holes, ensure the area behind the mounting location is clear of wires, fuel and all other hazardous objects.

Ensure any holes cut will not significantly weaken the structure of the mounting surface.

If the product needs to be mounted outside, it must be mounted in a location safely above the waterline, where it is not at risk of being submerged.

## CAUTION:

The product is specially designed for charging QC and PD compatible devices.

This product does not contain any user serviceable parts. DO NOT attempt to repair or modify the product in any way.

When used in high ambient temperature or in direct sunlight, the product may turn off temporarily, this is a safety feature of the electronics.

The IP protection rating is only valid if the installation is carried out correctly according to the instructions and on a perfectly flat, smooth and non-porous surface.

When choosing a mounting location, avoid areas exposed to heat radiation devices and areas with poor ventilation.

## WIRING:

Professional electrician installation recommended, see Technical Information for power requirements.

To achieve max power output, the specified voltage must be at the charger. Battery performance and voltage drop needs to be considered for installation.

## ENVIRONMENTAL PROTECTION:

Waste electrical products should not be disposed of with household waste. Please recycle where facilities exist. Check with your Local Authority or retailer for recycling advice.

## IMPORTANT:

Scanstrut Ltd & Inc. accepts no responsibility for any injuries or other damages arising from the use of their products in any circumstances.

## WARRANTY:

A 2 year, non-transferrable warranty covers this Scanstrut product only and not any devices that are charged by it. No warranty is given for users' devices and users expose their devices to hazards, known or unknown, at their own risk.

## Certification.



Scanstrut Ltd, declares the product

'Flip Pro Plus' SKU: SC-USB-F4 is in compliance with EMC CE-RED Directive (2014/30/EU) & The CE certificate of EN55032, EN55035, EN61000 conformity can be found at [www.scanstrut.com/support/compliance](http://www.scanstrut.com/support/compliance)

## FCC Warning

This device complies with part 15 of the FCC Rules. Operation is subject to the following two conditions: (1) This device may not cause harmful interference, and (2) this device must accept any interference received, including interference that may cause undesired operation.

Any Changes or modifications not expressly approved by the party responsible for compliance could void the user's authority to operate the equipment.

This equipment has been tested and found to comply with the limits for a Class B digital device, pursuant to part 15 of the FCC Rules. These limits are designed to provide reasonable protection against harmful interference in a residential installation. This equipment generates uses and can radiate radio frequency energy and, if not installed and used in accordance with the instructions, may cause harmful interference to radio communications. However, there is no guarantee that interference will not occur in a particular installation. If this equipment does cause harmful interference to radio or television reception, which can be determined by turning the equipment off and on, the user is encouraged to try to correct the interference by one or more of the following measures:

- Reorient or relocate the receiving antenna.
- Increase the separation between the equipment and receiver.
- Connect the equipment into an outlet on a circuit different from that to which the receiver is connected.
- Consult the dealer or an experienced radio/TV technician for help.

## FCC RF exposure statement:

The equipment complies with FCC radiation exposure limits set forth for an uncontrolled environment. During the operation of device a distance of 15 cm surrounding the device and 20 cm above the top surface of the device must be respected.

UK & International  
+44 (0)1392531280  
[sales@scanstrut.com](mailto:sales@scanstrut.com)

For further installation  
and warranty information  
please visit:  
[www.scanstrut.com](http://www.scanstrut.com)

USA  
+1 860 308 1416  
[usasales@scanstrut.com](mailto:usasales@scanstrut.com)

# SCANSTRUT®