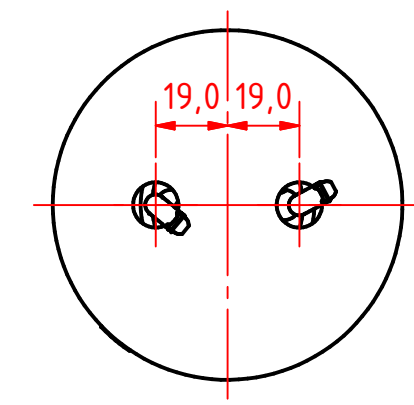
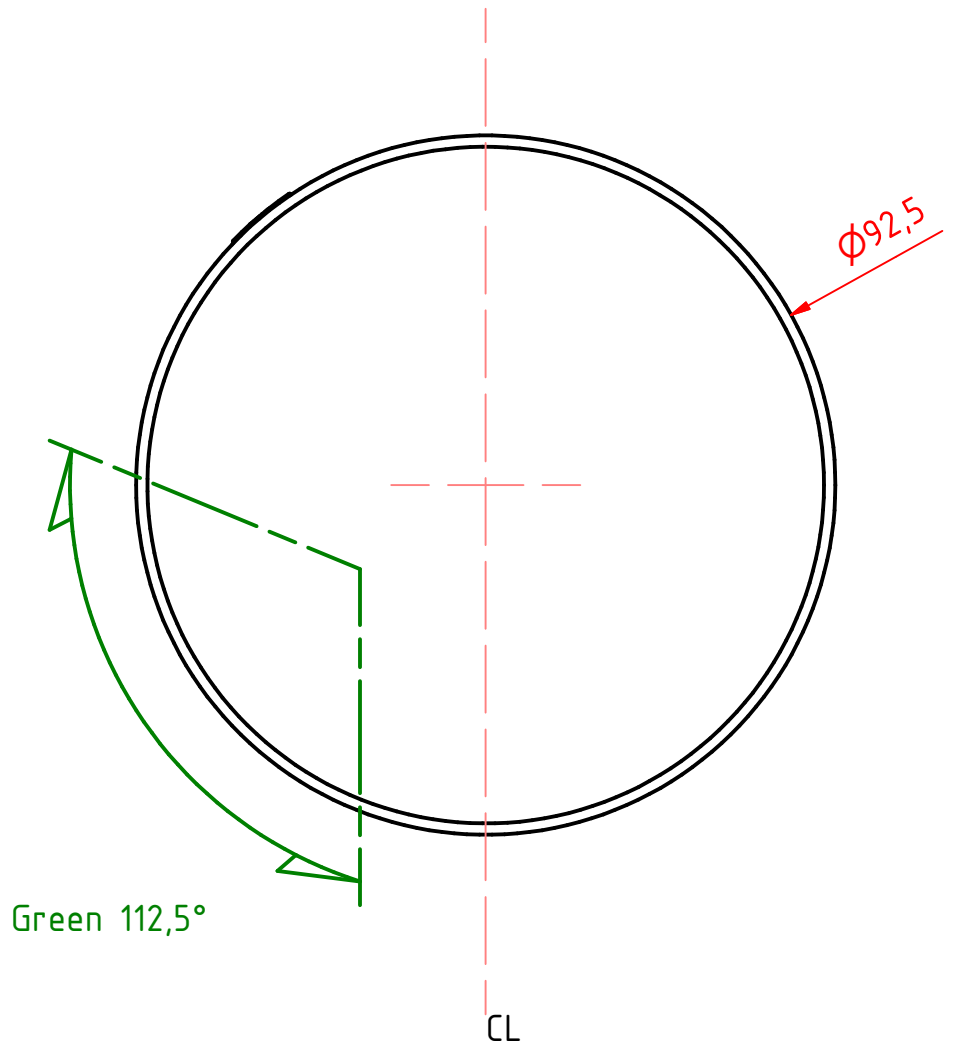


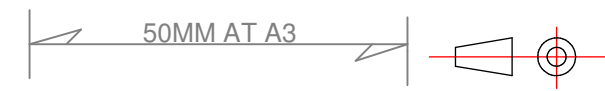
Note:
 The PE Plastic base is intended for fitting on site and can be either drilled for mounting screws from above. 6mm screws with nuts and washers are recommended for secure mounting.



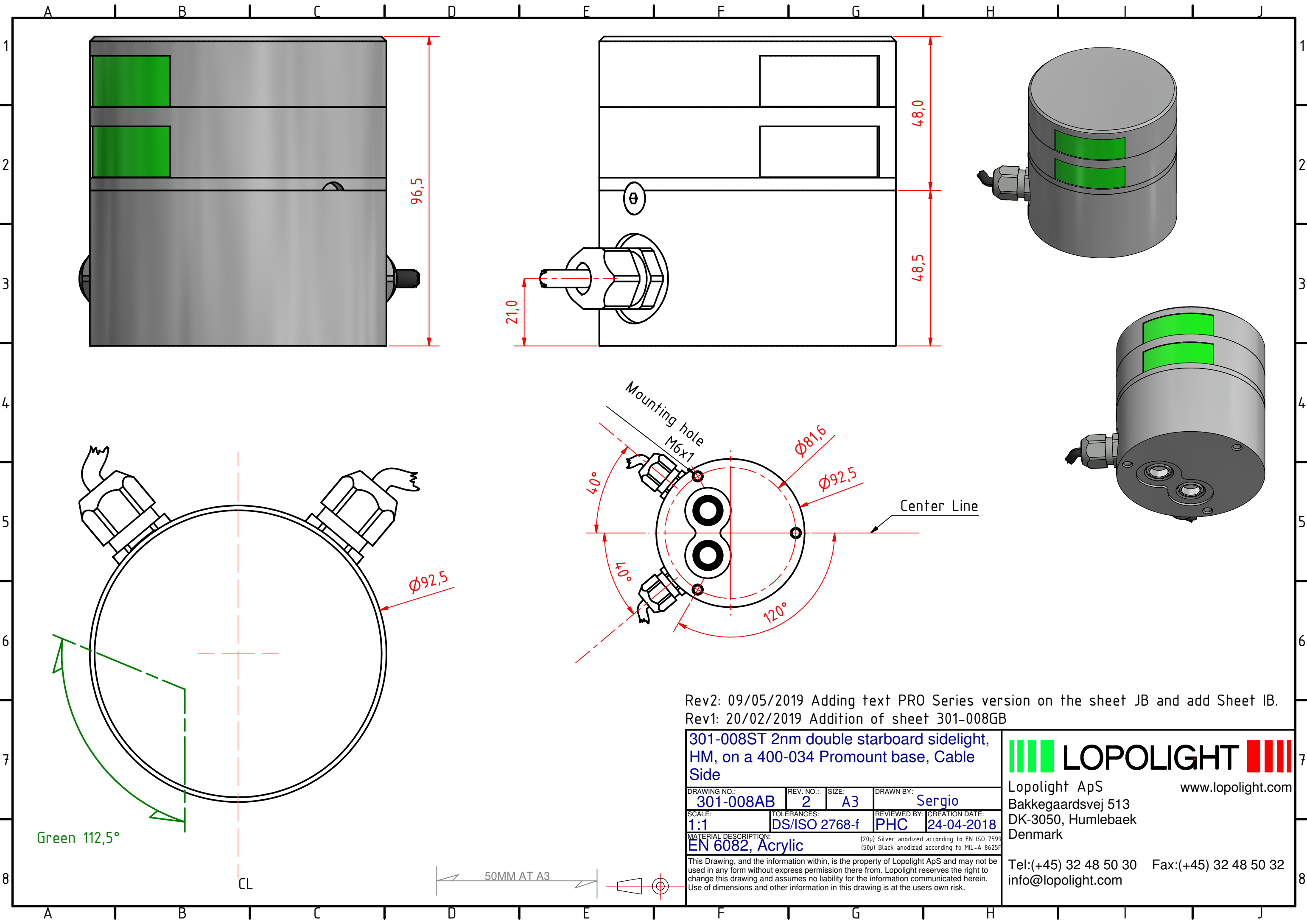
Rev2: 09/05/2019 Adding text PRO Series version on the sheet JB and add Sheet IB.
 Rev1: 20/02/2019 Addition of sheet 301-008GB

301-008ST 2nm double starboard sidelight, HM, on a 400-038 PE std base			
DRAWING NO.:	REV. NO.:	SIZE:	DRAWN BY:
301-008GB	2	A3	Sergio
SCALE:	TOLERANCES:	REVIEWED BY:	CREATION DATE:
1:1	DS/ISO 2768-f	PHC	24-04-2018
MATERIAL DESCRIPTION:			
EN 6082, Acrylic		(20µ) Silver anodized according to EN ISO 7599 (50µ) Black anodized according to MIL-A 8625F	

LOPOLIGHT
 Lopolight ApS www.lopolight.com
 Bakkegaardsvej 513
 DK-3050, Humlebaek
 Denmark
 Tel:(+45) 32 48 50 30 Fax:(+45) 32 48 50 32
 info@lopolight.com



This Drawing, and the information within, is the property of Lopolight ApS and may not be used in any form without express permission there from. Lopolight reserves the right to change this drawing and assumes no liability for the information communicated herein. Use of dimensions and other information in this drawing is at the users own risk.



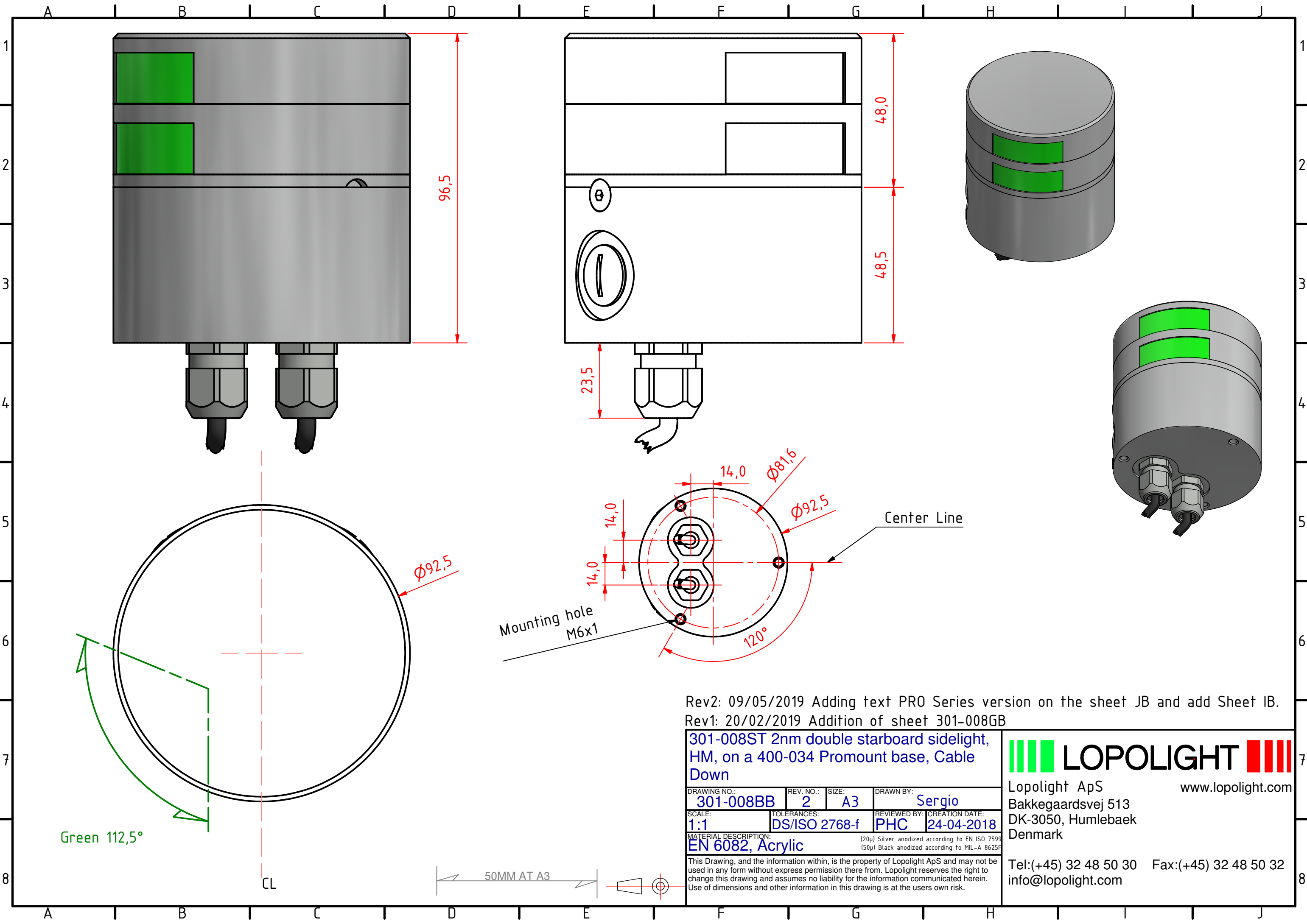
Rev2: 09/05/2019 Adding text PRO Series version on the sheet JB and add Sheet IB.
 Rev1: 20/02/2019 Addition of sheet 301-008GB

301-008ST 2nm double starboard sidelight, HM, on a 400-034 Promount base, Cable Side

DRAWING NO.:	REV. NO.:	SIZE:	DRAWN BY:
301-008AB	2	A3	Sergio
SCALE:	TOLERANCES:	REVIEWED BY:	CREATION DATE:
1:1	DS/ISO 2768-f	PHC	24-04-2018
MATERIAL DESCRIPTION:			
EN 6082, Acrylic			

(20µ) Silver anodized according to EN ISO 7599
 (50µ) Black anodized according to MIL-A 8625F
 This Drawing, and the information within, is the property of Lopolight ApS and may not be used in any form without express permission there from. Lopolight reserves the right to change this drawing and assumes no liability for the information communicated herein. Use of dimensions and other information in this drawing is at the users own risk.

LOPOLIGHT
 Lopolight ApS
 Bakkegaardsvej 513
 DK-3050, Humlebaek
 Denmark
 www.lopolight.com
 Tel:(+45) 32 48 50 30 Fax:(+45) 32 48 50 32
 info@lopolight.com



Rev2: 09/05/2019 Adding text PRO Series version on the sheet JB and add Sheet IB.
 Rev1: 20/02/2019 Addition of sheet 301-008GB

301-008ST 2nm double starboard sidelight, HM, on a 400-034 Promount base, Cable Down

DRAWING NO.:	REV. NO.:	SIZE:	DRAWN BY:
301-008BB	2	A3	Sergio

SCALE:	TOLERANCES:	REVIEWED BY:	CREATION DATE:
1:1	DS/ISO 2768-f	PHC	24-04-2018

MATERIAL DESCRIPTION:
EN 6082, Acrylic (20µ) Silver anodized according to EN ISO 7599 (50µ) Black anodized according to MIL-A 8625F

This Drawing, and the information within, is the property of Lopolight ApS and may not be used in any form without express permission there from. Lopolight reserves the right to change this drawing and assumes no liability for the information communicated herein. Use of dimensions and other information in this drawing is at the users own risk.

LOPOLIGHT

Lopolight ApS www.lopolight.com

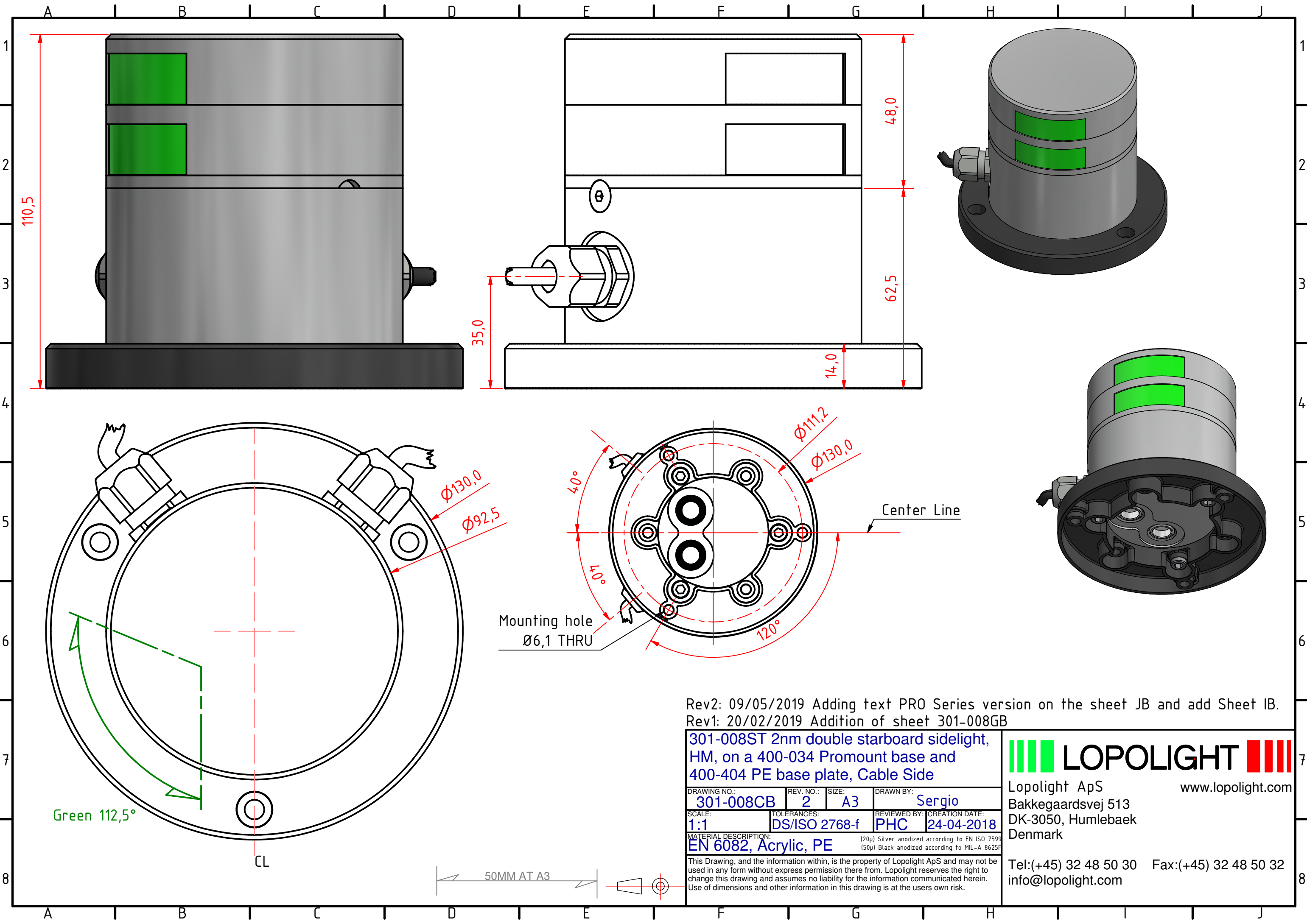
Bakkegaardsvej 513

DK-3050, Humlebaek

Denmark

Tel:(+45) 32 48 50 30 Fax:(+45) 32 48 50 32

info@lopolight.com



Rev2: 09/05/2019 Adding text PRO Series version on the sheet JB and add Sheet IB.
 Rev1: 20/02/2019 Addition of sheet 301-008GB

**301-008ST 2nm double starboard sidelight,
 HM, on a 400-034 Promount base and
 400-404 PE base plate, Cable Side**

DRAWING NO.:	REV. NO.:	SIZE:	DRAWN BY:
301-008CB	2	A3	Sergio

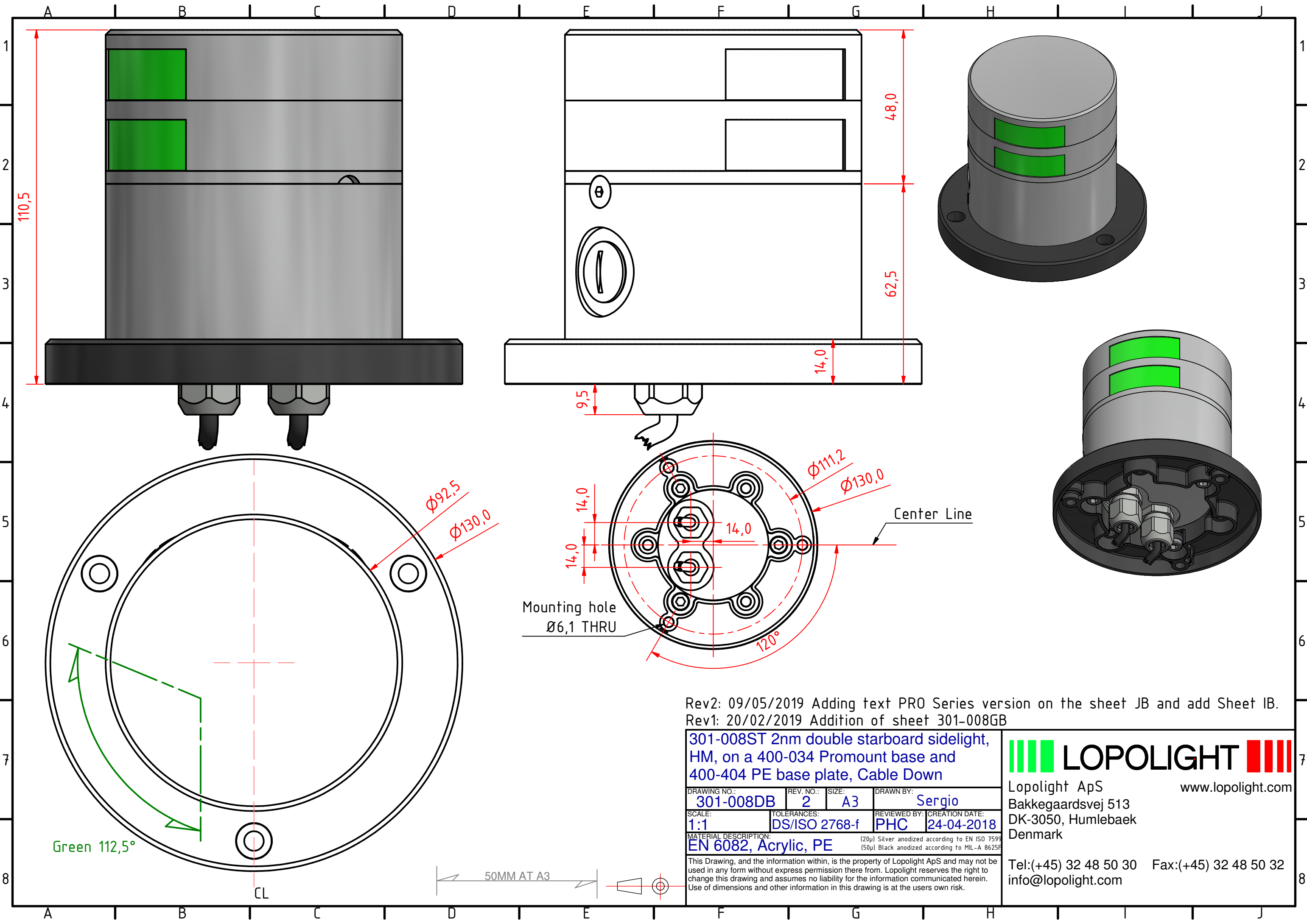
SCALE:	TOLERANCES:	REVIEWED BY:	CREATION DATE:
1:1	DS/ISO 2768-f	PHC	24-04-2018

MATERIAL DESCRIPTION:
EN 6082, Acrylic, PE (20µ) Silver anodized according to EN ISO 7599
 (50µ) Black anodized according to MIL-A 8625F

This Drawing, and the information within, is the property of Lopolight ApS and may not be used in any form without express permission there from. Lopolight reserves the right to change this drawing and assumes no liability for the information communicated herein. Use of dimensions and other information in this drawing is at the users own risk.

LOPOLIGHT
 Lopolight ApS
 Bakkegaardsvej 513
 DK-3050, Humlebaek
 Denmark
 Tel:(+45) 32 48 50 30 Fax:(+45) 32 48 50 32
 info@lopolight.com
 www.lopolight.com

50MM AT A3



Rev2: 09/05/2019 Adding text PRO Series version on the sheet JB and add Sheet IB.
 Rev1: 20/02/2019 Addition of sheet 301-008GB

**301-008ST 2nm double starboard sidelight,
 HM, on a 400-034 Promount base and
 400-404 PE base plate, Cable Down**

DRAWING NO.:	REV. NO.:	SIZE:	DRAWN BY:
301-008DB	2	A3	Sergio

SCALE:	TOLERANCES:	REVIEWED BY:	CREATION DATE:
1:1	DS/ISO 2768-f	PHC	24-04-2018

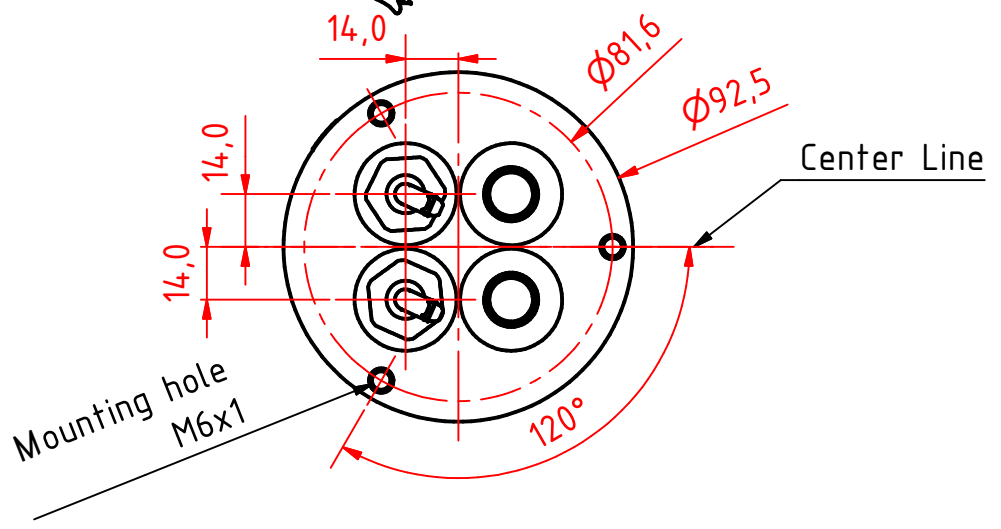
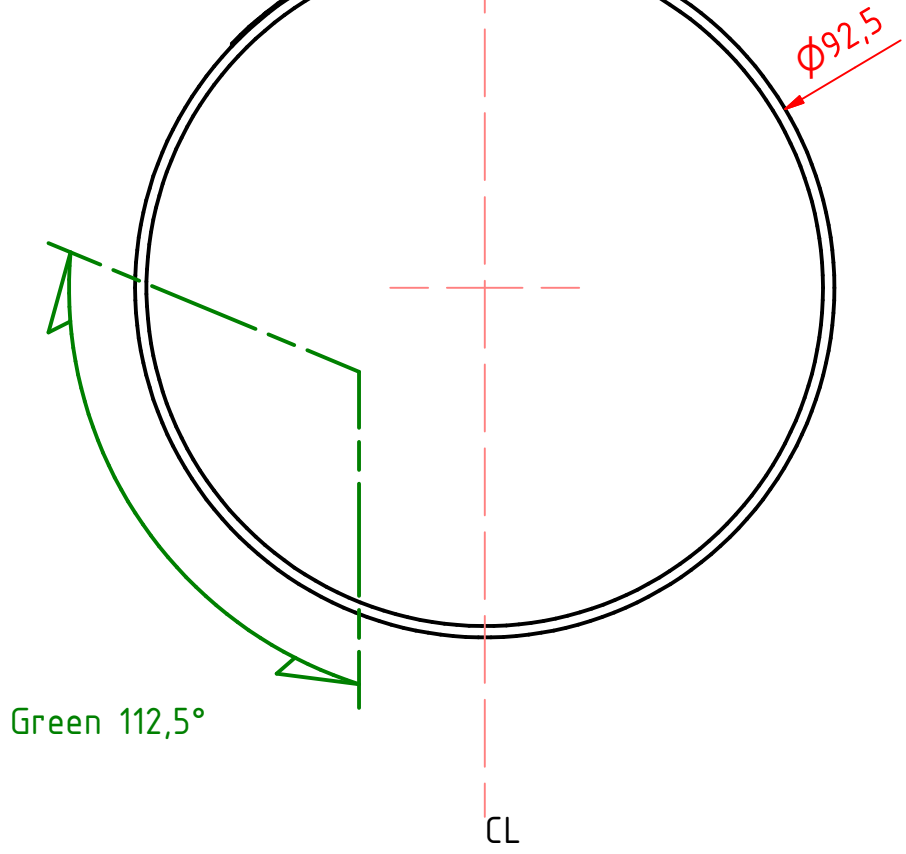
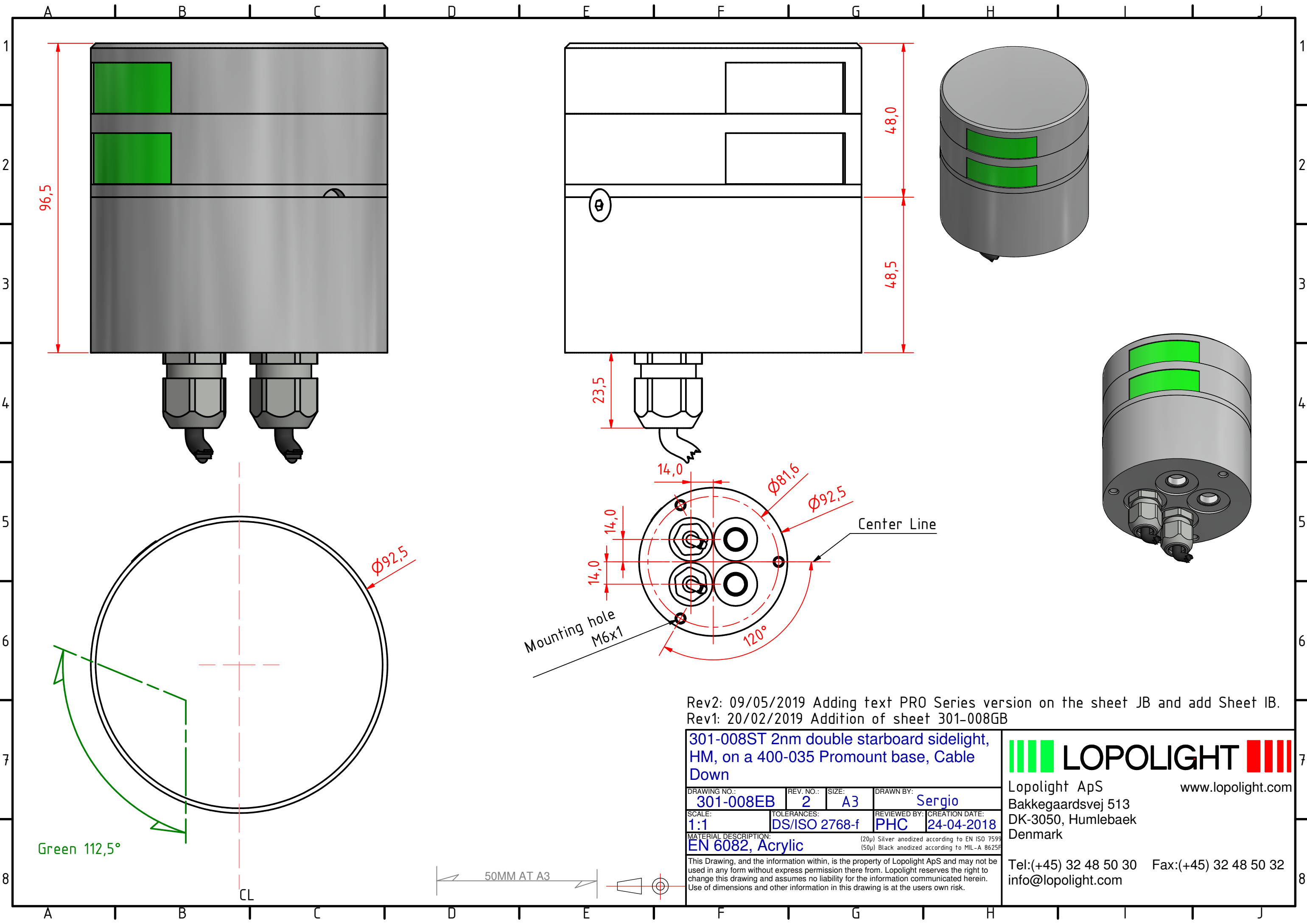
MATERIAL DESCRIPTION:
EN 6082, Acrylic, PE (20µ) Silver anodized according to EN ISO 7599
 (50µ) Black anodized according to MIL-A 8625F

This Drawing, and the information within, is the property of Lopolight ApS and may not be used in any form without express permission there from. Lopolight reserves the right to change this drawing and assumes no liability for the information communicated herein. Use of dimensions and other information in this drawing is at the users own risk.



Lopolight ApS www.lopolight.com
 Bakkegaardsvej 513
 DK-3050, Humlebaek
 Denmark

Tel:(+45) 32 48 50 30 Fax:(+45) 32 48 50 32
 info@lopolight.com



Rev2: 09/05/2019 Adding text PRO Series version on the sheet JB and add Sheet IB.
 Rev1: 20/02/2019 Addition of sheet 301-008GB

301-008ST 2nm double starboard sidelight, HM, on a 400-035 Promount base, Cable Down

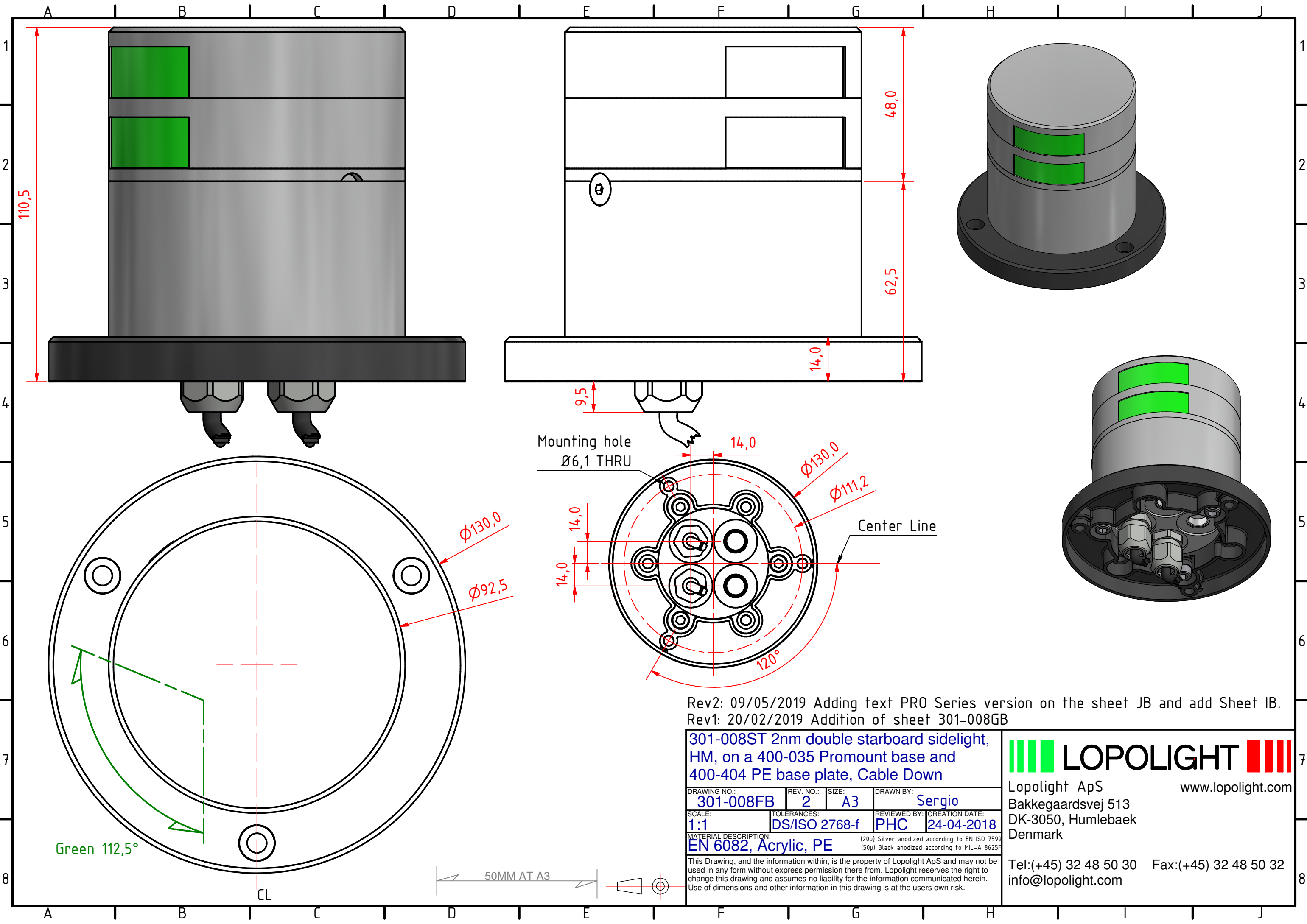
DRAWING NO.:	REV. NO.:	SIZE:	DRAWN BY:
301-008EB	2	A3	Sergio
SCALE:	TOLERANCES:	REVIEWED BY:	CREATION DATE:
1:1	DS/ISO 2768-f	PHC	24-04-2018

MATERIAL DESCRIPTION:
 EN 6082, Acrylic (20µ) Silver anodized according to EN ISO 7599 (50µ) Black anodized according to MIL-A 8625F

This Drawing, and the information within, is the property of Lopolight ApS and may not be used in any form without express permission there from. Lopolight reserves the right to change this drawing and assumes no liability for the information communicated herein. Use of dimensions and other information in this drawing is at the users own risk.

LOPOLIGHT
 Lopolight ApS
 Bakkegaardsvej 513
 DK-3050, Humlebaek
 Denmark
 www.lopolight.com
 Tel:(+45) 32 48 50 30 Fax:(+45) 32 48 50 32
 info@lopolight.com





Rev2: 09/05/2019 Adding text PRO Series version on the sheet JB and add Sheet IB.
 Rev1: 20/02/2019 Addition of sheet 301-008GB

301-008ST 2nm double starboard sidelight, HM, on a 400-035 Promount base and 400-404 PE base plate, Cable Down

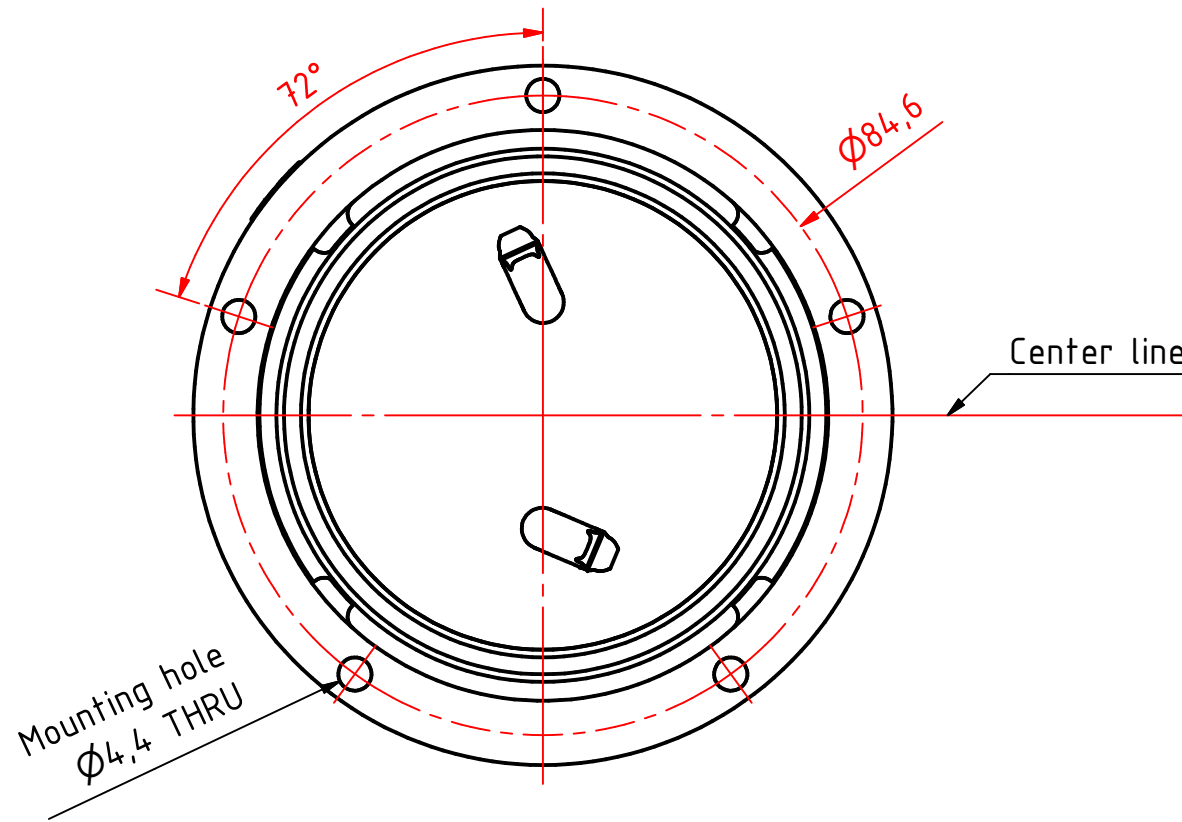
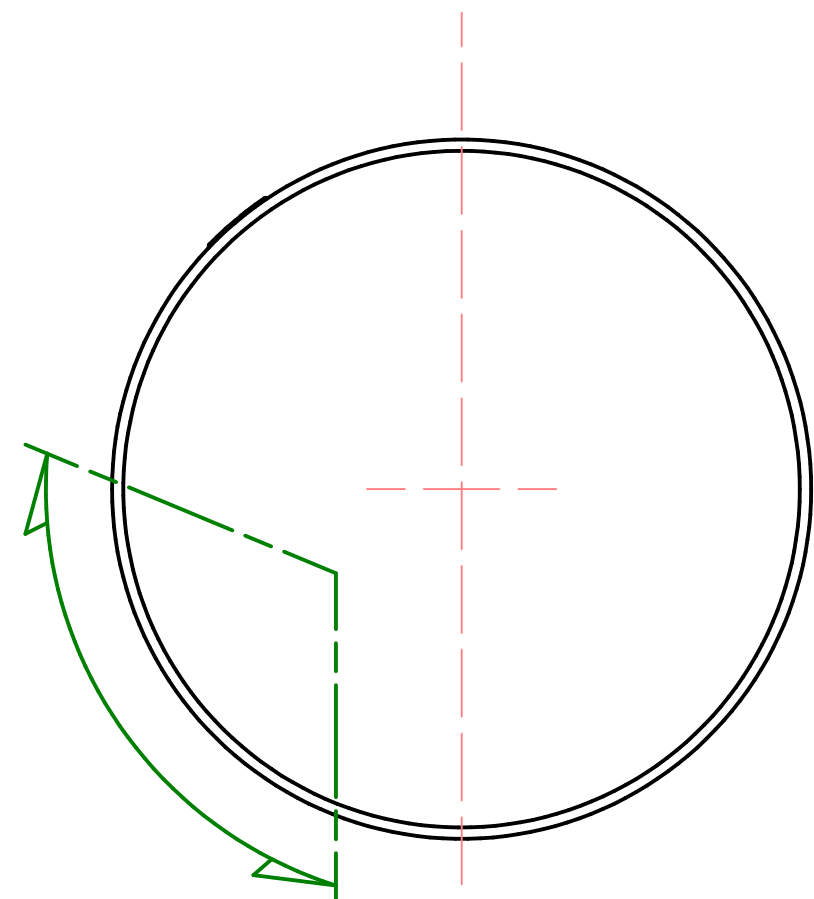
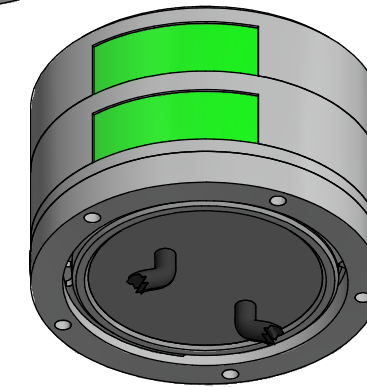
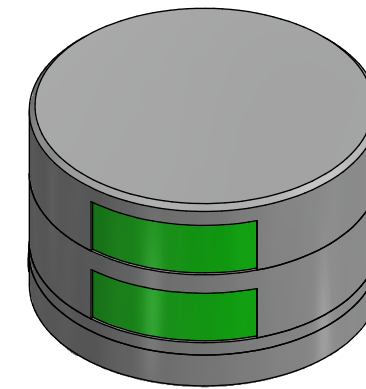
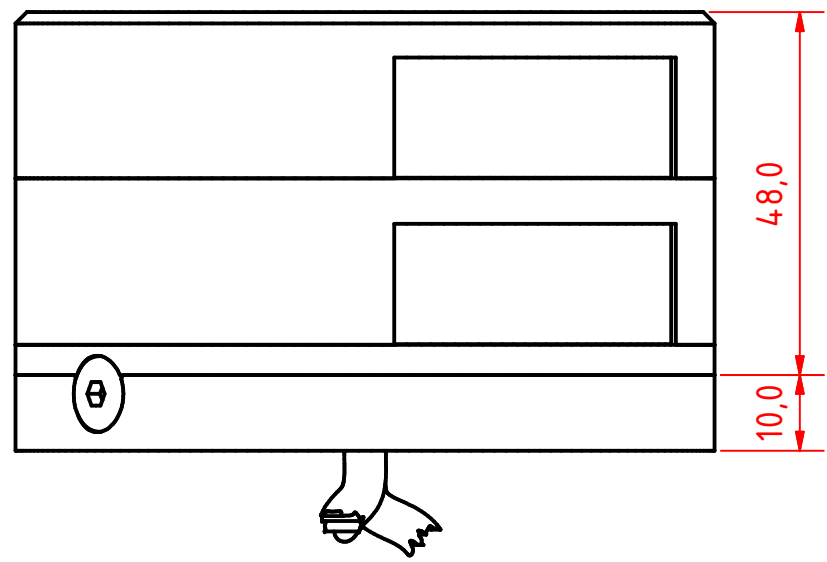
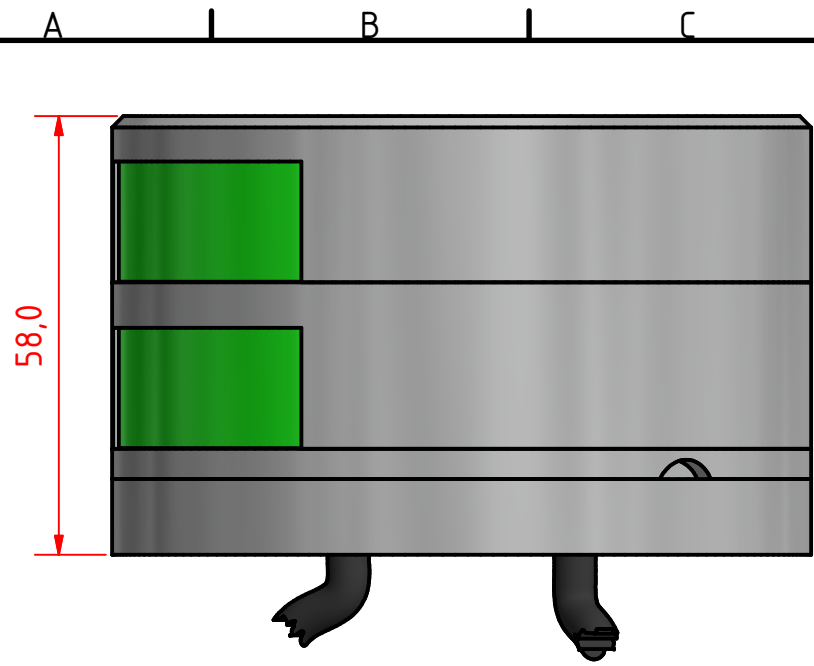
DRAWING NO.:	REV. NO.:	SIZE:	DRAWN BY:
301-008FB	2	A3	Sergio
SCALE:	TOLERANCES:	REVIEWED BY:	CREATION DATE:
1:1	DS/ISO 2768-f	PHC	24-04-2018
MATERIAL DESCRIPTION:			
EN 6082, Acrylic, PE (20µ) Silver anodized according to EN ISO 7599 (50µ) Black anodized according to MIL-A 8625F			

This Drawing, and the information within, is the property of Lopolight ApS and may not be used in any form without express permission there from. Lopolight reserves the right to change this drawing and assumes no liability for the information communicated herein. Use of dimensions and other information in this drawing is at the users own risk.

LOPOLIGHT
 Lopolight ApS
 Bakkegaardsvej 513
 DK-3050, Humlebaek
 Denmark
 www.lopolight.com
 Tel:(+45) 32 48 50 30 Fax:(+45) 32 48 50 32
 info@lopolight.com

Green 112,5°

50MM AT A3



Rev2: 09/05/2019 Adding text PRO Series version on the sheet JB and add Sheet IB.
 Rev1: 20/02/2019 Addition of sheet 301-008GB

301-008ST 2nm double starboard sidelight, HM, on a 400-036 Ultra Low profile base

DRAWING NO.: 301-008IA	REV. NO.: 2	SIZE: A3	DRAWN BY: Sergio
SCALE: 1:1	TOLERANCES: DS/ISO 2768-f	REVIEWED BY: PHC	CREATION DATE: 24-04-2018

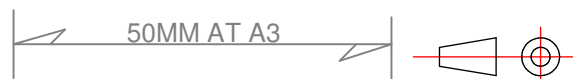
MATERIAL DESCRIPTION:
EN 6082, Acrylic (20µ) Silver anodized according to EN ISO 7599
 (50µ) Black anodized according to MIL-A 8625F

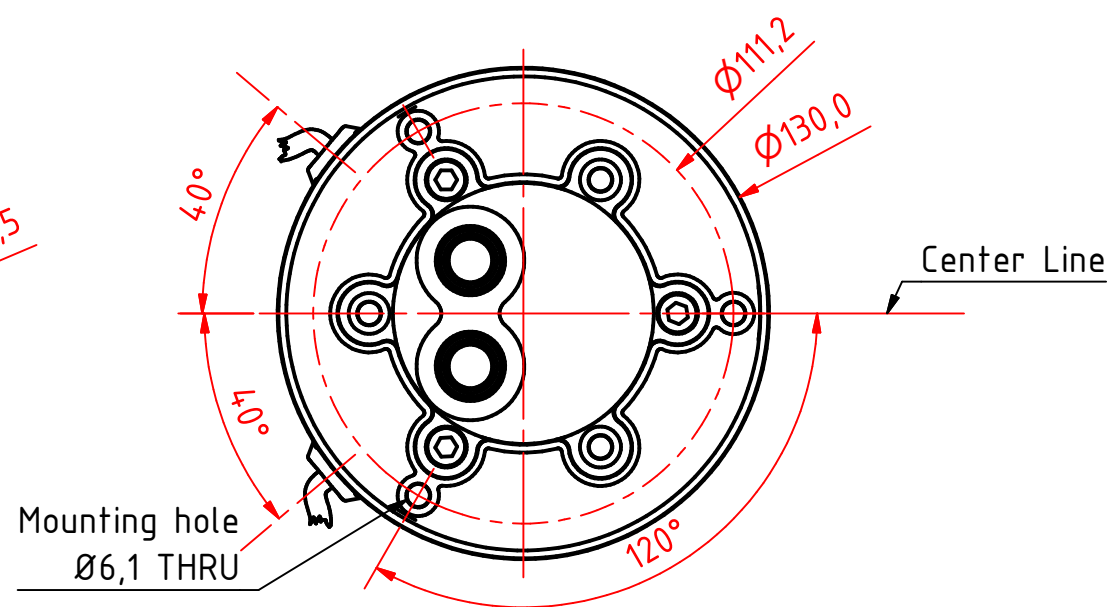
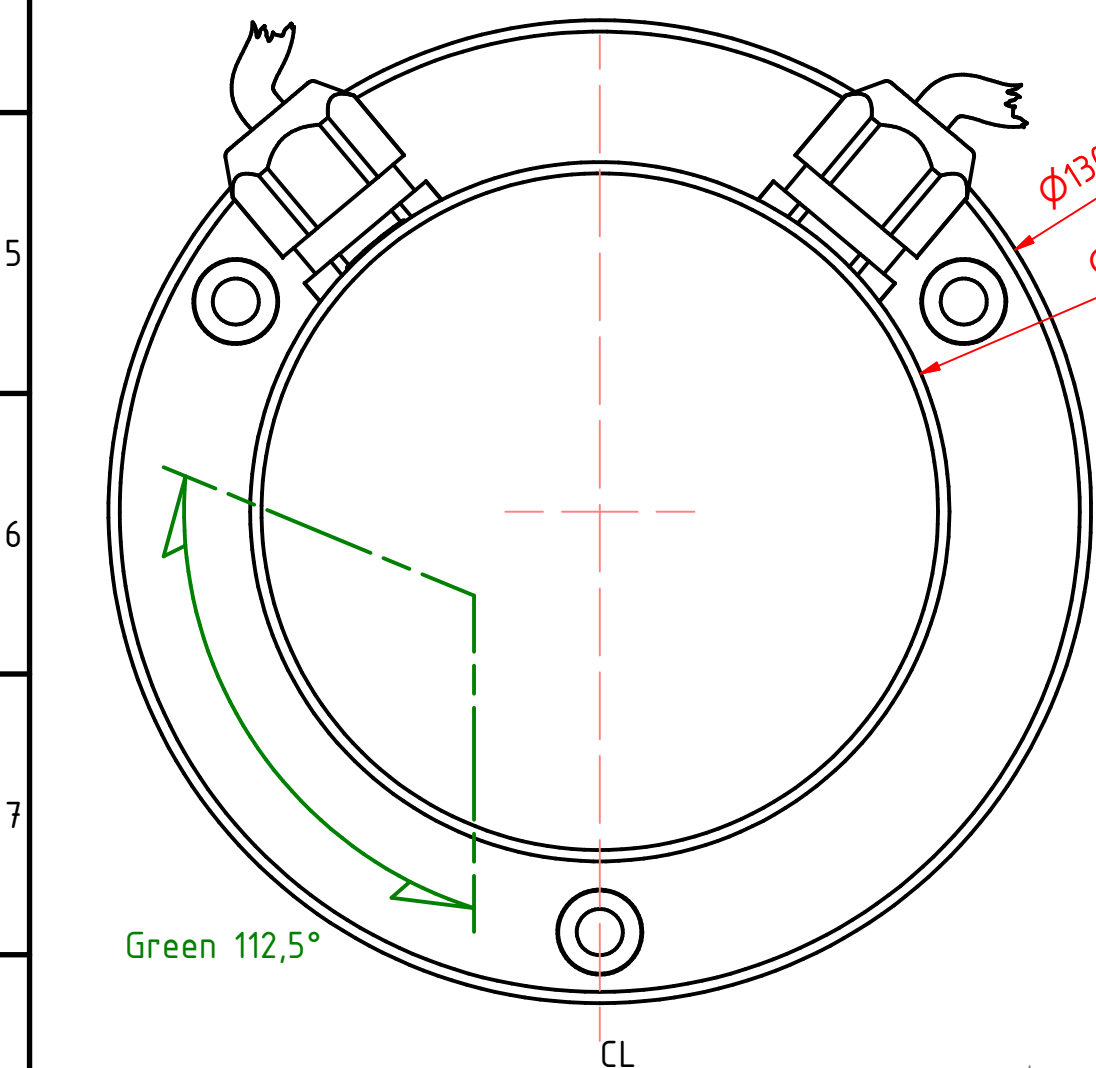
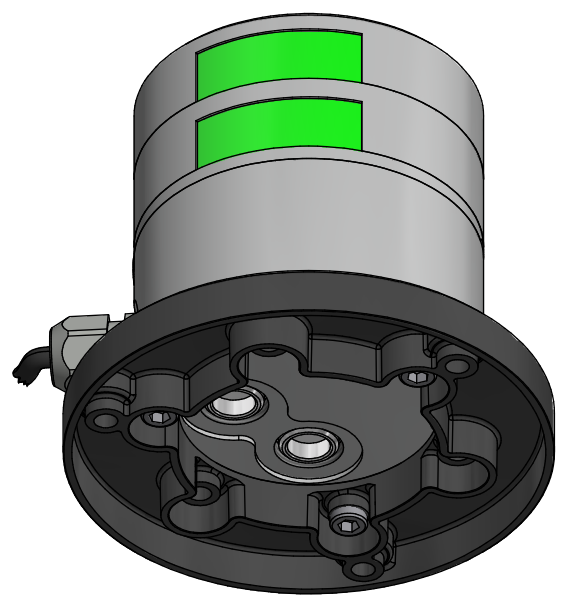
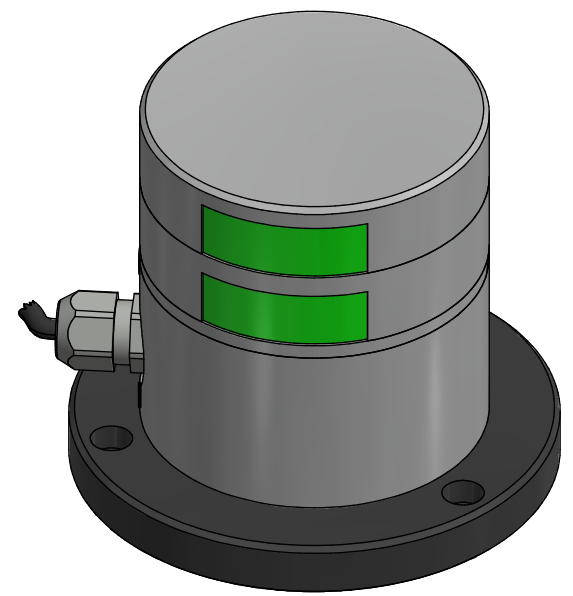
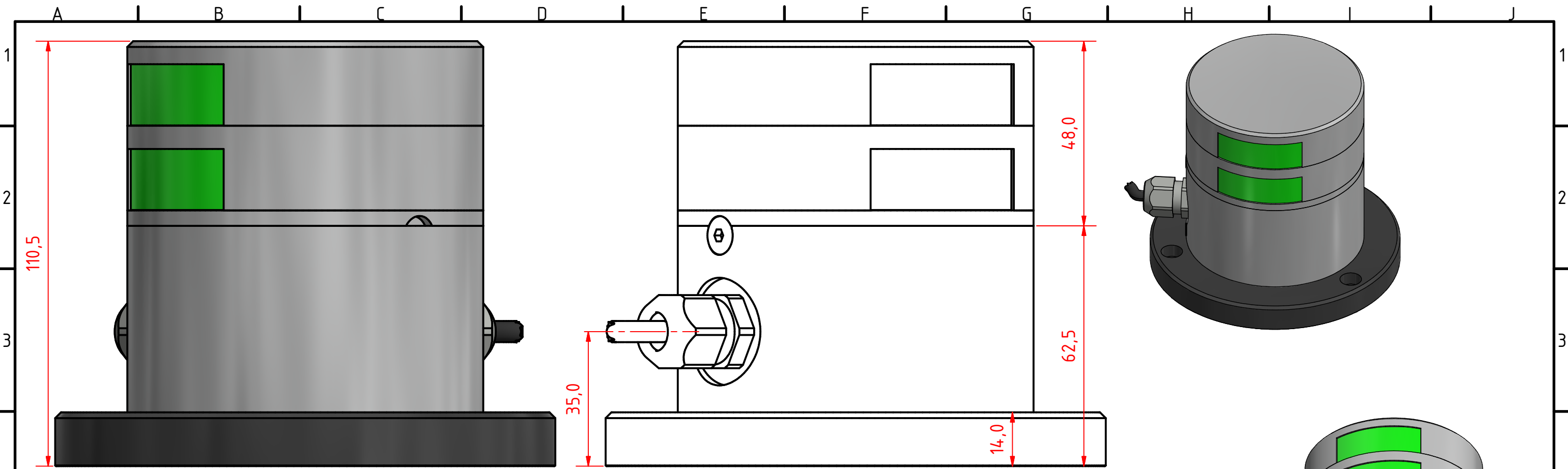
This Drawing, and the information within, is the property of Lopolight ApS and may not be used in any form without express permission there from. Lopolight reserves the right to change this drawing and assumes no liability for the information communicated herein. Use of dimensions and other information in this drawing is at the users own risk.



Lopolight ApS www.lopolight.com
 Bakkegaardsvej 513
 DK-3050, Humlebaek
 Denmark

Tel:(+45) 32 48 50 30 Fax:(+45) 32 48 50 32
 info@lopolight.com





Rev2: 09/05/2019 Adding text PRO Series version on the sheet JB and add Sheet IB.
 Rev1: 20/02/2019 Addition of sheet 301-008GB

301-008ST 2nm double starboard sidelight, HM, on a 400-034 Promount base PRO Series version and 400-404 PE BP, C S

DRAWING NO.: 301-008JB	REV. NO.: 2	SIZE: A3	DRAWN BY: Sergio
SCALE: 1:1	TOLERANCES: DS/ISO 2768-f	REVIEWED BY: PHC	CREATION DATE: 24-04-2018

MATERIAL DESCRIPTION:
EN 6082, Acrylic, PE (20µ) Silver anodized according to EN ISO 7599 (50µ) Black anodized according to MIL-A 8625F

This Drawing, and the information within, is the property of Lopolight ApS and may not be used in any form without express permission there from. Lopolight reserves the right to change this drawing and assumes no liability for the information communicated herein. Use of dimensions and other information in this drawing is at the users own risk.



Lopolight ApS
 Bakkegaardsvej 513
 DK-3050, Humlebaek
 Denmark
www.lopolight.com

Tel:(+45) 32 48 50 30 Fax:(+45) 32 48 50 32
 info@lopolight.com

