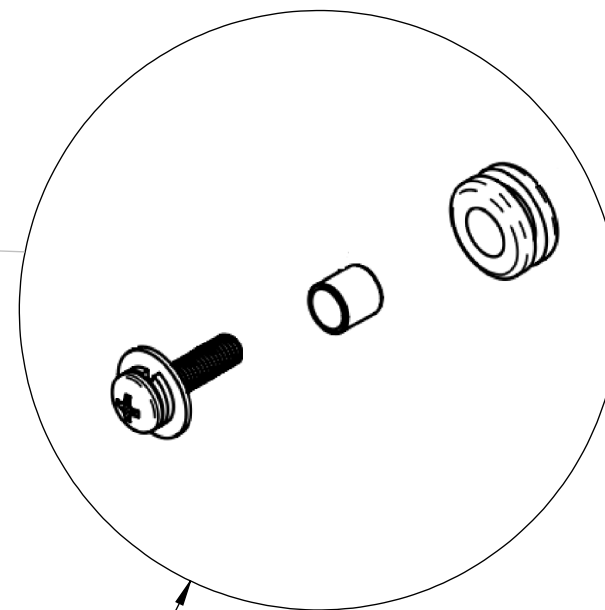
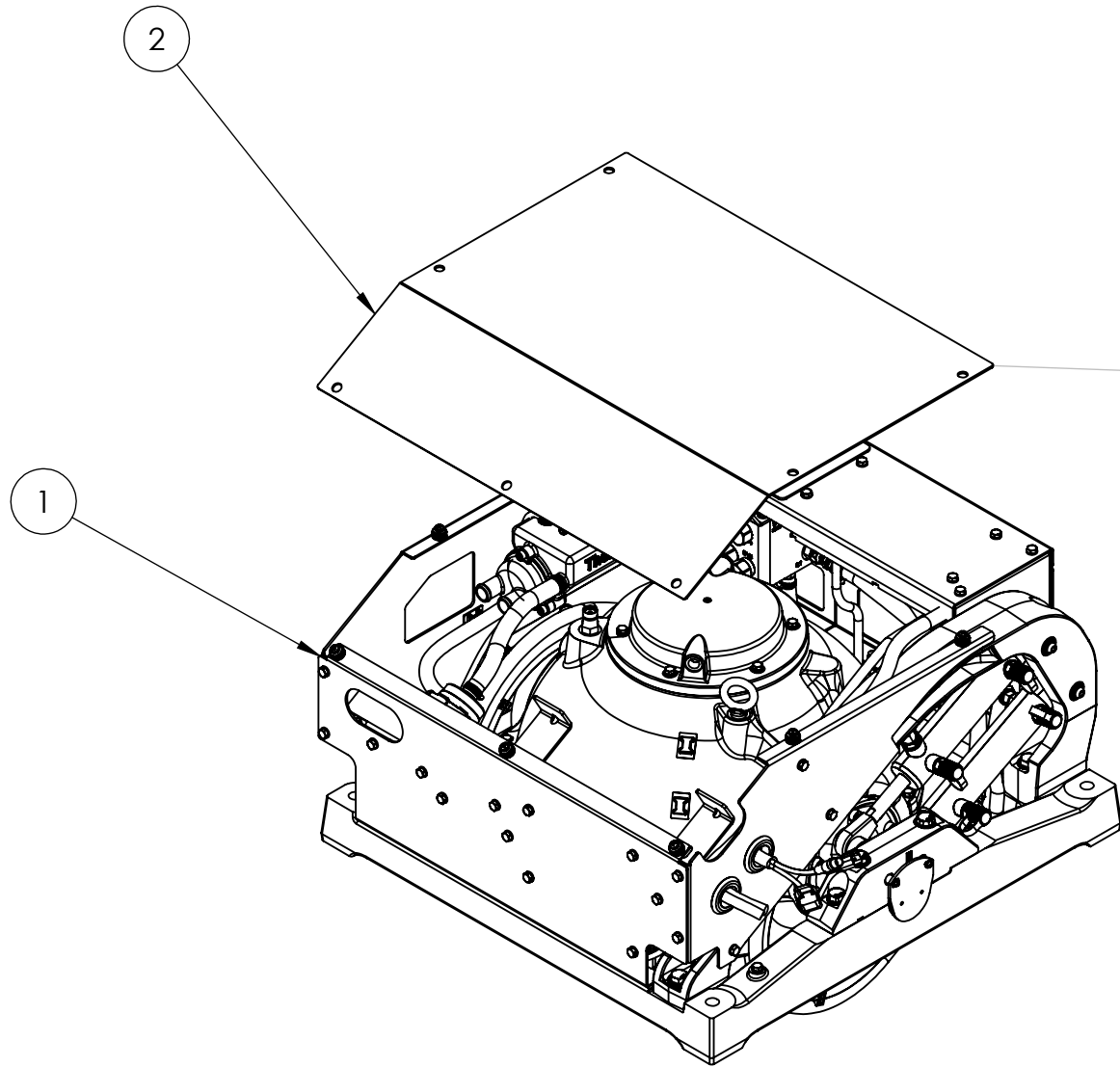


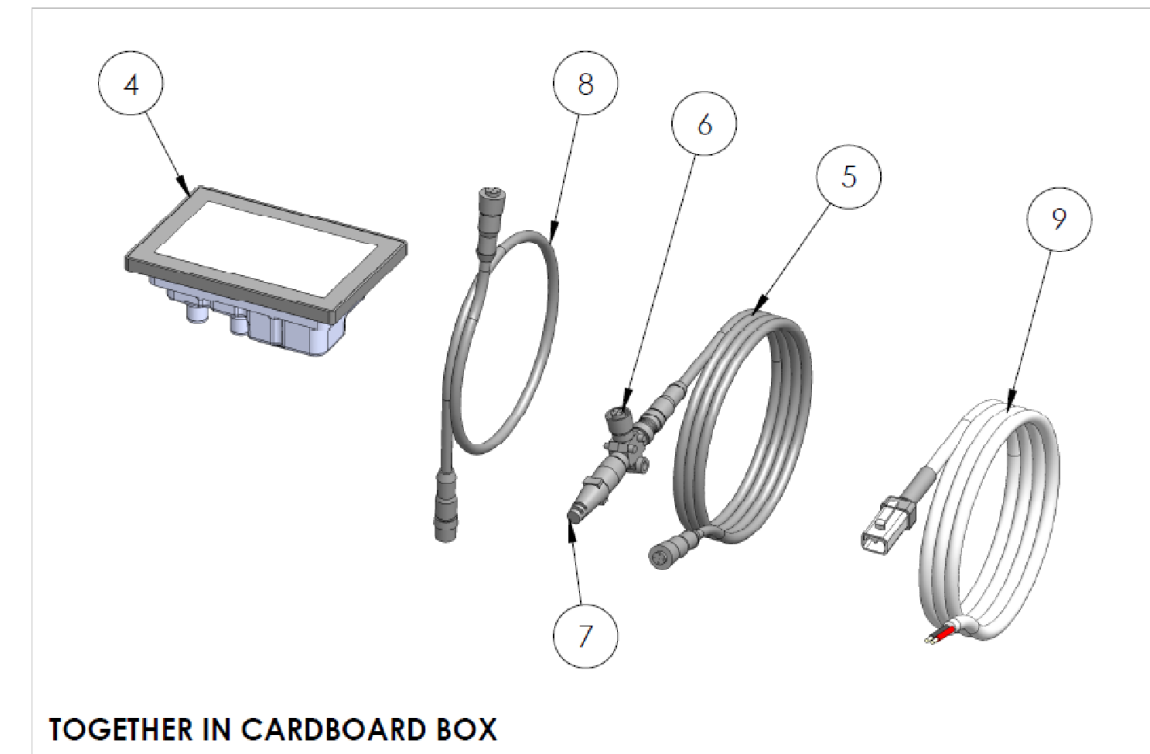
**ATTENTION: BEFORE REMOVING GYRO, USE THIS DRAWING AS A CHECK LIST TO ENSURE ALL NECESSARY ITEMS ARE PRESENT WITHIN THE SHIPPING CRATE. (SOME ITEMS MAY BE PACKED UNDERNEATH THE GYRO)**

**ITEMS NOT SHOWN TO SCALE, SOME ITEMS MAY APPEAR LARGER THAN NORMAL.**

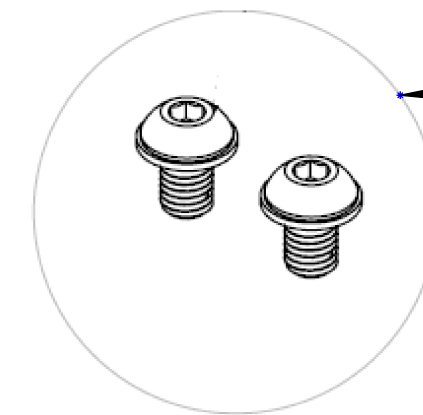
REV NO.	ECN NO.	ZONE	DESCRIPTION	DATE	APPRVD.
---------	---------	------	-------------	------	---------



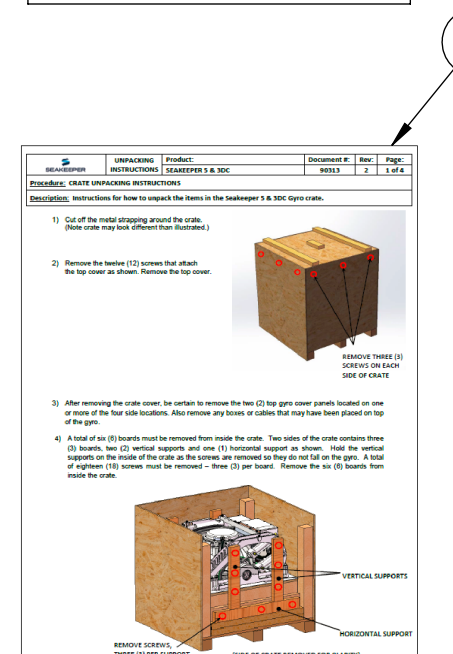
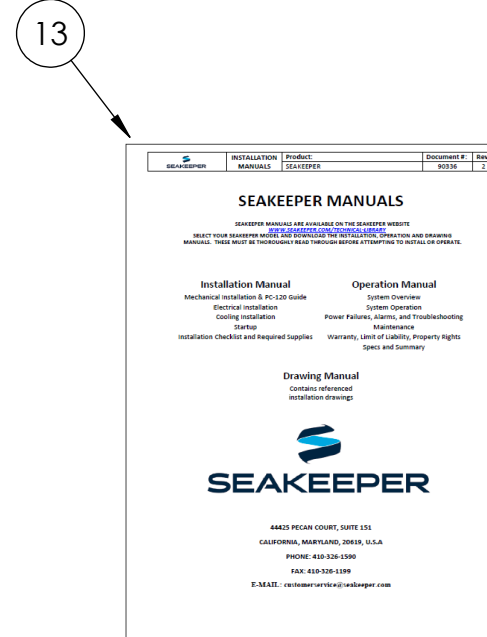
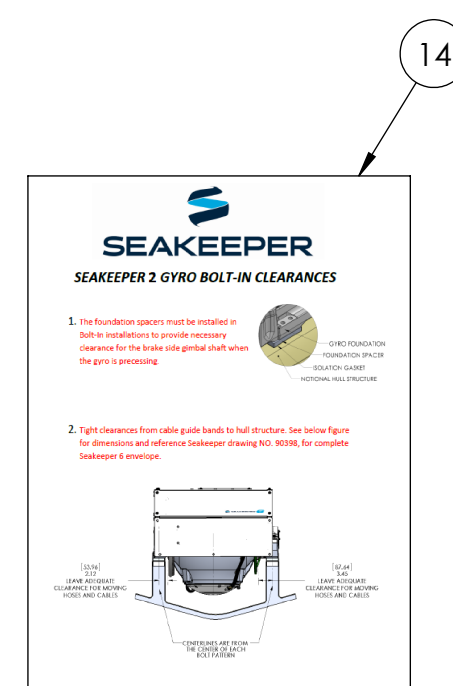
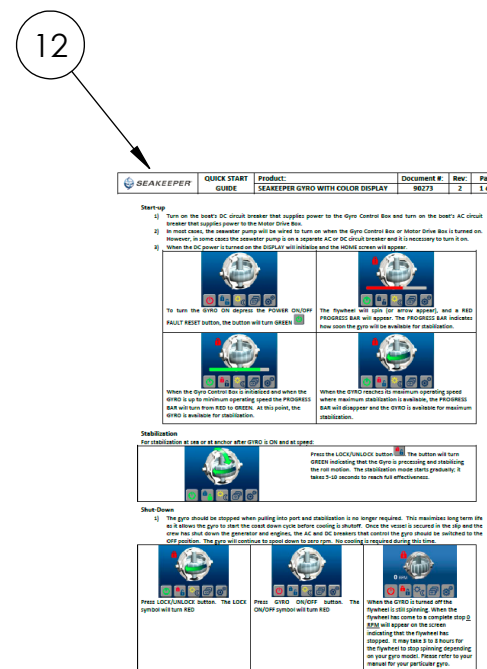
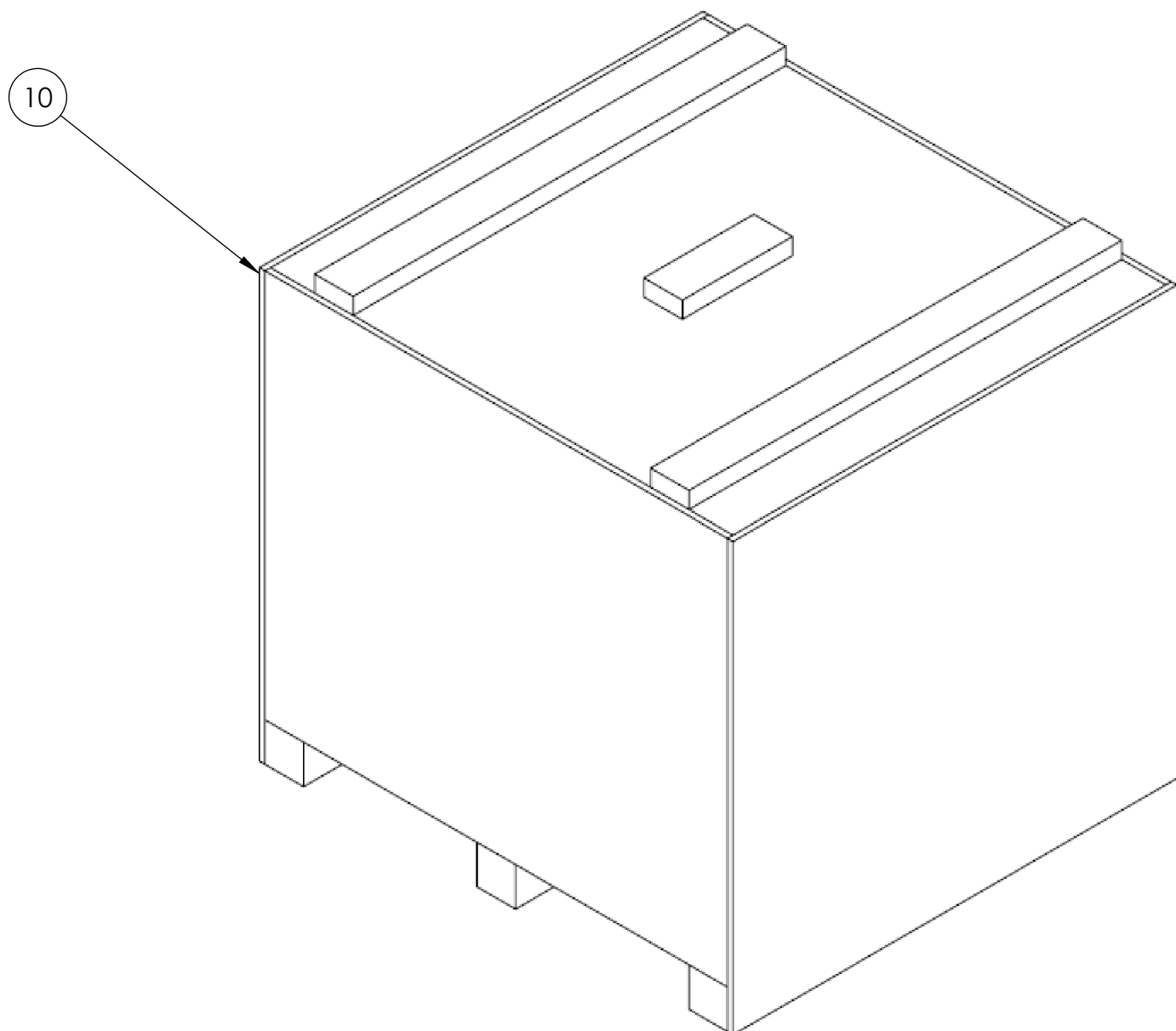
BOLTS ARE SEPERATE IN BAG  
SPACERS AND GROMMETS PRE-INSTALLED



TOGETHER IN CARDBOARD BOX



11 2X  
SEALING SCREWS AND WASHERS  
FOR LIFTING EYE HOLES



ITEM NO.	DESCRIPTION	QTY.	NOTE
15	SEAKEEPER CRATE UN-PACKING DOCUMENT	1	
14	SEAKEEPER 2 BOLT-IN CLEARANCE DOCUMENT	1	
13	ELECTRONIC MANUAL DOCUMENT	1	
12	SEAKEEPER QUICK START GUIDE	1	
11	HARDWARE FOR LIFTING EYE SEALS	2	
10	SEAKEEPER SHIPPING CRATE	1	
9	GYRO DC INPUT POWER CABLE ASSEMBLY, 5M LG.	-	
8	CABLE, MALE/FEMALE, NMEA 2000 PLASTIC MICRO	-	
7	TERMINATOR, NMEA 2000 MICRO, 120OHM FEMALE	-	
6	DISPLAY CABLE T- ADAPTOR	-	
5	CABLE, MALE/FEMALE, NMEA 2000 PLASTIC MICRO, 25M LG.	-	
4	5 INCH TOUCH DISPLAY, GYRO CONTROLLER	-	
3	SEAKEEPER 2 COVER PANEL	1	
2	COVER PANEL HARDWARE	7	
1	SEAKEEPER 2 GYRO ASSEMBLY	1	

WEIGHT - LBS : ---		<p><b>PROPRIETARY AND CONFIDENTIAL</b></p> <p>THE INFORMATION CONTAINED IN THIS DRAWING IS THE SOLE PROPERTY OF SEAKEEPER INCORPORATED. ANY REPRODUCTION IN PART OR AS A WHOLE WITHOUT THE WRITTEN PERMISSION OF SEAKEEPER IS PROHIBITED.</p>		<p>Seakeeper Inc. 44425 Pecan Court, Suite 151 California, MD 20619</p>			
MATERIAL: ---						<p>NAME: SK2 HARDWARE SCOPE OF SUPPLY</p>	
DRAWN: WHK DATE: 10JAN2018						<p>DWG NUMBER: 90469</p>	
ENG APPR: --- DATE: ---		<p>REV. NO. SHEET NO. 1 1 OF 1</p>		<p>PROD APPR: --- DATE: ---</p>			