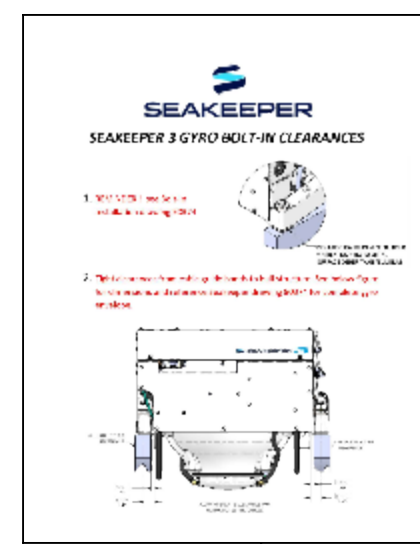
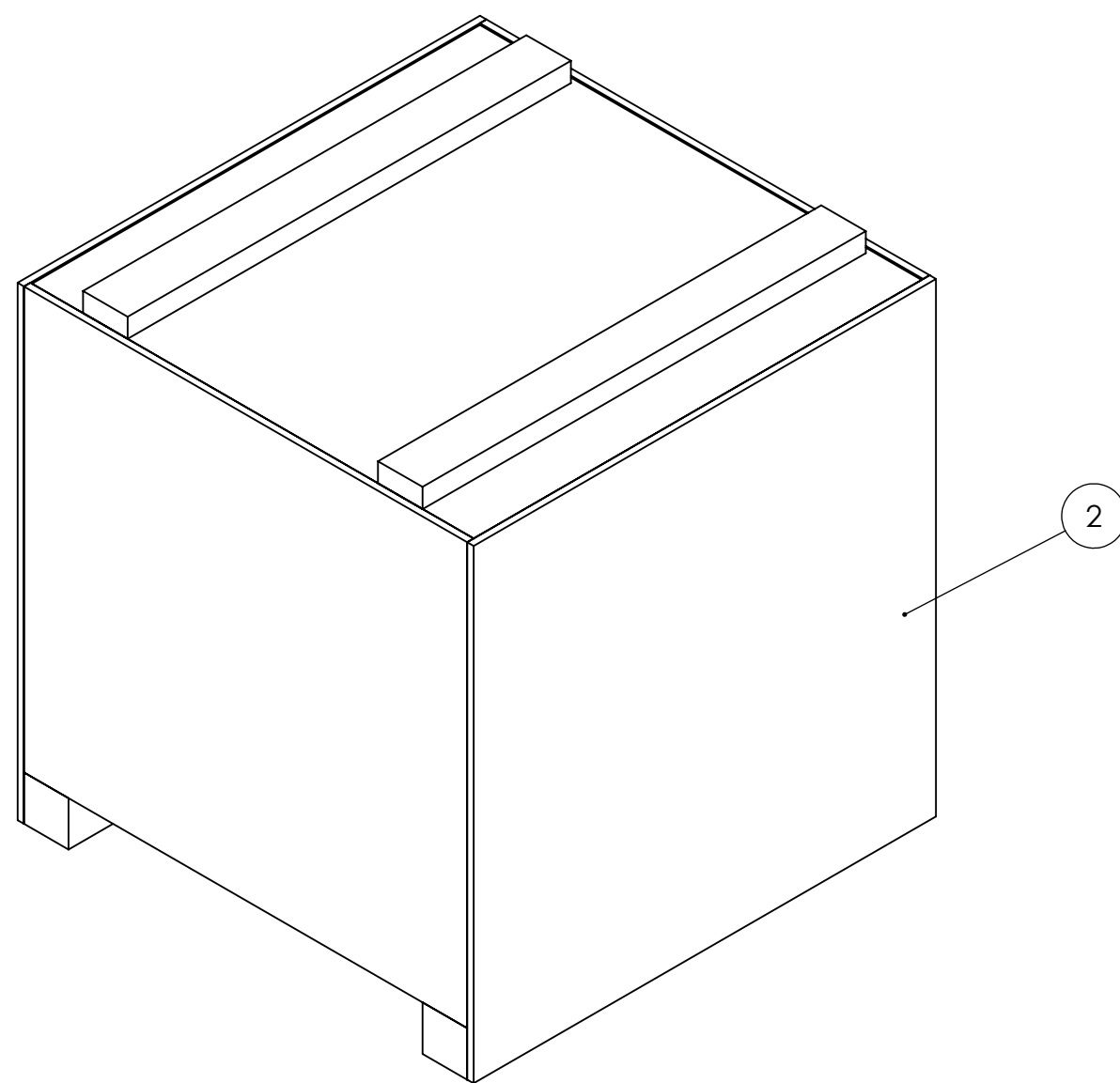
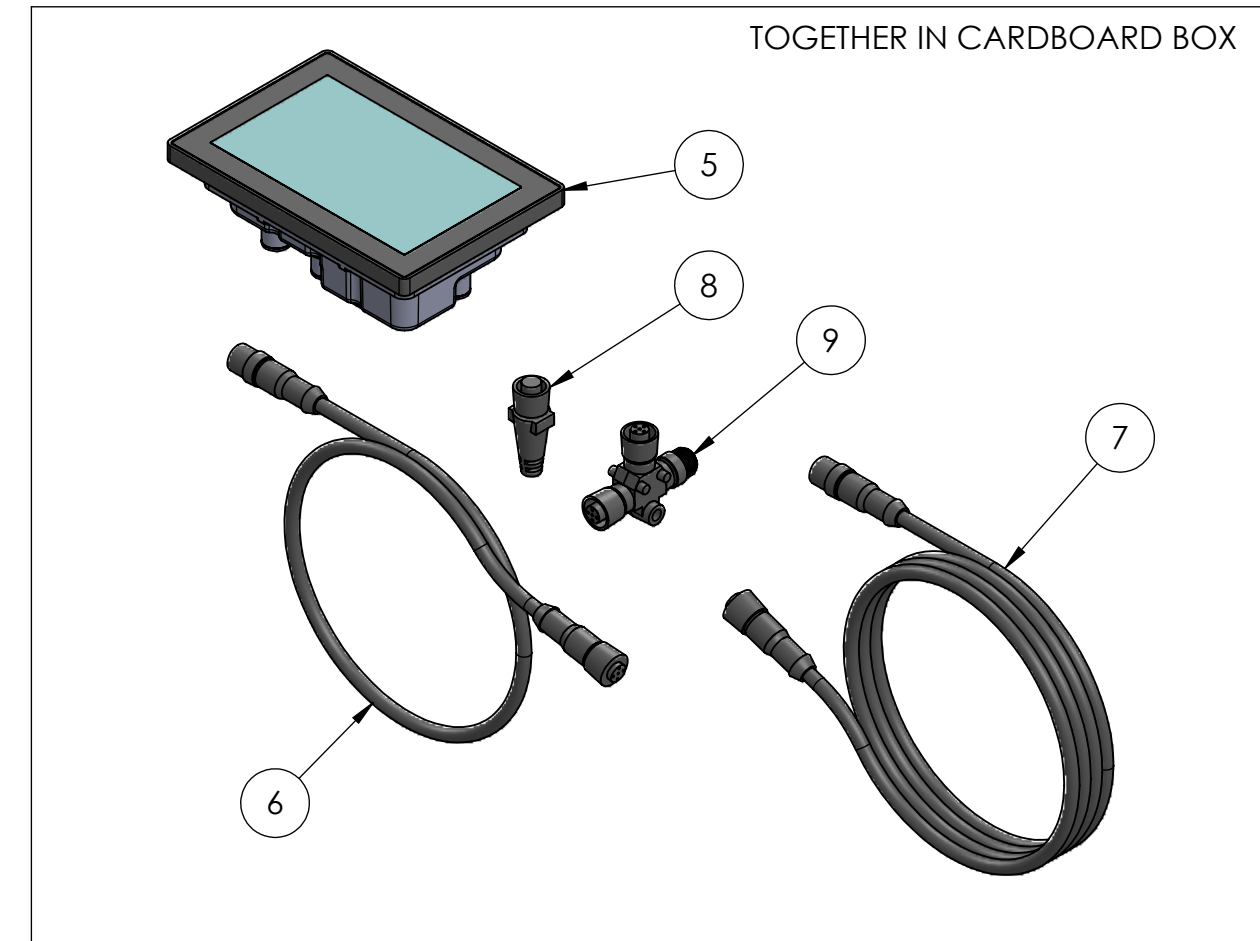
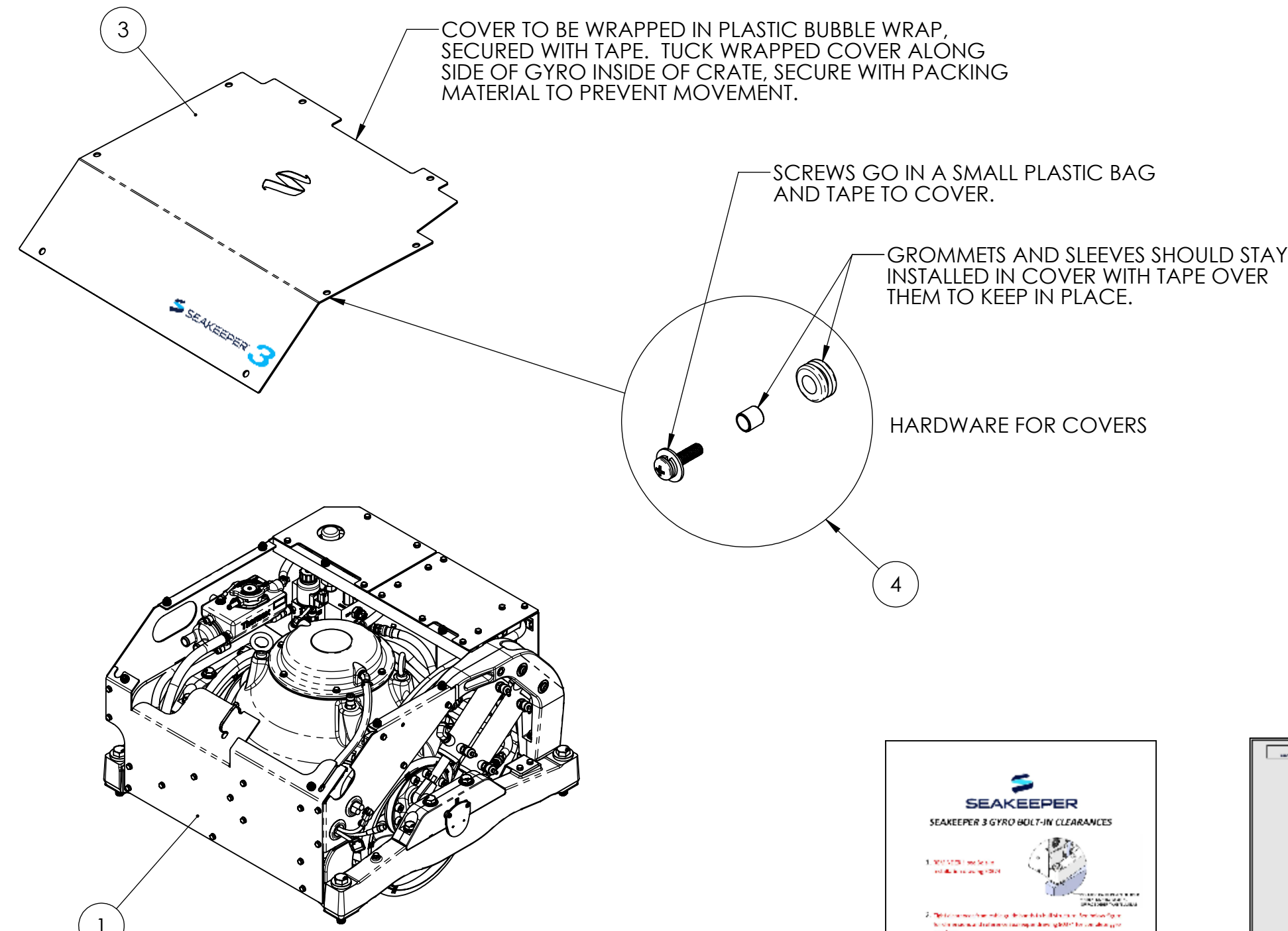
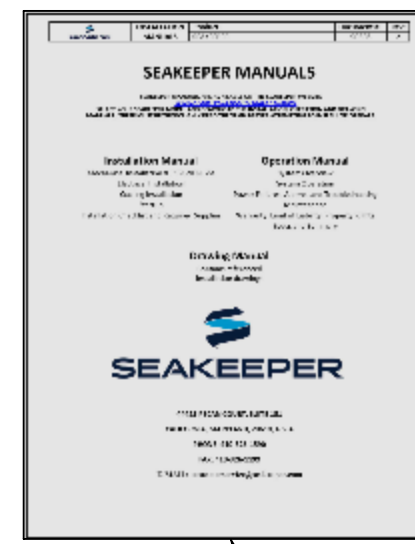


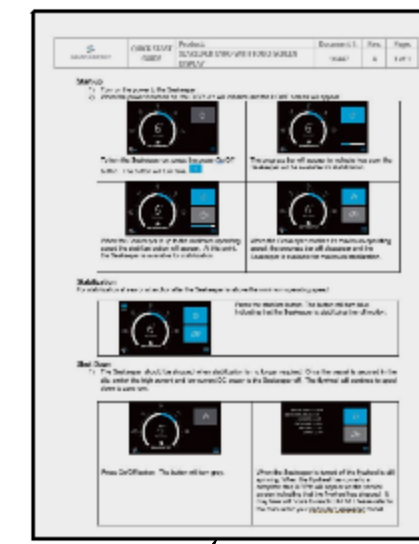
ATTENTION: BEFORE REMOVING GYRO, USE THIS DRAWING AS A CHECKLIST TO ENSURE ALL NECESSARY ITEMS ARE PRESENT WITHIN THE SHIPPING CRATE. SOME ITEMS MAY BE PACKED UNDERNEATH GYRO.



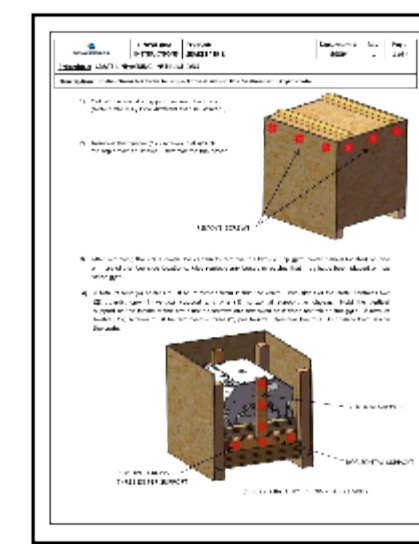
10



11



12



13

SEE CRATE PACKING LIST FOR DOCUMENT INSTRUCTIONS

ITEM NO.	DESCRIPTION	QTY.	NOTES
13	SEAKEEPER 3 CRATE UN-PACKING DOCUMENT	1	
12	QUICK START GUIDE	1	
11	ELECTRONIC MANUAL DOCUMENT	1	
10	SEAKEEPER 3 BOLT IN CLEARANCE DOCUMENT	1	
9	CABLE T - ADAPTOR	1	
8	FEMALE CABLE TERMINATOR	1	
7	GYRO TO DISPLAY CABLE, MALE-FEMALE, 10 METERS LONG	1	
6	DISPLAY CABLE, MALE-FEMALE, 1 METER LONG	1	
5	5" TOUCH DISPLAY	1	
4	TOP COVER HARDWARE	8	
3	SEAKEEPER 3 TOP COVER WITH LOGO	1	
2	SEAKEEPER 3 SHIPPING CRATE	1	
1	SEAKEEPER GYRO, MODEL 3	1	

<p>PROPRIETARY AND CONFIDENTIAL</p> <p>THE INFORMATION CONTAINED IN THIS DRAWING IS THE SOLE PROPERTY OF SEAKEEPER INCORPORATED. ANY REPRODUCTION IN PART OR AS A WHOLE WITHOUT THE WRITTEN PERMISSION OF SEAKEEPER IS PROHIBITED.</p>		<p>Seakeeper Inc. 44425 Pecan Court, Suite 151 California, MD 20619</p>	
WEIGHT - LBS: ---	MATERIAL: ---	<p>NAME: SEAKEEPER 3 HARDWARE SCOPE OF SUPPLY</p> <p>DRAWN: SAC DATE: 20SEP2016</p> <p>ENG APPR: DATE:</p> <p>PROD APPR: DATE:</p>	<p>DWG NUMBER: 90388</p> <p>REV. NO. SHEET NO.: 1 1 OF 1</p>