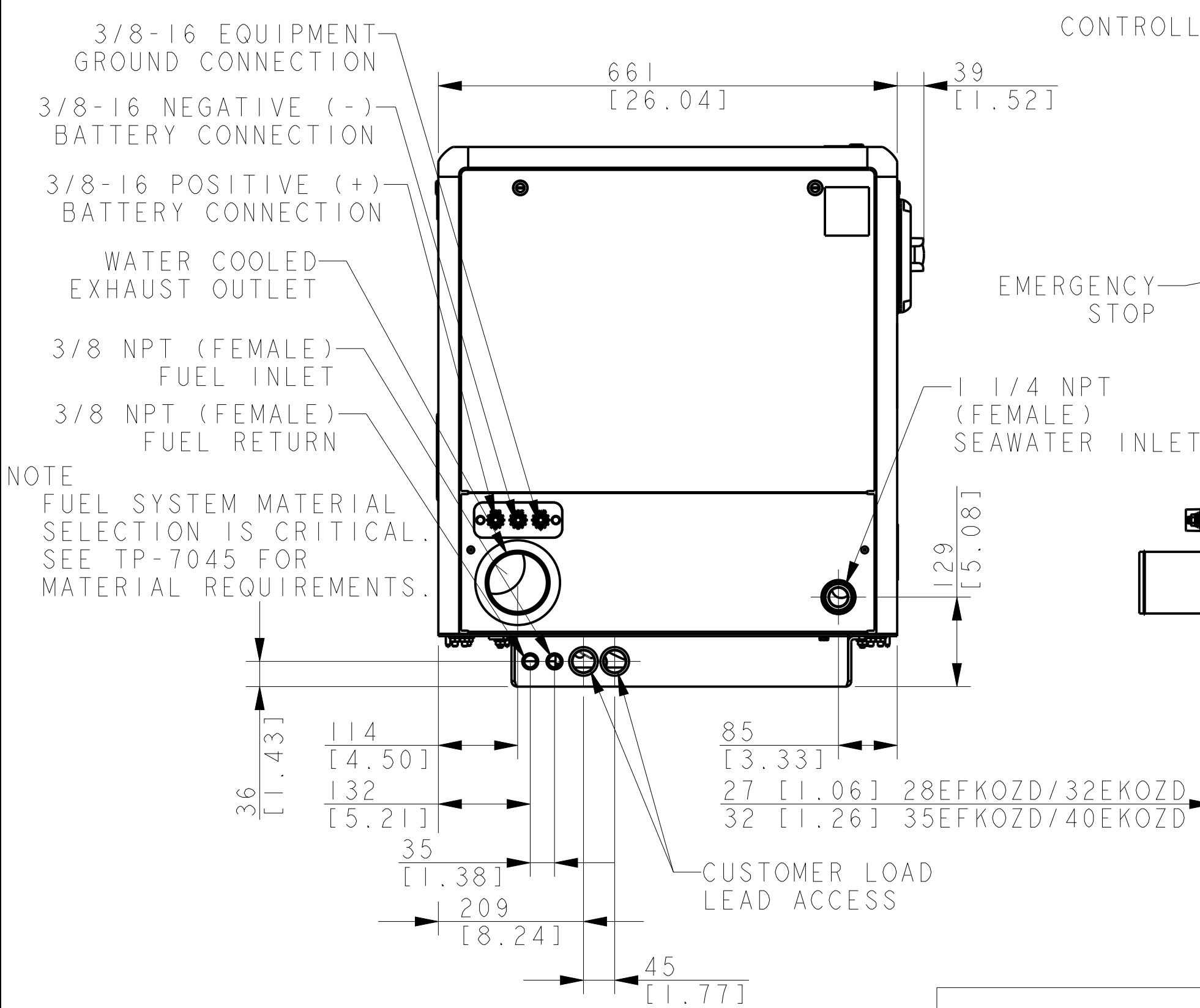
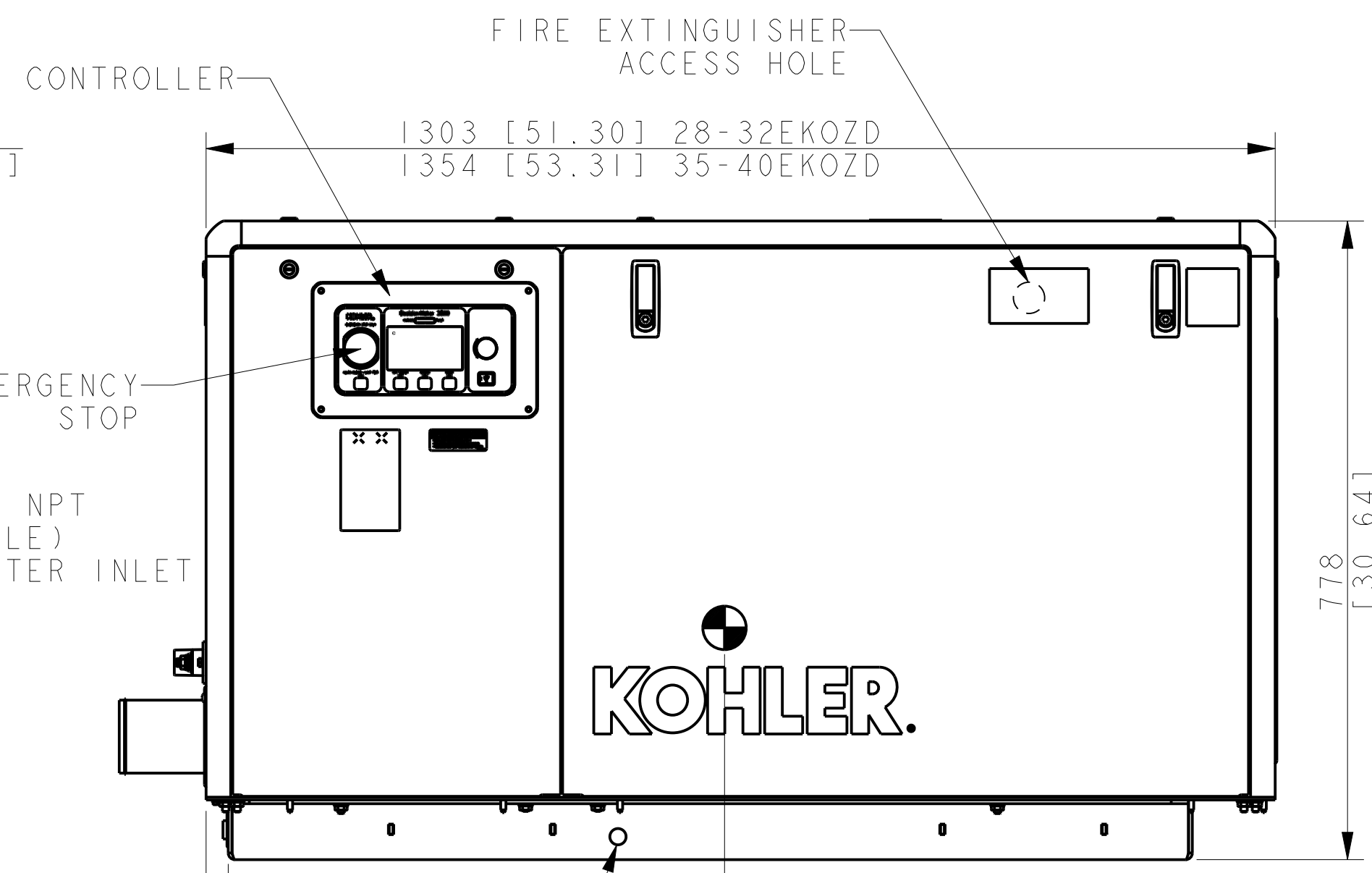


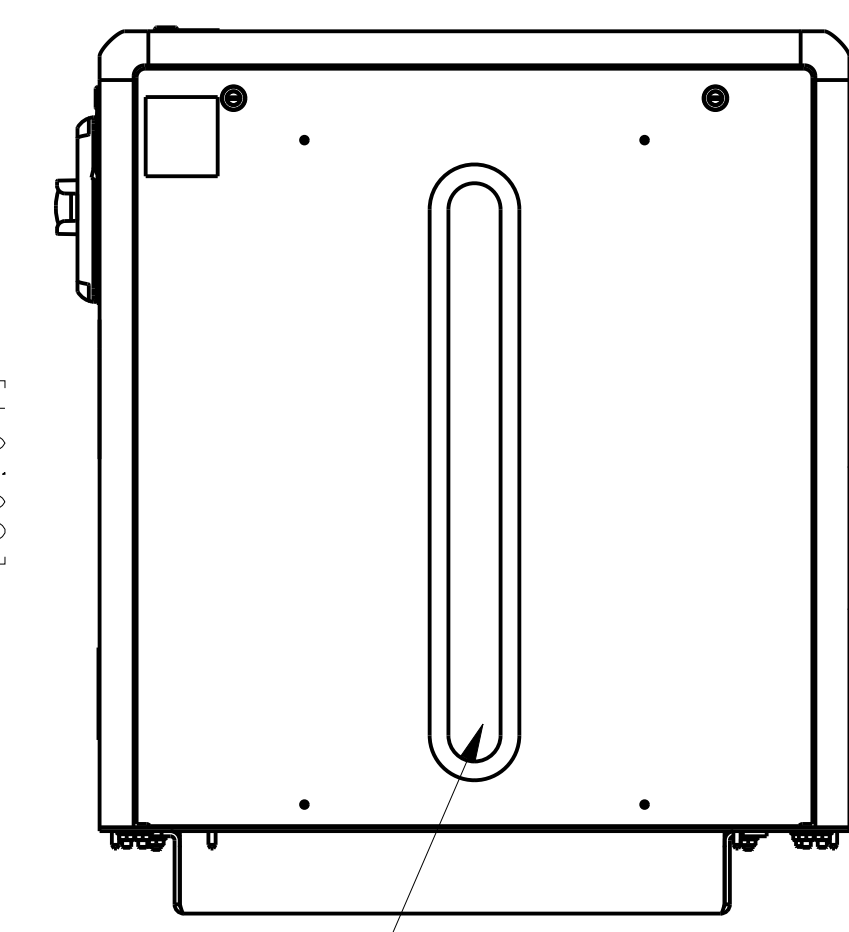
OPTIONAL SIPHON BREAK CONNECTION KIT
SCALE 0.250



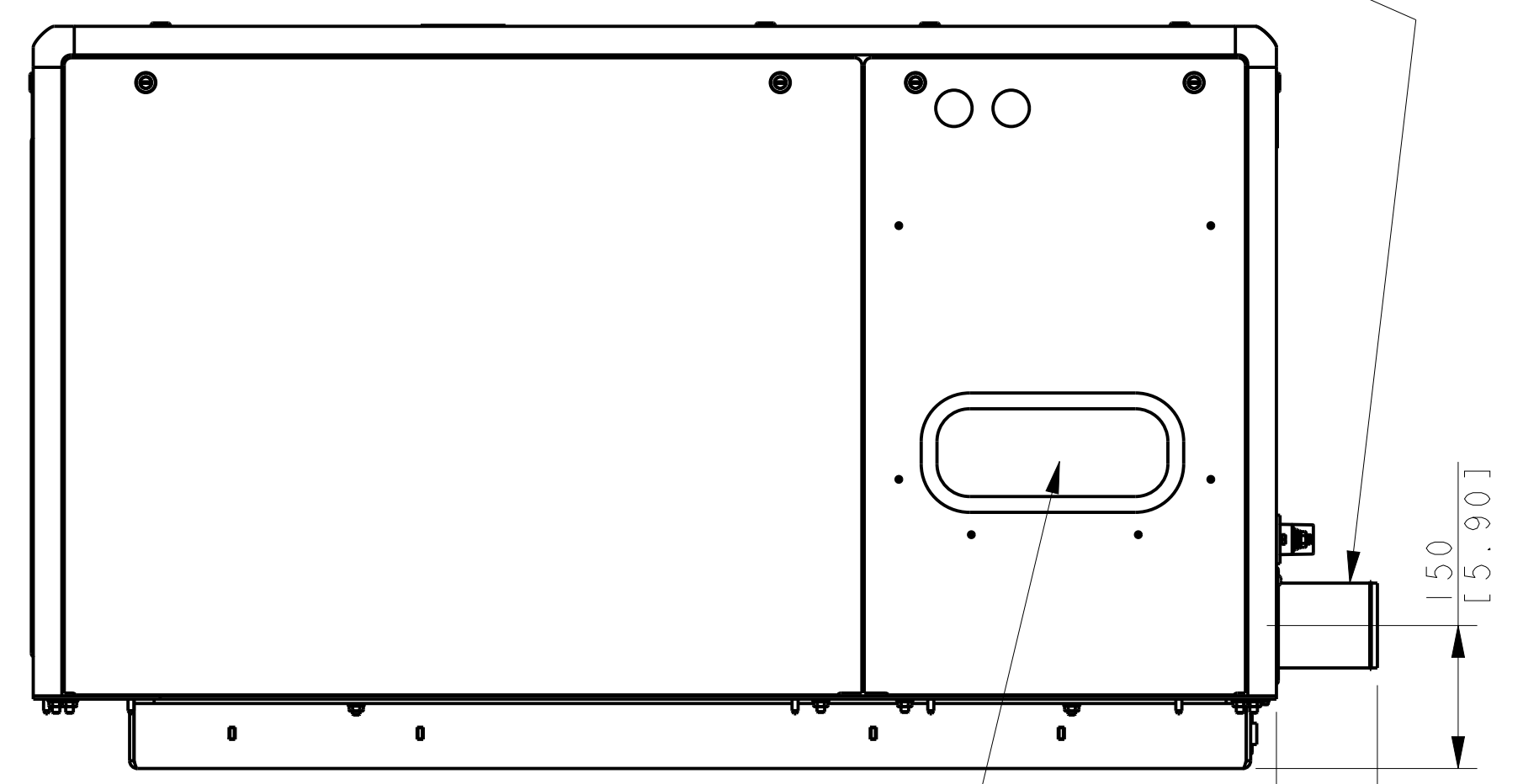
NOTE
FUEL SYSTEM MATERIAL SELECTION IS CRITICAL. SEE TP-7045 FOR MATERIAL REQUIREMENTS.



REAR EXHAUST SOUND SHIELD KIT



GENERATOR AIR OUTLET



GENERATOR AIR INLET
106 [4.17] 28EFKOZD/32EKOZD
55 [2.16] 35EFKOZD/40EKOZD

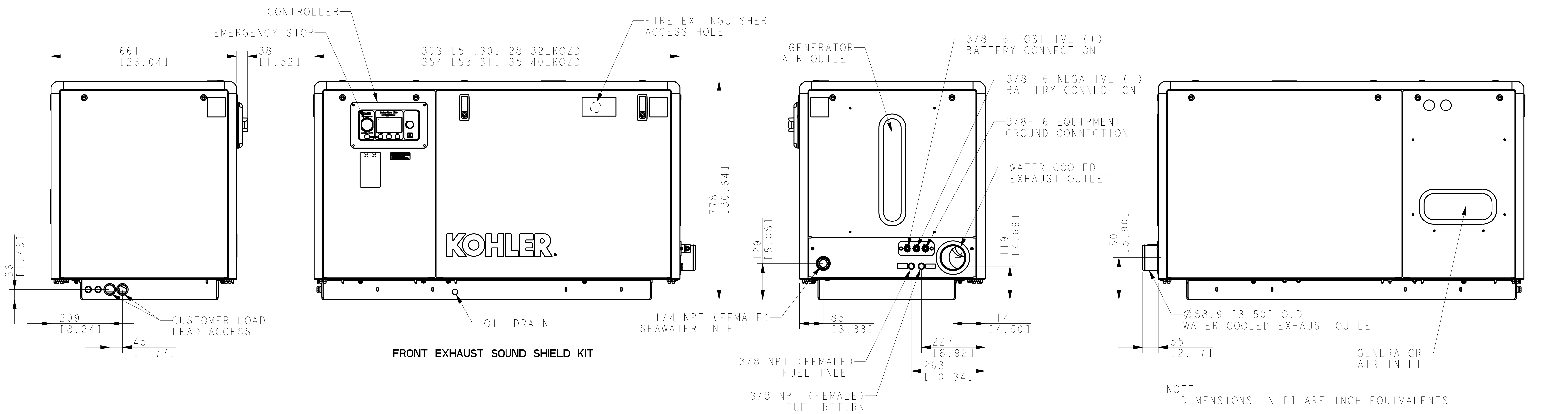
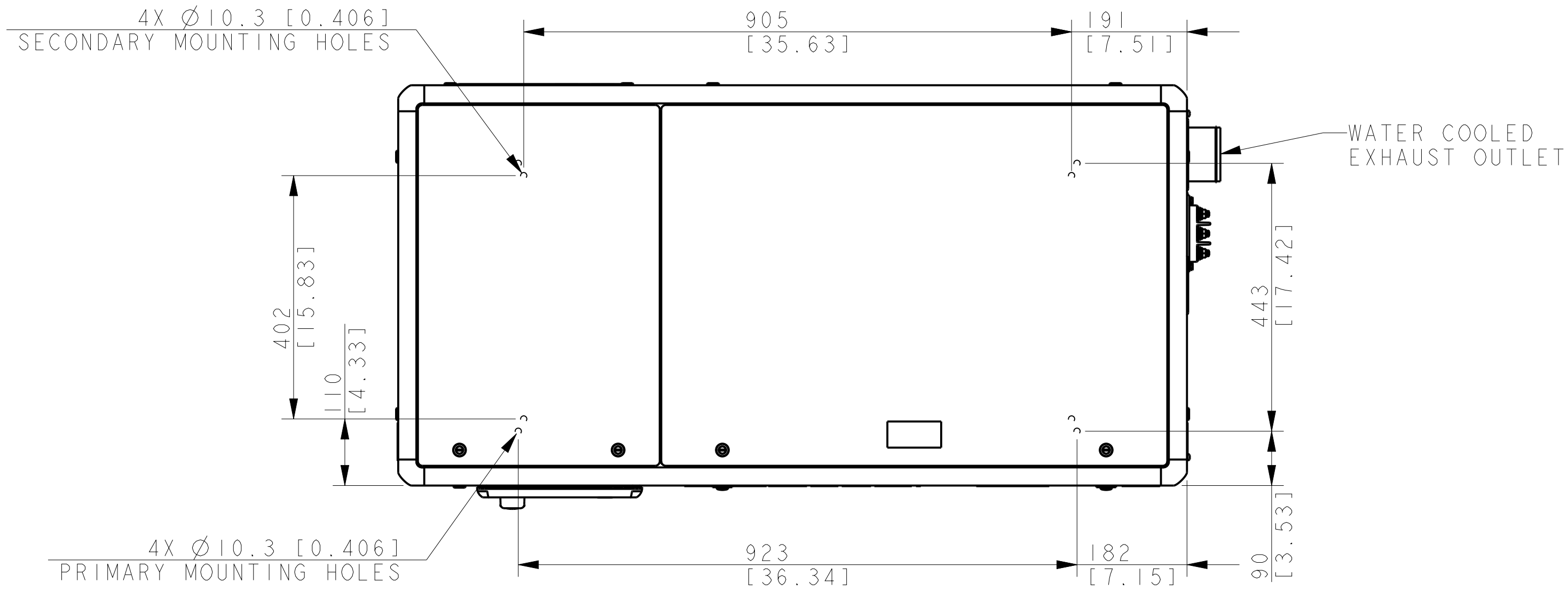
| MODEL | WEIGHT | | C.O.B. (DIM "X") |
|------------------|---------------|----------------|------------------|
| | WET -KG [LBS] | DRY - KG [LBS] | MM [IN.] |
| 28EFKOZD/32EKOZD | 607 [1339] | 591 [1303] | 584 [23.00] |
| 35EFKOZD/40EKOZD | 637 [1404] | 620 [1367] | 624 [24.56] |

NOTE
C.O.B. DIMENSION IS TAKEN FROM REAR OF DRIP TRAY.

28EFKOZD/32EKOZD
35EFKOZD/40EKOZD
KOHLER DIESEL MARINE
SOUND SHIELD

NOTE
DIMENSIONS IN [] ARE INCH EQUIVALENTS.

| REV | DATE | ON COMPOSITE DWGS, SEE PART NO. FOR REVISION LEVEL | BY | DO NOT SCALE. REFERENCE THE MODEL FOR ALL UNSPECIFIED DIMENSIONS |
|-----|---------|---|-----|---|
| - | 2-24-17 | NEW DRAWING [CT172951] | DDH | UNLESS OTHERWISE SPECIFIED: ALL DIMENSIONS IN MILLIMETERS GENERAL TOLERANCES: N/A |
| A | 11-8-17 | (A-5) WEIGHTS & CENTER OF BALANCE UPDATED; (A-6) CENTER OF BALANCE RELOCATED TO REAR OF DRIP TRAY; (A-7) 27 [1.06] & 32 [1.26] DIMENSIONS ADDED [CT179505] | DDH | KOHLER KOHLER, WISCONSIN 53044 THIS DRAWING IN DESIGN AND DETAIL IS KOHLER CO. PROPERTY AND MUST NOT BE USED EXCEPT IN CONNECTION WITH KOHLER CO. WORK. ALL RIGHTS OF DESIGN OR INVENTION ARE RESERVED. TITLE DIMENSION PRINT, 28-40 KW KDI MARINE SS SCALE 0.15 CAD NO. SHEET 1 of 2 DWG NO. ADV-8858 |
| B | 1-9-18 | (B-8) FUEL SYSTEM NOTE ADDED [CT183071] | DDH | |



NOTE
FUEL SYSTEM MATERIAL SELECTION IS CRITICAL. SEE TP-7045 FOR MATERIAL REQUIREMENTS.

NOTE
DIMENSIONS IN [] ARE INCH EQUIVALENTS.
SEE SHEET 1 FOR SIPHON BREAK SIZES, WEIGHTS AND CENTER OF BALANCE.

| REV | DATE | ON COMPOSITE DWGS, SEE PART NO. FOR REVISION LEVEL | BY | DO NOT SCALE. REFERENCE THE MODEL FOR ALL UNSPECIFIED DIMENSIONS |
|------------------------|---------|--|-----|---|
| - | 2-24-17 | NEW DRAWING [CTI72951] | DDH | UNLESS OTHERWISE SPECIFIED: ALL DIMENSIONS IN MILLIMETERS GENERAL TOLERANCES: N/A |
| A | 11-8-17 | SEE SHEET 1 [CTI79505] | DDH | |
| B | 1-9-18 | (A-4) FUEL SYSTEM NOTE ADDED [CTI83071] | DDH | |
| THIRD ANGLE PROJECTION | | | | |
| APPROVALS | | DATE | | |
| DRAWN DDH | | 2-24-17 | | |
| CHECKED DDH | | 2-24-17 | | |
| APPROVED MBA | | 2-24-17 | | |

KOHLER
KOHLER, WISCONSIN 53044

THIS DRAWING IN DESIGN AND DETAIL IS KOHLER CO. PROPERTY AND MUST NOT BE USED EXCEPT IN CONNECTION WITH KOHLER CO. WORK. ALL RIGHTS OF DESIGN OR INVENTION ARE RESERVED.

TITLE
DIMENSION PRINT, 28-40 KW KDI MARINE SS

SCALE 0.15 CAD NO. SHEET 2 of 2

DWG NO. **ADV-8858**