



A MISSION CRITICAL ELECTRONICS BRAND

DOCK BOOST TRANSFORMER



THE SMART BOOSTING ISOLATION TRANSFORMER

The **Dock Boost Transformer** (DBT) provides precision voltage regulation to the vessel, delivering complete protection from the most common shore power problems, including: *brownouts, spikes, sags, and low-line or high-line voltage conditions from the dock power pedestal.* The DBT also provides three levels of boost to keep your ship powered even when input voltages sag by 35%.

FEATURES

- Auto-Restart from shore brownout or blackout
- Auto-Restart from overload
- Fault shield for bonded, galvanic bridged/isolated ground
- Modbus (RS-485) remote diagnostics
- kWh meter
- Advanced power monitoring (input/output parameters)
- Microprocessor based over and under voltage/current protection

BENEFITS

COMPACT + LIGHTWEIGHT

The DBT features a compact and lightweight footprint. By providing an industry recognized mounting pattern, it will fit as the perfect replacement for new construction or retrofit applications.

DURABLE DESIGN

Designed to withstand the most demanding marine environments, the DBT series is constructed with rugged stainless steel/aluminum housing with conformal coated printed circuit boards.

WIDE VOLTAGE ACCEPTANCE

The DBT12/15 accepts any input voltage ranging from 167VAC-270VAC (47-70Hz) and provides a split phase 120/240V or 115/230VAC output nominal. The DBT24 accepts nominal voltages of 230, 400V and 480V - each with the same wide range - to provide a 115/230V Split phase output.

WEIGHTS AND DIMS

DOCK BOOST SERIES

MODEL(s)	DIMENSIONS	WEIGHT
DBT12	in - 12.1 x 13.2 x 18.7 (cm - 30.7 x 33.5 x 47.5)	127lbs (58kg)
DBT15	in - 12.1 x 13.2 x 18.7 (cm - 30.7 x 33.5 x 47.5)	135lbs (61kg)
DBT24	in - 16.1 x 19.6 x 24.5 (cm - 40.9 x 49.8 x 62.2)	400lbs (180kg)

Contact us for more information and pricing

+1 (714) 896-9695

sales@aseapower.com

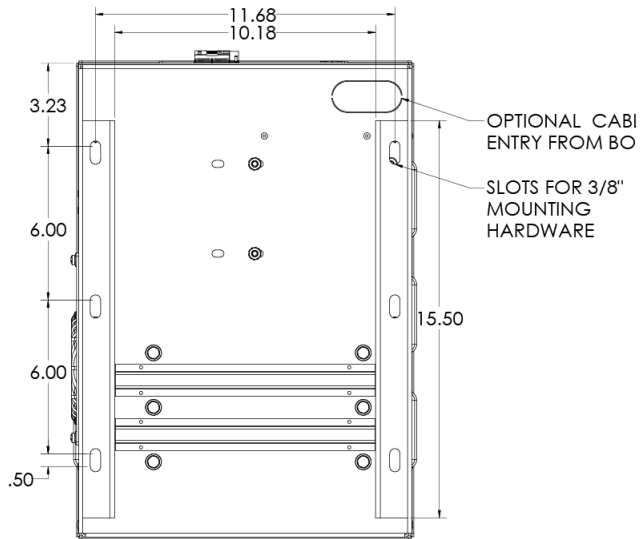
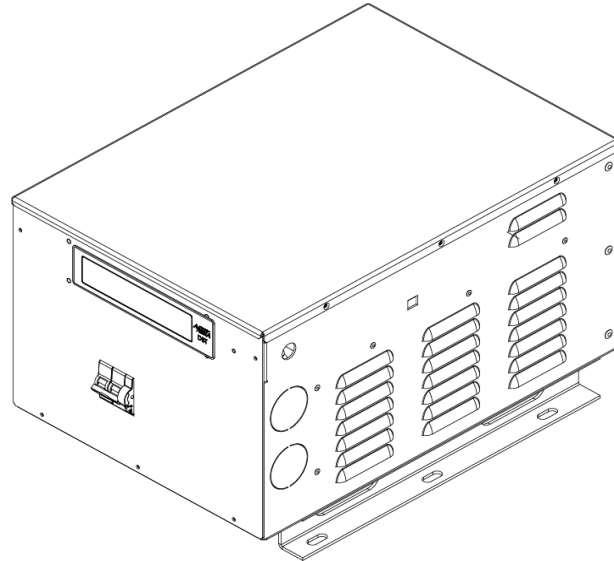
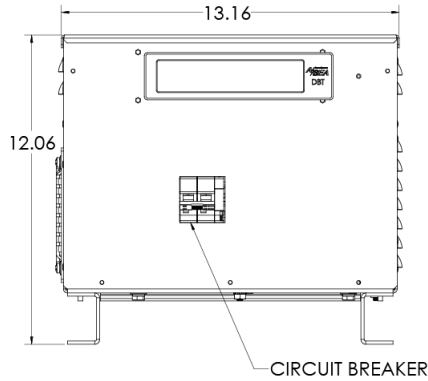
www.aseapower.com

www.facebook.com/aseapower

CABINET DETAILS

MECHANICAL DRAWINGS AND STYLES

DOCK BOOST TRANSFORMER 12/15KVA

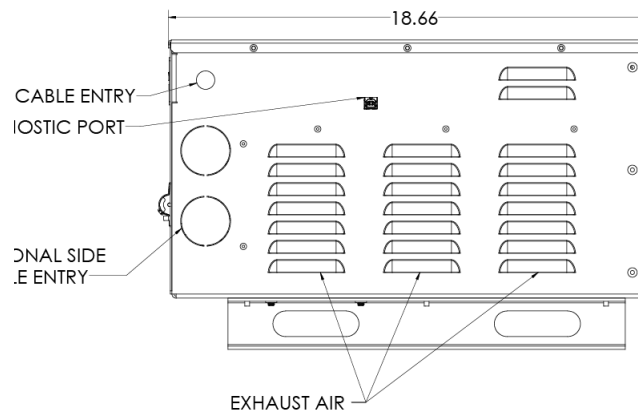
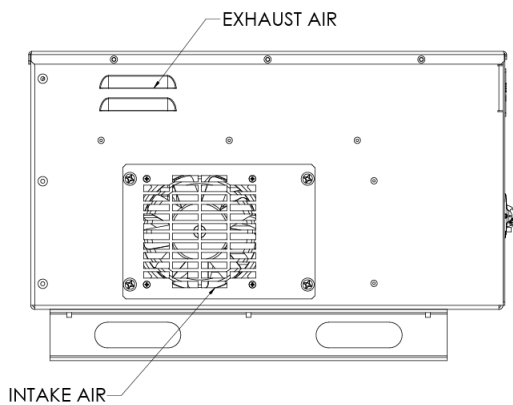


WEIGHT

DBT12 127lbs (57kg)
DBT15 135lbs (61kg)

DIMENSIONS

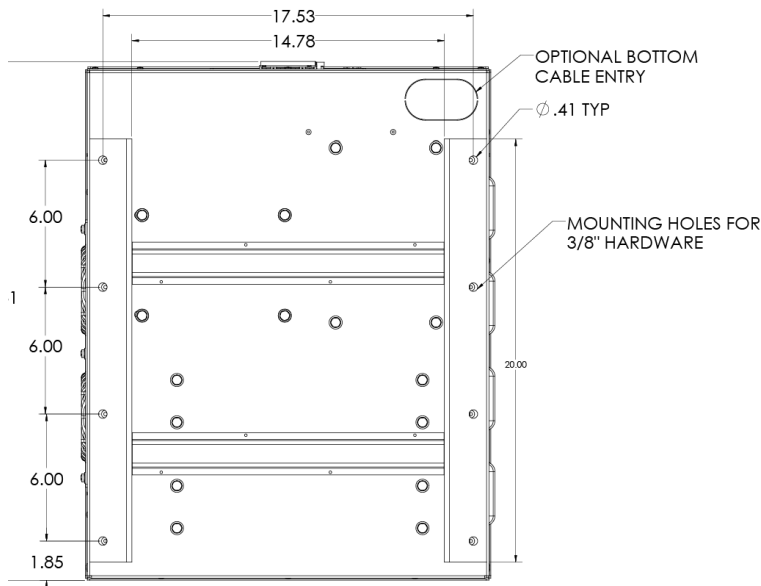
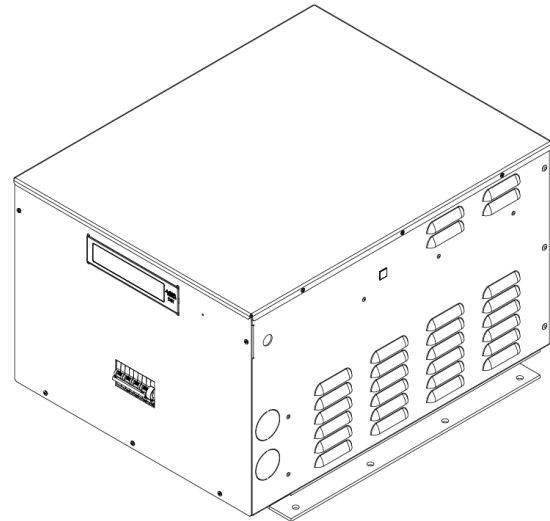
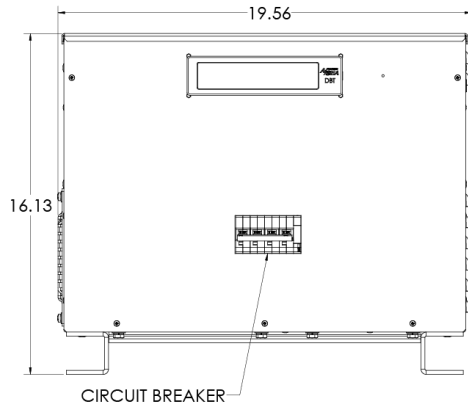
in - 12.1 x 13.2 x 18.7
(cm - 30.7 x 33.5 x 47.5)



CABINET DETAILS

MECHANICAL DRAWINGS AND STYLES

DOCK BOOST TRANSFORMER 24KVA

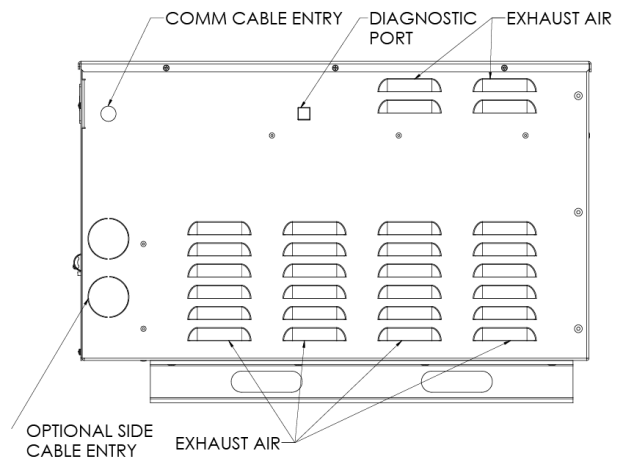
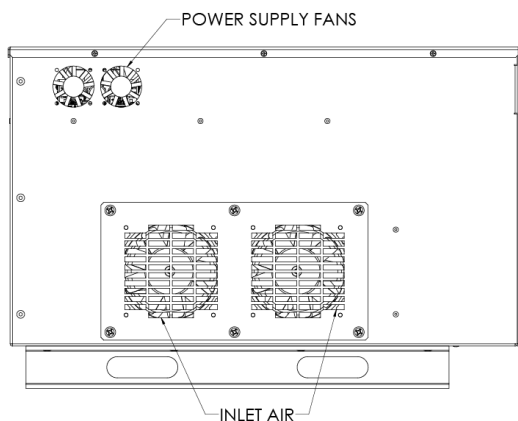


WEIGHT

400lbs (180kg)

DIMENSIONS

in - 16.1 x 19.6 x 24.5
(cm - 40.9 x 49.8 x 62.2)



SPECIFICATIONS

POWER LEVEL 12-24KVA



INPUT	DBT12	DBT15 (GLOBAL)		DBT24 (GLOBAL)				
FREQUENCY	60Hz	50Hz	60Hz	50Hz			60Hz	
VOLTAGE	240VAC	230VAC	240VAC	230VAC	400VAC	480VAC	240VAC	480VAC
PHASE	single	single		single				
AMPS	50A	63A	50A	100A	58A	50A	100A	50A
AUTO-RESTART	standard	standard		standard				
SHORE CORD	single	single		single				

OUTPUT	DBT12	DBT15 (GLOBAL)		DBT24 (GLOBAL)	
FREQUENCY	60Hz	50Hz	60Hz	50Hz	60Hz
NOMINAL VOLTAGE	120/240VAC	115/230VAC	115/230VAC	115/230VAC	115/230VAC
PHASE	single / split	single / split		single / split	
AMPS	50A	63A	50A	100A	100A
BASE POWER LEVEL	12kVA	15kVA	12kVA	23kVA	24kVA
PARALLELED POWER	24kVA	30kVA	24kVA	46kVA coming soon...	

The ASEA Dock Boost Transformer surpasses the Charles Iso-Boost™ with flying colors; the **smaller footprint**, and **46% weight decrease** makes the unit not only the perfect replacement, but an undeniable upgrade.

In addition to the DBT's mechanical dominance, technical features include a CPU board with enhanced capabilities for communications and monitoring, auto-restart after latching, data capture of shutdown events to aid troubleshooting, and an increased programmed trip limit

