

HELIX® 5 Series In-Dash Mounting Installation Guide


532319-2_A

Installation Overview

Following are instructions for the in-dash mount installation of the HELIX 5 control head. We encourage you to read this guide before starting the installation, so you may understand the installation requirements.

Technical Support: If you find that any items are missing from your installation kit, visit our Web site at humminbird.com or call Humminbird® Technical Support at **1-800-633-1468**.

Supplies: In addition to the hardware supplied with your accessory, you will need a drill and various drill bits, a cutting tool for the dashboard material, safety glasses and dust mask, rubbing alcohol, and masking tape.

 **NOTE:** The illustrations in this manual may not look the same as your product, but your product will function in the same way.

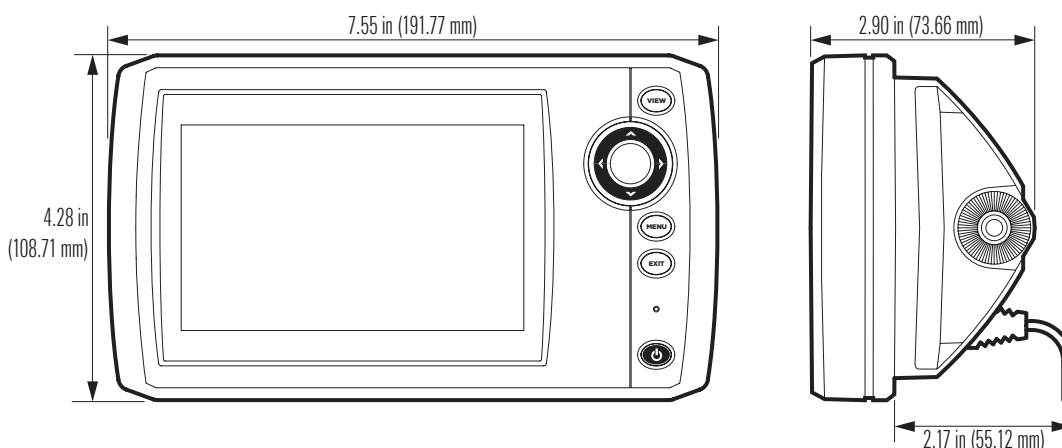
1. Plan the Mounting Location

Start by locating a suitable, flat area of the dashboard for mounting. Consider the following to find the best mounting location:

- **Interference:** The mounting location must provide adequate distance from electric motors or any equipment that may cause electronic interference.
- **Stability:** The mounting area should be protected from waves, shock, vibration, and water.
- **Depth:** The mounting area should have a depth of 3 inches (7.62 cm) to allow space for the control head and cables.
- **Ventilation:** The area beneath the mounting surface should be well-ventilated.
- **Accessibility:** The location should be easily accessible for all cables to reach the ports on the back of the control head.

 **NOTE:** If a cable is too short for your application, extension cables are available. For assistance, contact Humminbird Technical Support at humminbird.com or call **1-800-633-1468**.

HELIX 5 Series In-Dash Mounting Dimensions



2. Cut the In-Dash Mounting Hole

To in-dash mount the HELIX control head, start by placing the components on the surfaces where you intend to install them.

1. Review the instructions, measurements, and cutting options indicated on the In-dash Mounting Template.
2. Tape the template to the chosen in-dash mounting location.

HELIX® 5 Series In-Dash Mounting Installation Guide

532319-2_A

3. Using the template, select the cutting method that is best for your boat:
 - Drill one entry hole away from the main cut line that is large enough to insert the blade of your cutting tool.

OR

 - Drill a corner hole away from the main cut line using a drill bit that will create a hole as close to a diameter of .42 inches (10.7 mm) as possible. Repeat for the other three corners as indicated on the template. Use one of the corner holes as an entry hole, or drill an additional entry hole away from the main cut line.
4. Carefully begin cutting toward the cut line, and continue cutting to the **inside of the line** around the template.
5. **Test the Mounting Hole:** Install the control head in the mounting hole to test the fit. Make adjustments to the mounting hole as needed. Remove the template when finished.
6. Thoroughly clean and deburr the mounting hole.

3. Install the Control Head

1. **Clean the Mating Surfaces:** Use rubbing alcohol to clean the edges of the in-dash mounting hole and the back rim of the control head where the gasket will be installed (see the illustration *Installing the Gasket*). Allow the cleaned areas to dry completely.
 2. Place the control head, with the screen facing down, on a towel or cloth on a stable and level surface.
 3. Peel the brown liner from the adhesive backing on the gasket.
 4. Hold the sides of the plastic film attached to the gasket with the adhesive side facing down (see the illustration *Installing the Gasket*). Carefully align the gasket around the rim of the control head so it is centered. Confirm there are no uneven gaps.
- ⚠ CAUTION!** Use caution when handling the gasket. Do not allow the adhesive to touch the sides or rear of the control head during installation.
5. **Lightly press one side of the gasket** down onto the flat rim of the control head.
 6. Confirm the alignment has not changed and that the gasket is centered around the control head. Then lightly press down on the remaining sides of the gasket. Make adjustments, as needed.
 7. Carefully peel the plastic film from the gasket.
 8. Insert the control head through the mounting hole from the front side of the dash. **Press down firmly around the sides of the control head for 20 seconds to secure the adhesive.**

4. Route and Connect the Cables

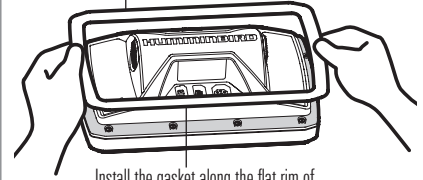
1. See the installation guides included with each hardware component to install power and other optional equipment.
2. Route all cables (power, transducer, accessories) to the control head and insert the connectors into the correct ports on the back of the control head (see the illustration *Connecting the Cables* and *Control Head Ports*).

- ⚠ CAUTION!** Do NOT mount the cables where the connectors could be submerged in water or flooded. If cables are installed in a splash-prone area, it may be helpful to apply dielectric grease to the inside of the connectors to prevent corrosion. Dielectric grease can be purchased separately from a general hardware or automotive store.

Your control head is ready for on-the-water operation. See your control head operations manual for further details.

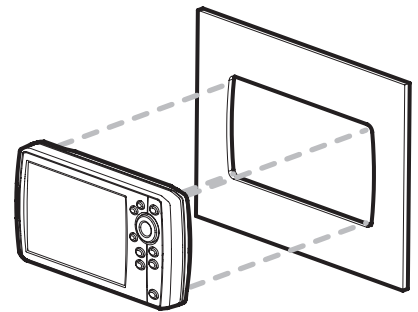
Installing the Gasket

Confirm the gasket is evenly centered around the rim of the control head.

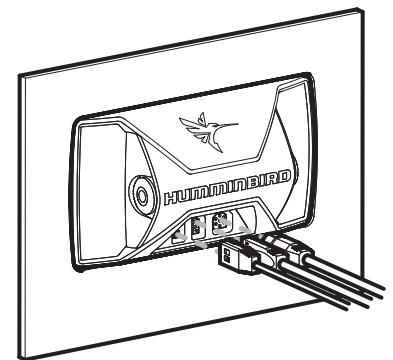


Install the gasket along the flat rim of the control head (highlighted in grey).

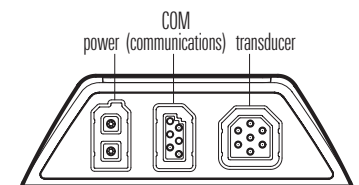
Installing the Control Head



Connecting the Cables



Control Head Ports



Optional: Use a Y-cable to connect Transducer and Speed Sensor Accessory

1-Year Limited Warranty

We warrant the original retail purchaser that products made by Humminbird have been manufactured free from defects in materials and workmanship. This warranty is effective for one year from the date of original retail purchase. Humminbird products found to be defective and covered by this warranty will be repaired or replaced free of charge at Humminbird's option and returned to the customer freight prepaid. Humminbird's sole responsibility under this warranty is limited to the repair or replacement of a product that has been deemed defective by Humminbird. Humminbird is not responsible for charges connected with the removal of such product or reinstallation of replaced or repaired parts; or shipping charges to the factory or authorized service center (if outside the U.S.).

This warranty does not apply to a product that has been:

- Improperly installed;
- Used in an installation other than that recommended in the product installation and operation instructions, including commercial applications;
- Damaged or has failed because of an accident or abnormal operation;
- Repaired or modified by entities other than Humminbird.

Please retain your original receipt as a proof of the purchase date. This will be required for in-warranty service.

THIS WARRANTY IS EXPRESSLY IN LIEU OF ANY OTHER WARRANTIES, OBLIGATIONS OR LIABILITIES ON THE PART OF HUMMINBIRD AND WILL BE THE CUSTOMER'S EXCLUSIVE REMEDY, EXCEPT FOR ANY APPLICABLE IMPLIED WARRANTIES UNDER STATE LAW WHICH ARE HEREBY LIMITED IN DURATION TO ONE YEAR FROM THE DATE OF ORIGINAL PURCHASE. IN NO EVENT WILL HUMMINBIRD BE LIABLE FOR ANY INCIDENTAL OR CONSEQUENTIAL DAMAGES FOR BREACH OF ANY EXPRESS OR IMPLIED WARRANTY RELATING TO THE PRODUCTS.

Some states do not allow limitations on an implied warranty, or the exclusion of incidental or consequential damages, so the above exclusions may not apply to you. You may also have other rights, which vary from state to state.

Humminbird Service Policy

Even though you'll probably never need to take advantage of our incredible service policy, it's good to know that we back our products this confidently. We do it because you deserve the best. We will make every effort to repair your unit within three business days from the receipt of your unit at our factory. This does not include shipping time to and from our factory. Units received on Friday are typically shipped by the following Wednesday, units received Monday are typically shipped by Thursday, etc.

All repair work is performed by factory-trained technicians to meet exacting factory specifications. Factory-serviced units go through the same rigorous testing and quality control inspections as new production units.

After the original warranty period, a standard flat rate service charge will be assessed for each repair (physical damage and missing parts are not included). Any repairs made after the original warranty will be warranted for an additional 90 days after service has been performed by our factory technicians. You can contact Technical Support or visit our Web site to verify the flat rate repair fee for your product (visit the Product Support section):

<http://www.humminbird.com>

We reserve the right to deem any product unserviceable when replacement parts are no longer available or impossible to obtain. This Service Policy is valid in the United States only. This applies only to Humminbird products returned to our factory in Eufaula, Alabama. This Service Policy is subject to change without notice.

DOMESTIC (USA) CUSTOMERS:

PLEASE DO NOT RETURN THIS PRODUCT TO STORE FOR SERVICE

For all technical issues please call **1-800-633-1468**
or visit humminbird.com, click **SUPPORT**.

Please reference product serial number and model number when contacting Humminbird.

HELIX® 5 Series In-Dash Mounting Installation Guide

532319-2_A

Returning Your Unit for Service

Before sending your unit in for repair, please contact the factory, either by phone or by email, to obtain a Repair Authorization Number for your unit.



NOTE: Please do not return your Humminbird to the store for service.

Please have your product model name and serial number available before calling the factory. If you contact the factory by e-mail, please include your product model name and serial number in the e-mail, and use Request for Repair Authorization Number for your e-mail subject header. You should include your Repair Authorization Number in all subsequent communications about your unit.

For IN-WARRANTY service, complete the following steps:

- Obtain a Repair Authorization Number from Humminbird Technical Support.
- Tag product with your name, street address, phone number and your assigned Repair Authorization Number.
- Include a brief written description of the problem.
- Include a copy of your receipt (to show proof and date of purchase).
- Return product freight prepaid to Humminbird, using an insured carrier with delivery confirmation.

For OUT-OF-WARRANTY service, complete the following steps:

- Obtain a Repair Authorization Number from Humminbird Technical Support.
- Include payment in the form of credit card number and expiration date, or a money order. Please do not send cash.
- Tag product with your name, street address, phone number and your assigned Repair Authorization Number.
- Include a brief written description of the problem.
- Return product freight prepaid to Humminbird, using an insured carrier with delivery confirmation.

Contact Humminbird

Web site: humminbird.com

E-mail: service@humminbird.com

Telephone: 1-800-633-1468

Direct Shipping: Humminbird
Service Department
678 Humminbird Lane
Eufaula, AL 36027 USA



WARNING! Disassembly and repair of this electronic unit should only be performed by authorized service personnel. Any modification of the serial number or attempt to repair the original equipment or accessories by unauthorized individuals will void the warranty.



NOTE: Product specifications and features are subject to change without notice.

ENVIRONMENTAL COMPLIANCE STATEMENT: It is the intention of Johnson Outdoors Marine Electronics, Inc. to be a responsible corporate citizen, operating in compliance with known and applicable environmental regulations, and a good neighbor in the communities where we make or sell our products.

WEEE DIRECTIVE: EU Directive 2002/96/EC "Waste of Electrical and Electronic Equipment Directive (WEEE)" impacts most distributors, sellers, and manufacturers of consumer electronics in the European Union. The WEEE Directive requires the producer of consumer electronics to take responsibility for the management of waste from their products to achieve environmentally responsible disposal during the product life cycle.

WEEE compliance may not be required in your location for electrical & electronic equipment (EEE), nor may it be required for EEE designed and intended as fixed or temporary installation in transportation vehicles such as automobiles, aircraft, and boats. In some European Union member states, these vehicles are considered outside of the scope of the Directive, and EEE for those applications can be considered excluded from the WEEE Directive requirement.




This symbol (WEEE wheeled bin) on product indicates the product must not be disposed of with other household refuse. It must be disposed of and collected for recycling and recovery of waste EEE. Johnson Outdoors Marine Electronics, Inc. will mark all EEE products in accordance with the WEEE Directive. It is our goal to comply in the collection, treatment, recovery, and environmentally sound disposal of those products; however, these requirements do vary within European Union member states. For more information about where you should dispose of your waste equipment for recycling and recovery and/or your European Union member state requirements, please contact your dealer or distributor from which your product was purchased.

Présentation de l'installation

Voici les instructions relatives à l'installation du montage de tableau de bord de la tête de commande HELIX 5. Nous vous invitons à lire la notice avant de commencer l'installation afin de prendre connaissance des exigences.

Assistance technique : Si vous découvrez que des articles sont manquants dans votre trousse d'installation, rendez-vous sur notre site Web, humminbird.com, ou appelez le service d'assistance technique Humminbird® au 1-800-633-1468.

Matériel : En plus de la quincaillerie fournie avec votre accessoire, vous aurez besoin d'une perceuse et de différents forets, d'un outil de coupe pour le matériau du tableau de bord, de lunettes de sécurité et d'un masque antipoussière, d'alcool à friction et d'un ruban-cache.

 **REMARQUE :** Même si les illustrations de ce manuel ne représentent pas exactement votre produit, celui-ci fonctionne de la même façon.

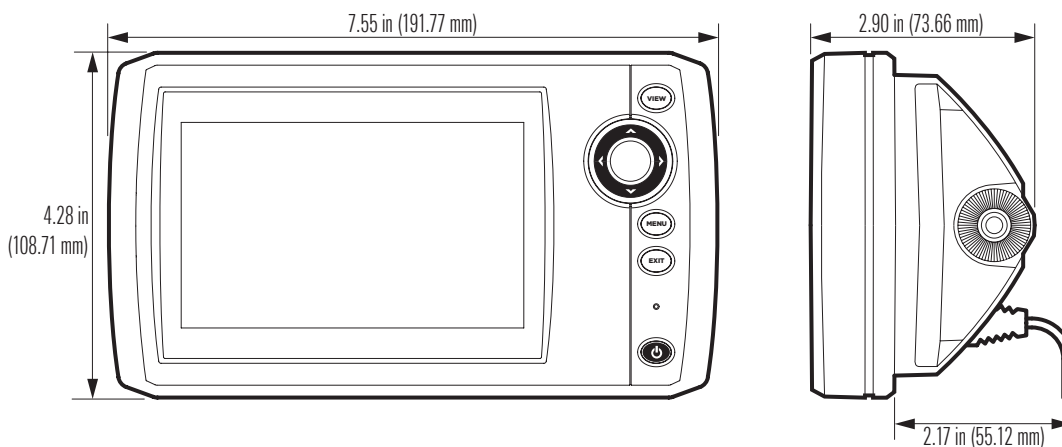
1. Préparation de l'emplacement de montage

Commencez par localiser un endroit plat sur le tableau de bord qui soit propice au montage. Tenez compte des facteurs suivants pour trouver le meilleur emplacement :

- **Interférences :** L'emplacement de montage doit se trouver à distance appropriée de tout équipement ou moteur électrique pouvant provoquer des interférences électroniques.
- **Stabilité :** La zone de montage doit être protégée des vagues, des chocs, des vibrations et de l'eau.
- **Profondeur :** La zone de montage doit avoir une profondeur d'au moins 7.62 cm (3 po) pour que l'espace soit suffisant pour la tête de commande et les câbles.
- **Ventilation :** La zone située sous la surface de montage doit être bien ventilée.
- **Accessibilité :** L'emplacement doit être aisément accessible pour que tous les câbles puissent atteindre les ports situés au dos de la tête de commande.

 **REMARQUE :** Si les câbles sont trop courts pour votre application, des rallonges sont disponibles. Pour obtenir de l'aide, communiquez avec le service d'assistance technique de Humminbird au humminbird.com ou appelez 1-800-633-1468.

Dimensions de montage au tableau de bord de la série HELIX 5



2. Percer le trou de montage du tableau de bord

Pour monter la tête de commande sur le tableau de bord, commencez par placer les composants sur les surfaces où vous envisagez de les installer.

1. Consultez les instructions, les mesures et les options de découpage indiquées sur le Gabarit de montage du tableau de bord.
2. Collez le gabarit sur l'emplacement de montage du tableau de bord choisi à l'aide d'un ruban adhésif.

Du Montage de Tableau de Bord de la Série HELIX® 5

532319-2_A

- En utilisant le gabarit, sélectionnez la méthode de découpage la mieux appropriée à votre bateau :
 - Percez un trou d'entrée à l'écart de la ligne de coupe principale, de telle sorte qu'il soit suffisamment grand pour que vous puissiez insérer la lame de votre outil de coupe.

OU

- Percez un trou d'angle à l'écart de la ligne de coupe principale en utilisant un foret capable de créer un trou aussi proche que possible d'un diamètre de 10,7 mm (0,42 po). Répétez l'opération pour les trois autres angles comme indiqué sur le gabarit. Utilisez l'un des trous d'angle comme un trou d'entrée, ou percez un trou d'entrée supplémentaire à l'écart de la ligne de coupe principale.
- Commencez par découper soigneusement en direction de la **ligne de coupe**, puis suivez l'intérieur de cette ligne tout autour du gabarit.
 - Vérifier le trou de montage** : Installez la tête de commande dans le trou de montage pour vérifier qu'elle s'insère correctement. Ajustez le trou de montage selon le besoin. Écartez le gabarit une fois la découpe terminée.
 - Nettoyez et ébavurez soigneusement le trou de montage.

3. Installation de la tête de commande

- Nettoyez les surfaces de contact** : Utilisez de l'alcool à friction pour nettoyer les bords du trou de montage du tableau de bord et le rebord arrière de la tête de commande où le joint d'étanchéité sera installé (voir l'illustration *Installation du joint d'étanchéité*). Laissez les zones nettoyées sécher complètement.
- Placez la tête de commande sur une serviette ou un chiffon, avec l'écran tourné vers le bas, sur une surface plane et stable.
- Décollez la garniture brune de la protection adhésive sur le joint d'étanchéité.
- Tenez les deux côtés du film en plastique fixé sur le joint d'étanchéité avec le côté adhésif tourné vers le bas (voir l'illustration *Installation du joint d'étanchéité*). Alignez soigneusement le joint d'étanchéité autour du rebord de la tête de commande, de sorte qu'il soit centré. Vérifiez qu'il n'y a aucun écart irrégulier.

⚠ MISE EN GARDE! Faites preuve de prudence lors de la manipulation du joint d'étanchéité. Ne laissez pas l'adhésif toucher les côtés ou l'arrière de la tête de commande pendant l'installation.

- Enfoncer légèrement un côté du joint d'étanchéité** dans le rebord plat de la tête de commande.
- Vérifiez que l'alignement n'a pas changé et que le joint d'étanchéité est centré autour de la tête de commande. Puis enfoncez légèrement les côtés restants du joint d'étanchéité. Effectuez les ajustements nécessaires.
- Décollez doucement le film en plastique du joint d'étanchéité.
- Insérez la tête de commande dans le trou de montage en commençant par le côté frontal du tableau de bord. **Appuyez fermement sur les côtés de la tête de commande pendant 20 secondes pour fixer l'adhésif.**

4. Acheminement et connexion des câbles

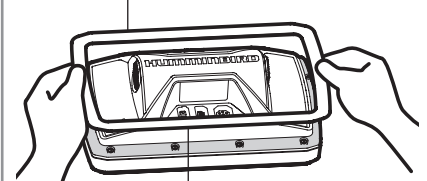
- Lisez les directives d'installation accompagnant chaque composant concernant l'alimentation électrique et les équipements facultatifs.
- Acheminez tous les câbles (alimentation, transducteur, accessoires) vers la tête de commande et insérez les connecteurs dans les ports corrects à l'arrière de la tête de commande (voir l'illustration *Branchement des câbles* et *Ports de tête de commande*).

⚠ MISE EN GARDE! Ne PAS monter les câbles dans un endroit où les connecteurs pourraient être submergés. Si les câbles sont installés dans une zone où des éclaboussures sont possibles, il est préférable d'appliquer de la graisse diélectrique sur l'intérieur des connecteurs pour éviter la corrosion. Il est possible d'acheter la graisse diélectrique séparément dans une quincaillerie ou dans un magasin d'équipement automobile.

La tête de commande est prête à fonctionner sur l'eau. Pour obtenir de plus amples renseignements, consultez le guide d'utilisation de la tête de commande.

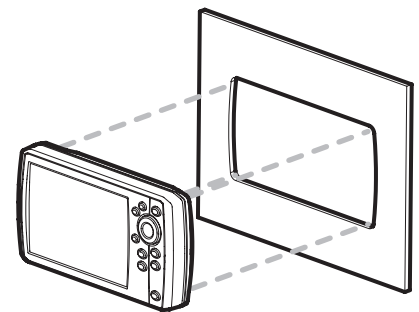
Installation du joint d'étanchéité

Vérifiez que le joint d'étanchéité est uniformément centré sur le bord de la tête de commande.

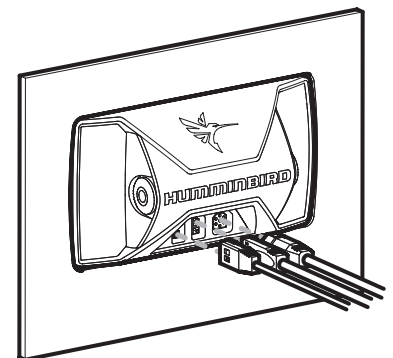


Installer le joint d'étanchéité le long du bord plat de la tête de commande (surligné en gris).

Installation de la tête de commande

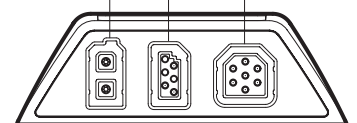


Branchement des câbles



Ports de tête de commande

COM
alimentation (communications) transducteur



Facultatif: utilisez un câble en Y pour connecter un transducteur et un accessoire de capteur de vitesse

Garantie restreinte d'un (1) an

Nous garantissons à l'acheteur au détail initial que les produits fabriqués par Humminbird sont exempts de défauts de matière et de fabrication. Cette garantie est en vigueur pour une durée d'un an à partir de la date de l'achat initial. Les produits de Humminbird qui sont effectivement défectueux et couverts par cette garantie seront réparés ou remplacés sans frais, à la discrétion de Humminbird, et renvoyés au client, fret payé à l'avance. La seule responsabilité de Humminbird relativement à cette garantie se limite à réparer ou à remplacer un produit jugé défectueux par Humminbird. Humminbird n'est pas responsable des frais reliés à la désinstallation d'un tel produit ni à la réinstallation de la pièce remplacée ou réparée ; ou les frais d'expédition à l'usine ou au centre de service autorisé (si à l'extérieur des États-Unis).

Cette garantie ne couvre pas un produit qui a été :

- Mal installé;
- Utilisés d'une manière contraire aux recommandations de la notice d'installation ou d'utilisation du produit, y compris les applications commerciales;
- Endommagé ou qui a cessé de fonctionner par suite d'un accident ou d'une utilisation anormale;
- Réparé ou modifié par une entité autre que Humminbird.

Veuillez conserver le reçu de caisse original comme preuve de la date d'achat. Il vous sera demandé pour toute réparation effectuée sous garantie.

CETTE GARANTIE EXPRESSE REMPLACE TOUTE AUTRE GARANTIE, OBLIGATION OU RESPONSABILITÉ DE LA PART DE HUMMINBIRD, ET CONSTITUE LE SEUL RECOURS DU CLIENT, EXCEPTION FAITE DE TOUTE GARANTIE APPLICABLE IMPLICITE EN VERTU D'UNE LOI PROVINCIALE (D'ÉTAT), LIMITÉE PAR LA PRÉSENTE À UNE DURÉE D'UN AN À PARTIR DE LA DATE D'ACHAT INITIALE. HUMMINBIRD NE POURRA EN AUCUN CAS ÊTRE TENUE RESPONSABLE DE TOUT DOMMAGE ACCESSOIRE OU CONSÉCUTIF À L'INOBSERVATION D'UNE GARANTIE EXPRESSE OU IMPLICITE RELATIVE AUX PRODUITS.

Certaines provinces ou certains États ne permettent ni l'imposition de restrictions sur les garanties implicites ni l'exclusion des dommages consécutifs ou indirects, alors ces restrictions ou exclusions pourraient ne pas vous concerner. Vous pourriez également bénéficier d'autres droits, qui varient d'une province (d'un État) à une (un) autre.

Politique de service après-vente de Humminbird

Même si vous n'aurez probablement jamais à utiliser notre politique rigoureuse de service après-vente, il est plaisant de savoir que nous soutenons nos produits avec tant de confiance. Nous agissons ainsi parce que nous croyons que vous méritez ce qu'il y a de mieux. Nous ferons tout en notre pouvoir pour réparer votre appareil en deçà de trois jours ouvrables, à partir de la date de réception de l'appareil à notre usine. Ce délai ne comprend pas la durée du transport jusqu'à notre usine, ni de notre usine jusqu'à vous. Les appareils reçus le vendredi sont habituellement retournés le mercredi suivant, les appareils reçus le lundi sont habituellement retournés le jeudi, et ainsi de suite.

Toutes les réparations sont effectuées en accord avec les spécifications rigoureuses de l'usine, par des techniciens formés en usine. Les appareils réparés en usine sont testés de la même façon et subissent les mêmes contrôles de qualité que les nouvelles unités en production.

À la fin de la période de garantie initiale, une évaluation des frais de service à tarif fixe régulier sera effectuée pour chaque appareil en réparation (dommages physiques et pièces manquantes non comprises). Toute réparation effectuée après la période de garantie initiale est garantie pendant 90 jours à partir de la date de la réparation par notre technicien en usine. Vous pouvez communiquer avec le support technique ou visitez notre site Web pour vérifier les frais de service à tarif fixe pour votre produit (voir la section de soutien technique sur les produits) :

<http://www.humminbird.com>

Nous nous réservons le droit de considérer un produit irréparable si les pièces de rechange sont discontinuées ou impossibles à obtenir. La politique de service après-vente n'est valide qu'aux États-Unis. Elle ne s'applique qu'aux produits Humminbird retournés à notre usine située à Eufaula, Alabama. La politique de service après-vente est modifiable sans préavis.

**CLIENTÈLE NATIONALE (ÉTATS-UNIS) :
NE PAS RENVOYER CET APPAREIL EN MAGASIN POUR LE FAIRE RÉPARER**

Pour toutes questions techniques, composez le **1-800-633-1468** ou consultez humminbird.com et cliquez sur **SUPPORT**.

Munissez-vous du numéro de série et du numéro de modèle de l'appareil avant d'appeler Humminbird.

Du Montage de Tableau de Bord de la Série HELIX® 5

532319-2_A

Comment renvoyer votre appareil pour réparation

Avant de renvoyer votre appareil pour réparation, veuillez communiquer avec l'usine, soit par téléphone ou par courrier électronique, afin d'obtenir un numéro d'autorisation de réparation pour votre appareil.



REMARQUE : Ne pas renvoyer cet appareil en magasin pour le faire réparer.

Assurez-vous d'avoir le nom de modèle et le numéro de série de votre produit avant d'appeler l'usine. Si vous communiquez avec l'usine par courrier électronique, veuillez inclure le nom de modèle et le numéro de série de votre produit dans le message et inscrire « Demande de numéro d'autorisation de réparation » dans le sujet du courriel. Par la suite, vous devriez toujours vous référer à ce numéro d'autorisation de réparation lors de communications subséquentes au sujet de votre appareil.

Veuillez suivre les étapes suivantes pour les réparations à effectuer SOUS GARANTIE :

- Obtenir un numéro d'autorisation de réparation de support technique Humminbird.
- Étiqueter le produit du nom, de l'adresse et du téléphone, ainsi que du numéro d'autorisation de réparation.
- Décrire brièvement le problème.
- Joindre une copie du reçu (comme preuve d'achat et de date d'achat).
- Renvoyer le produit, fret payé à l'avance, à Humminbird. Assurer l'expédition et demander une preuve de livraison.

Veuillez suivre les étapes suivantes pour les réparations d'appareils N'ÉTANT PLUS SOUS GARANTIE :

- Obtenir un numéro d'autorisation de réparation de support technique Humminbird.
- Joindre le paiement soit en incluant un numéro de carte de crédit avec date d'expiration, soit en joignant un mandat postal ou bancaire. Ne pas envoyer d'argent comptant.
- Étiqueter le produit du nom, de l'adresse et du téléphone, ainsi que du numéro d'autorisation de réparation.
- Décrire brièvement le problème.
- Renvoyer le produit, fret payé à l'avance, à Humminbird. Assurer l'expédition et demander une preuve.

Pour communiquer avec Humminbird

site Web : humminbird.com

Courrier électronique : service@humminbird.com

Téléphone : 1-800-633-1468

Adresse d'expédition directe : Humminbird
Service Department
678 Humminbird Lane
Eufaula, AL 36027 USA



AVERTISSEMENT! La réparation et le démontage de cet appareil électronique doivent être effectués uniquement par un personnel d'entretien autorisé. Toute modification du numéro de série ou réparation par un personnel non autorisé entraînera l'annulation de la garantie.



REMARQUE : Les caractéristiques et spécifications peuvent être modifiées sans préavis.

DÉCLARATION DE CONFORMITÉ AVEC L'ENVIRONNEMENT :

Johnson Outdoors Marine Electronics, Inc. entend agir en de façon responsable, et respecter la réglementation environnementales connues et applicables et la politique de bon voisinage des communautés où elle fabrique et vend ses produits.

DIRECTIVE DEEE : La directive EU 2002/96/CE sur les « déchets d'équipements électriques et électroniques (DEEE) » concerne la plupart des distributeurs, vendeurs et fabricants d'équipements électroniques grand public dans l'Union européenne. La directive DEEE requiert que le producteur d'équipements électroniques grand public prenne en charge la gestion des déchets de leurs produits et mettent en oeuvre leur élimination en respectant l'environnement, pendant le cycle de vie du produit.

Il est possible que la conformité à la directive DEEE ne soit pas requise sur le site pour les équipements électriques et électroniques (EEE), ou pour les équipements EEE conçus et destinés à des installations temporaires ou fixes sur les véhicules de transport tels que les automobiles, les aéronefs ou les bateaux. Dans certains pays membres de l'Union européenne, ces véhicules n'entrent pas dans le domaine d'application de la directive, et les EEE pour ces applications peuvent être considérés exclus de la conformité à la directive WEEE.



Ce symbole (poubelle DEEE) figurant sur le produit indique qu'il ne doit pas être mis au rebut avec les autres déchets ménagers. Il doit être éliminé et recueilli pour le recyclage et la récupération des équipements EEE à mettre au rebut. Johnson Outdoors Marine Electronics, Inc. marque tous les produits EEE conformément à la directive DEEE. Notre but est de respecter les directives sur la collecte, le traitement, la récupération et la mise au rebut de ces produits en respectant l'environnement ; ces exigences varient toutefois d'un état membre à l'autre de l'Union européenne. Pour obtenir d'autres renseignements sur les sites d'élimination des déchets d'équipements en vue de leur recyclage et de leur récupération et/ou sur les exigences des états membres de l'Union européenne, renseignez-vous auprès du distributeur ou du lieu d'achat de votre produit.