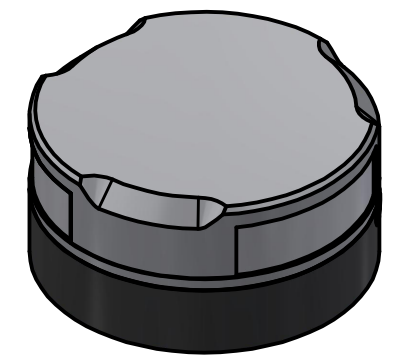
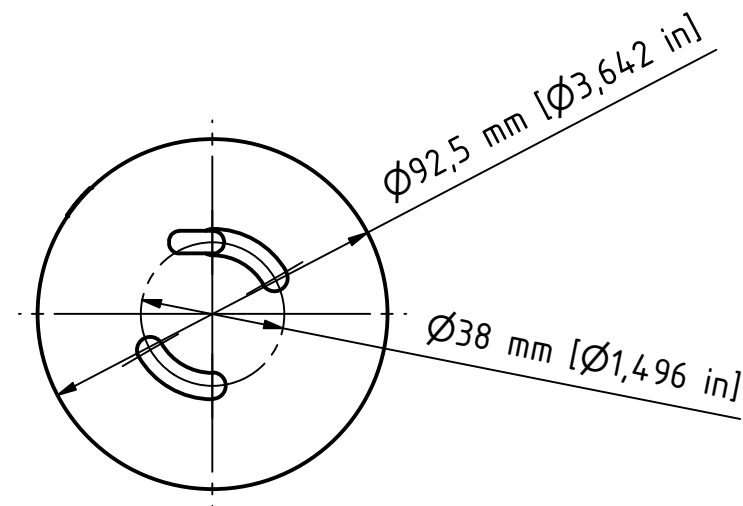
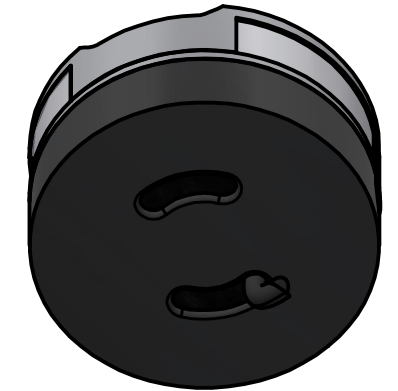
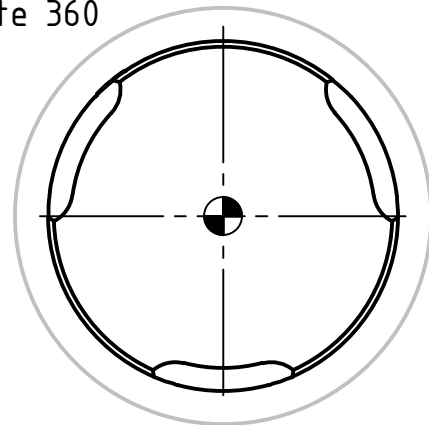


**Note:**

The PE Plastic base is intended for fitting on site and can be either drilled for mounting screws from above. 6mm screws with nuts and washers are recommended for secure mounting.



White 360



Estimated weight: 0,49 kg (1,08 lbs)

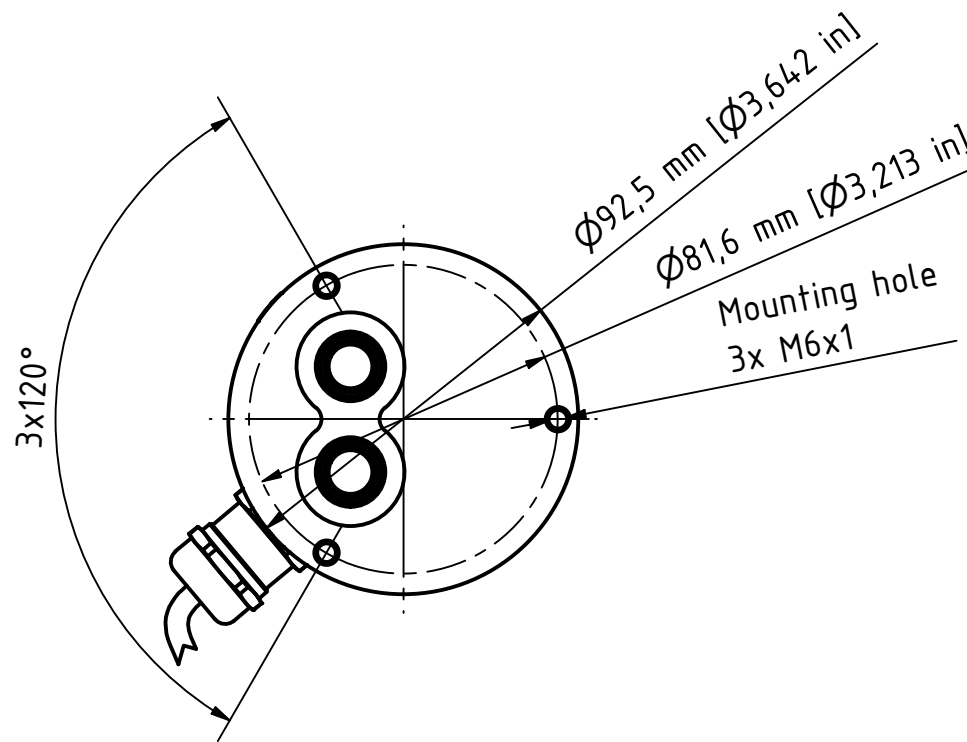
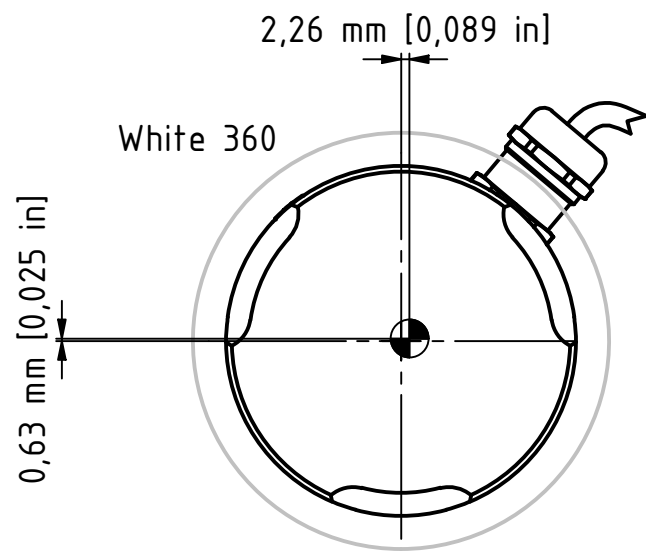
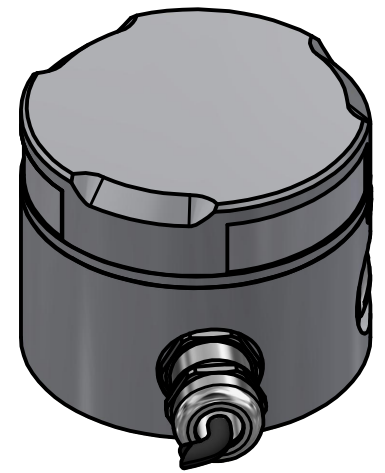
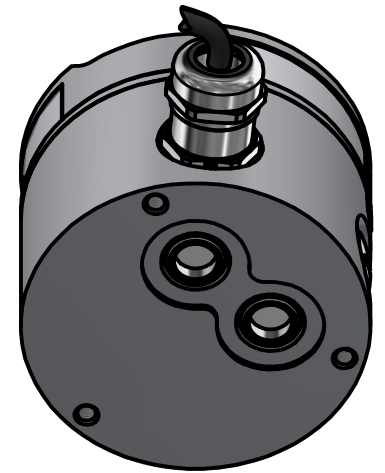
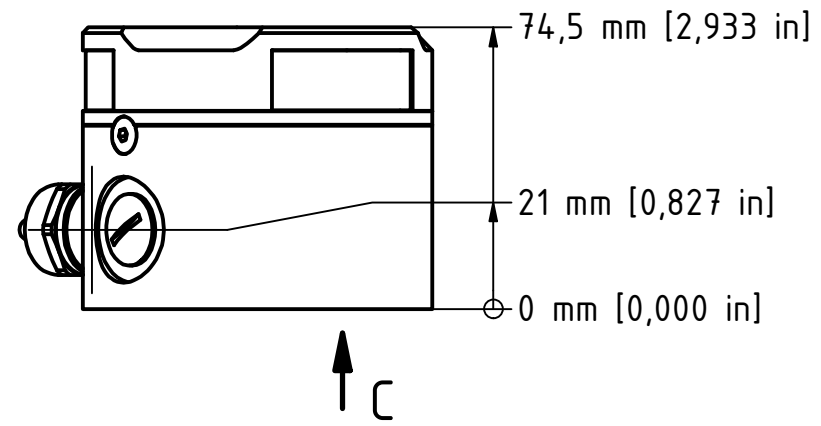
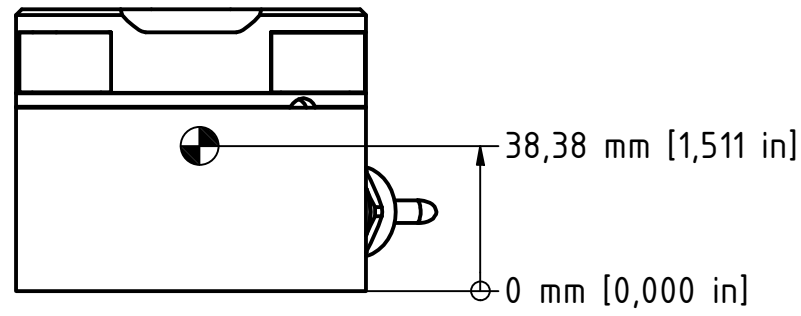
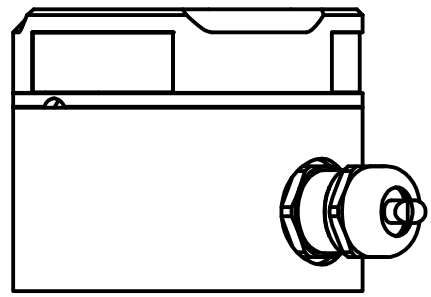
<b>TITLE:</b> 200-012G2 / 201-012 2nm 360° white, silver anodized On a 400-038 PE std base					
<b>DRAWING No.:</b> 200-012G2 / 201-012				<b>Sheet No.:</b> 1	<b>DRAWN BY:</b> LSA
<b>SCALE:</b> 1 : 2	<b>SIZE:</b> A3	<b>REV. NO.:</b>	<b>TOLERANCES:</b> DS/ISO 2768-f	<b>REVIEWED BY:</b>	<b>CREATION DATE:</b> 20-05-2021
<b>MATERIAL DESCRIPTION:</b> Alu. EN6082, Acrylic, PE					
<small>(25µ) Silver anodized according to EN ISO 7599          (50µ) Black anodized according to MIL-A 8625F</small>					
<small>This Drawing, and the information within, is the property of Lopolight ApS and may not be used in any form without express permission there from. Lopolight reserves the right to change this drawing and assumes no liability for the information communicated herein. Use of dimensions and other information in this drawing is at the users own risk.</small>					



Lopolight ApS  
 Bakkegaardsvej 513  
 DK-3050, Humlebaek  
 Denmark  
 www.lopolight.com

Tel: (+45) 32 48 50 30  
 info@lopolight.com





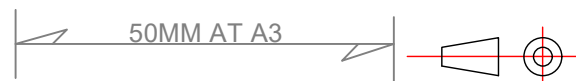
Estimated weight: 0,84 kg (1,86 lbs)

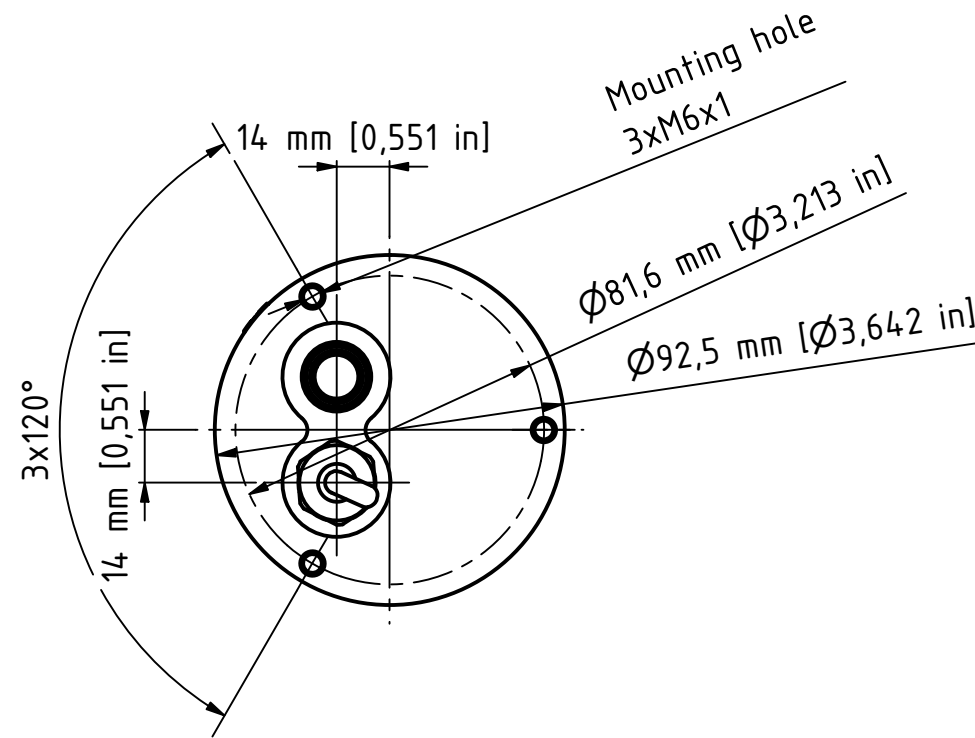
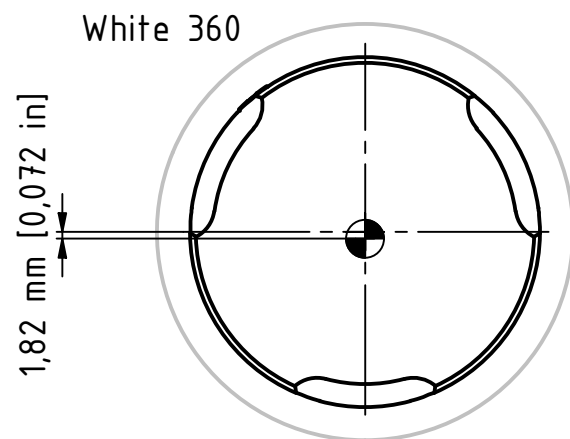
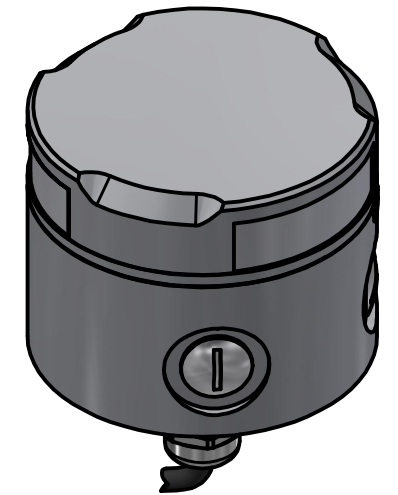
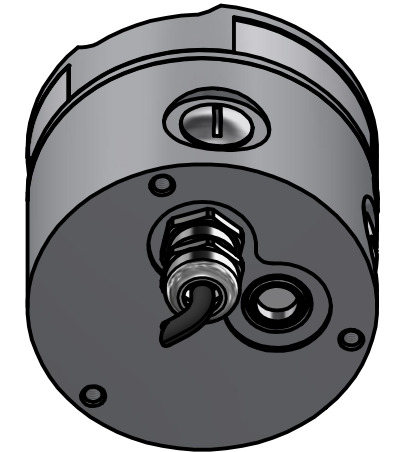
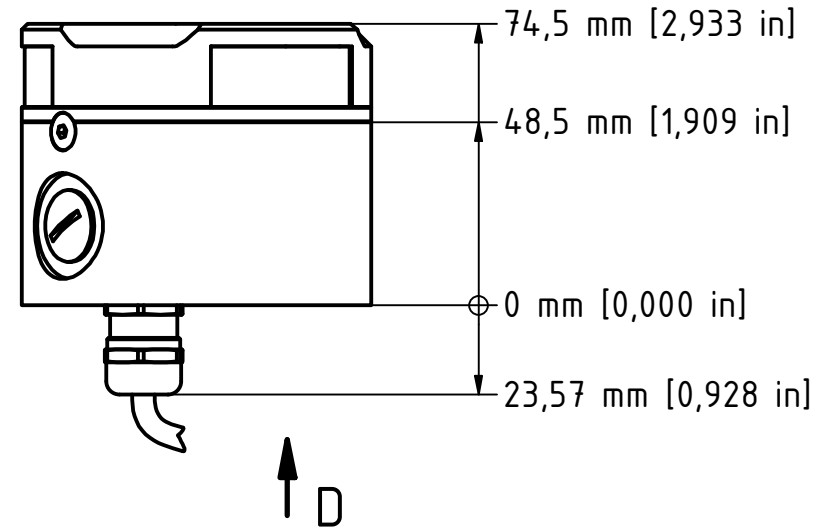
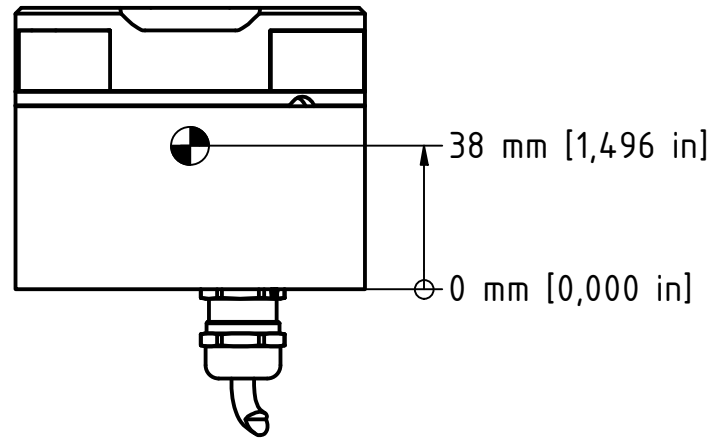
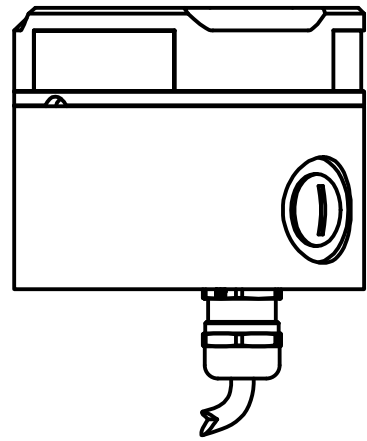
<b>TITLE:</b> 200-012G2 / 201-012 2nm 360° white, silver anodized On a 400-034 Promount base, Cable Side					
<b>DRAWING No.:</b> 200-012G2 / 201-012				<b>Sheet No.:</b> 2	<b>DRAWN BY:</b> LSA
<b>SCALE:</b> 1 : 2	<b>SIZE:</b> A3	<b>REV. NO.:</b>	<b>TOLERANCES:</b> DS/ISO 2768-f	<b>REVIEWED BY:</b>	<b>CREATION DATE:</b> 20-05-2021
<b>MATERIAL DESCRIPTION:</b> Alu. EN6082, Acrylic					
<small>(25µ) Silver anodized according to EN ISO 7599          (50µ) Black anodized according to MIL-A 8625F</small>					
<small>This Drawing, and the information within, is the property of Lopolight ApS and may not be used in any form without express permission there from. Lopolight reserves the right to change this drawing and assumes no liability for the information communicated herein. Use of dimensions and other information in this drawing is at the users own risk.</small>					



Lopolight ApS  
 Bakkegaardsvej 513  
 DK-3050, Humlebaek  
 Denmark  
 www.lopolight.com

Tel: (+45) 32 48 50 30  
 info@lopolight.com





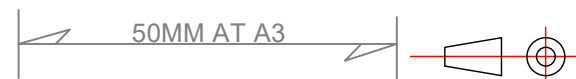
Estimated weight: 0,8 kg (1,77 lbs)

<b>TITLE:</b> 200-012G2 / 201-012 2nm 360° white, silver anodized On a 400-034 Promount base, Cable Down					
<b>DRAWING No.:</b> 200-012G2 / 201-012				<b>Sheet No.:</b> 3	<b>DRAWN BY:</b> LSA
<b>SCALE:</b> 1 : 2	<b>SIZE:</b> A3	<b>REV. NO.:</b>	<b>TOLERANCES:</b> DS/ISO 2768-f	<b>REVIEWED BY:</b>	<b>CREATION DATE:</b> 20-05-2021
<b>MATERIAL DESCRIPTION:</b> Alu. EN6082, Acrylic					
<small>(25µ) Silver anodized according to EN ISO 7599          (50µ) Black anodized according to MIL-A 8625F</small>					
<small>This Drawing, and the information within, is the property of Lopolight ApS and may not be used in any form without express permission there from. Lopolight reserves the right to change this drawing and assumes no liability for the information communicated herein. Use of dimensions and other information in this drawing is at the users own risk.</small>					



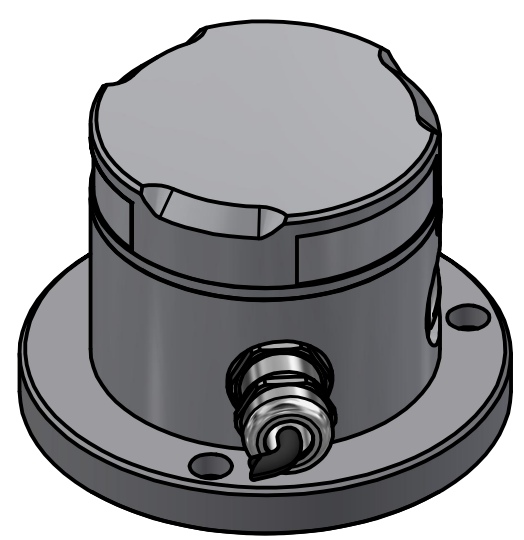
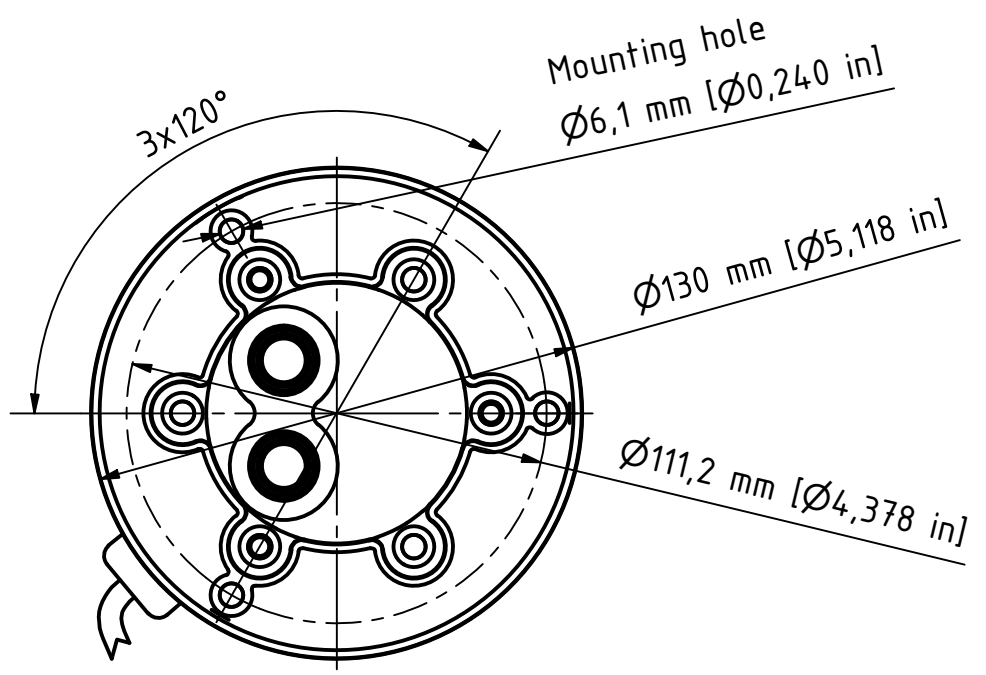
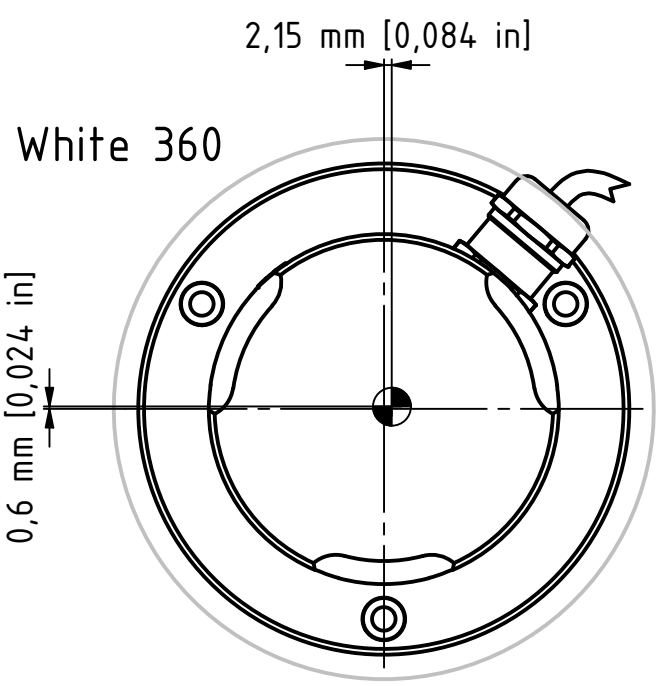
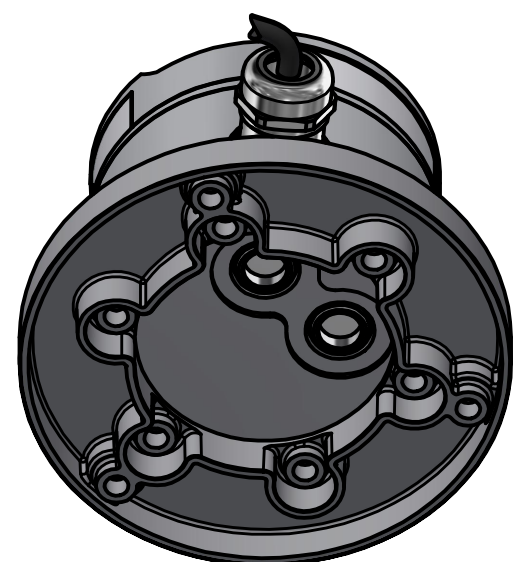
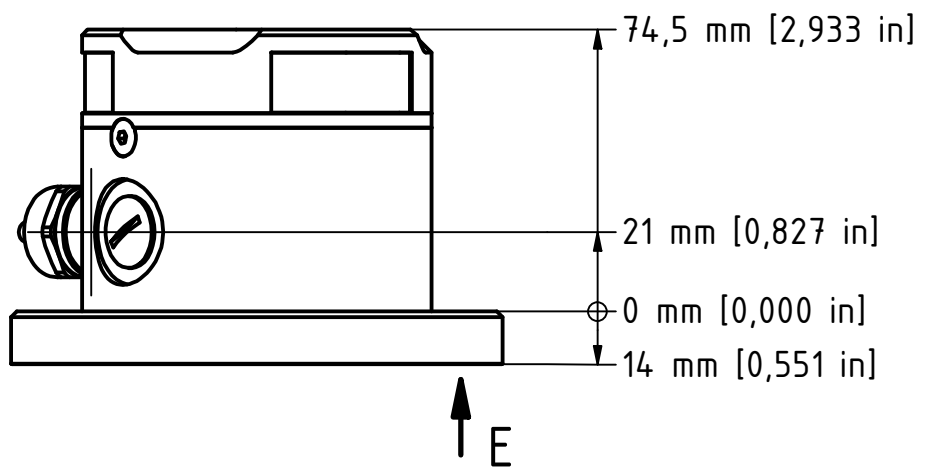
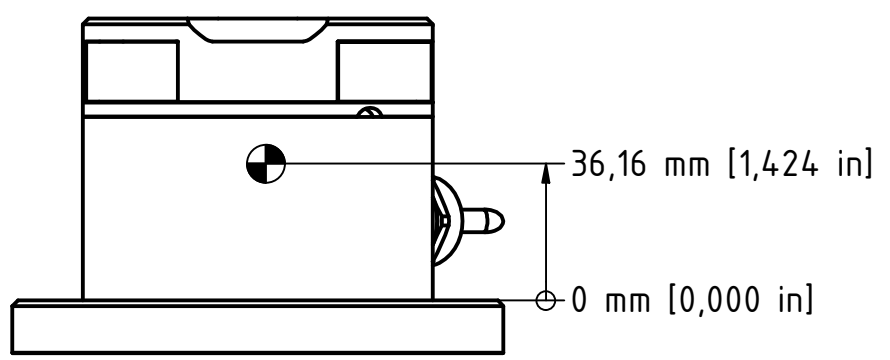
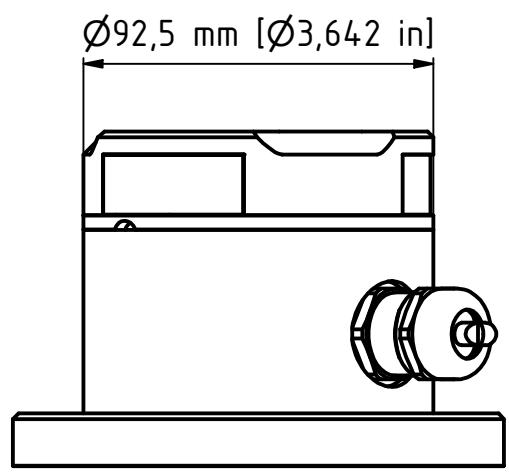
Lopolight ApS  
 Bakkegaardsvej 513  
 DK-3050, Humlebaek  
 Denmark  
 www.lopolight.com

Tel: (+45) 32 48 50 30  
 info@lopolight.com



A B C D E F G H I J

1 2 3 4 5 6 7 8

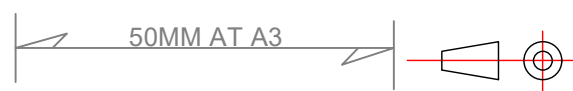


Estimated weight: 0,85 kg (1,87 lbs)

TITLE: 200-012G2 / 201-012 2nm 360° white, silver anodized On a 400-034 Promount base and 400-404 PE base plate, Cable Side					
DRAWING No.: 200-012G2 / 201-012			Sheet No.: 4	DRAWN BY: LSA	
SCALE: 1 : 2	SIZE: A3	REV. NO.:	TOLERANCES: DS/ISO 2768-f	REVIEWED BY:	CREATION DATE: 20-05-2021
MATERIAL DESCRIPTION: Alu. EN6082, Acrylic, PE					
<small>(25µ) Silver anodized according to EN ISO 7599 (50µ) Black anodized according to MIL-A 8625F</small>					

**LOPOLIGHT**  
Lopolight ApS  
Bakkegaardsvej 513  
DK-3050, Humlebaek  
Denmark  
www.lopolight.com

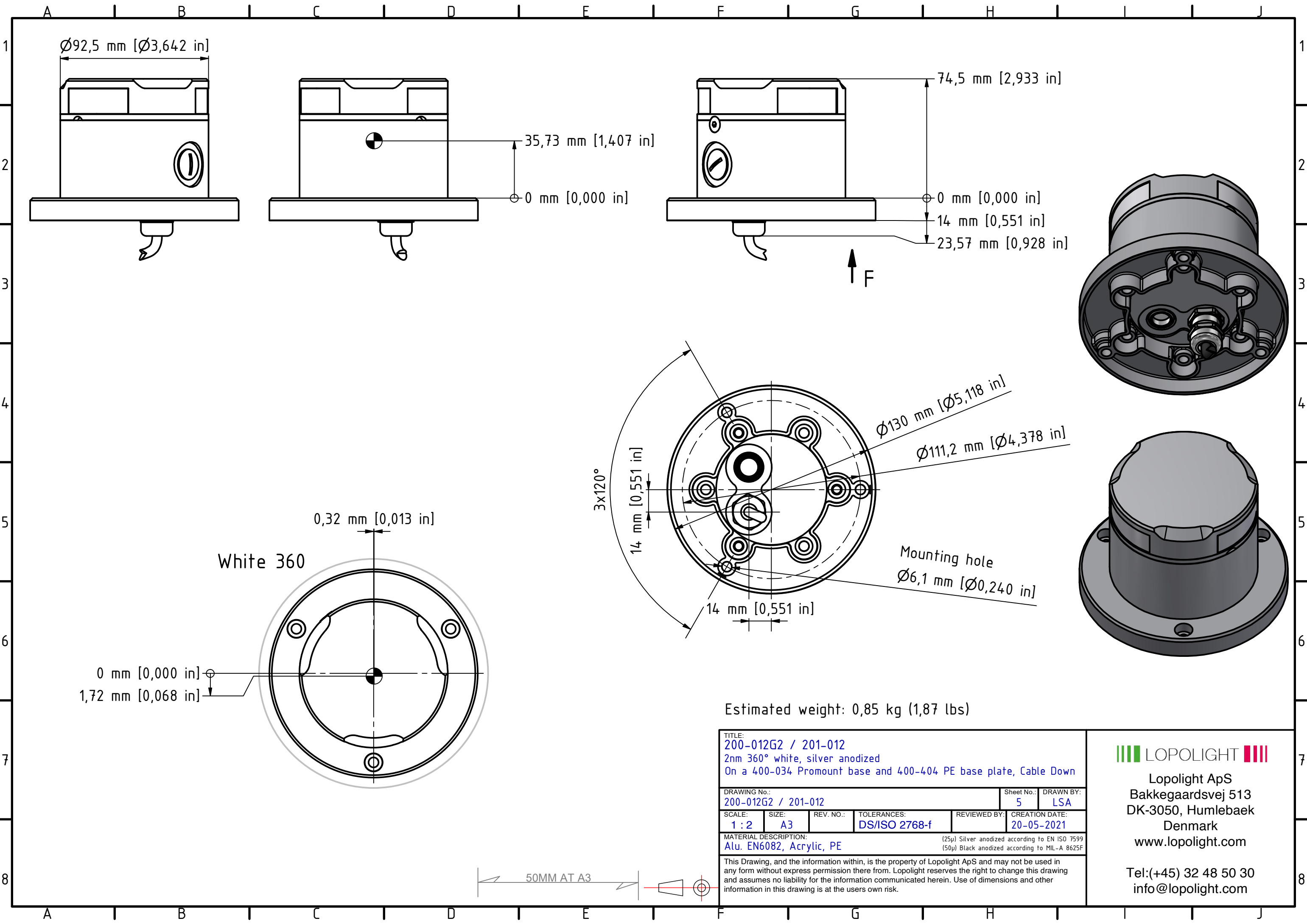
Tel: (+45) 32 48 50 30  
info@lopolight.com



This Drawing, and the information within, is the property of Lopolight ApS and may not be used in any form without express permission there from. Lopolight reserves the right to change this drawing and assumes no liability for the information communicated herein. Use of dimensions and other information in this drawing is at the users own risk.

A B C D E F G H I J

8



Ø92,5 mm [Ø3,642 in]

35,73 mm [1,407 in]

0 mm [0,000 in]

74,5 mm [2,933 in]

0 mm [0,000 in]

14 mm [0,551 in]

23,57 mm [0,928 in]

F ↑

White 360

0,32 mm [0,013 in]

0 mm [0,000 in]

1,72 mm [0,068 in]

3x120°

14 mm [0,551 in]

14 mm [0,551 in]

Ø130 mm [Ø5,118 in]

Ø111,2 mm [Ø4,378 in]

Mounting hole  
Ø6,1 mm [Ø0,240 in]

Estimated weight: 0,85 kg (1,87 lbs)

<b>TITLE:</b> 200-012G2 / 201-012 2nm 360° white, silver anodized On a 400-034 Promount base and 400-404 PE base plate, Cable Down					
<b>DRAWING No.:</b> 200-012G2 / 201-012			<b>Sheet No.:</b> 5	<b>DRAWN BY:</b> LSA	
<b>SCALE:</b> 1 : 2	<b>SIZE:</b> A3	<b>REV. NO.:</b>	<b>TOLERANCES:</b> DS/ISO 2768-f	<b>REVIEWED BY:</b>	<b>CREATION DATE:</b> 20-05-2021
<b>MATERIAL DESCRIPTION:</b> Alu. EN6082, Acrylic, PE					
<small>(25µ) Silver anodized according to EN ISO 7599          (50µ) Black anodized according to MIL-A 8625F</small>					

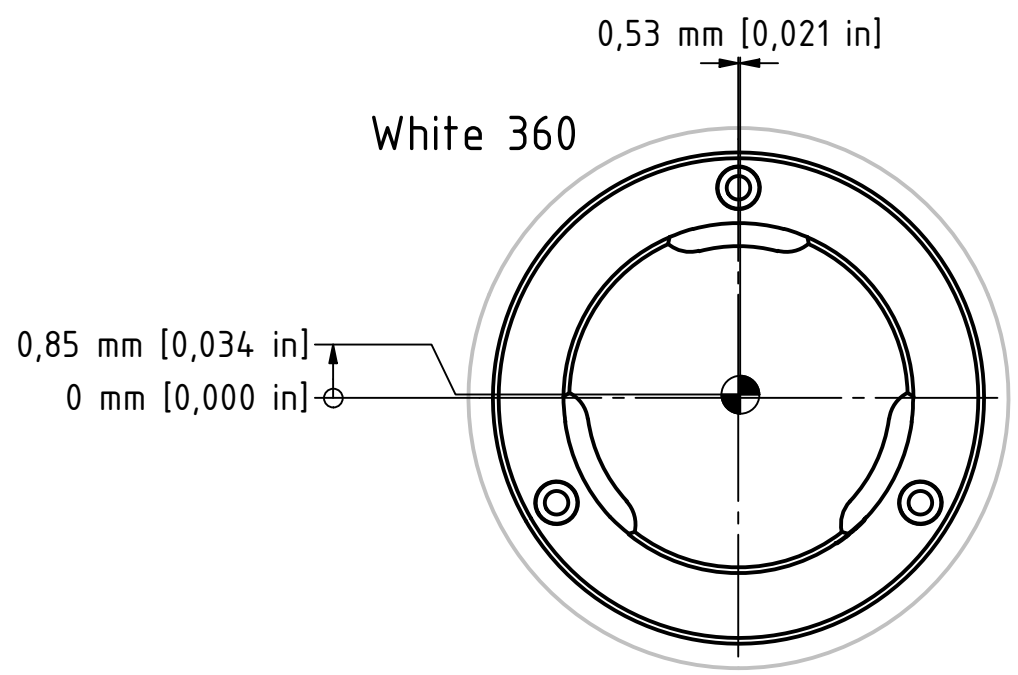
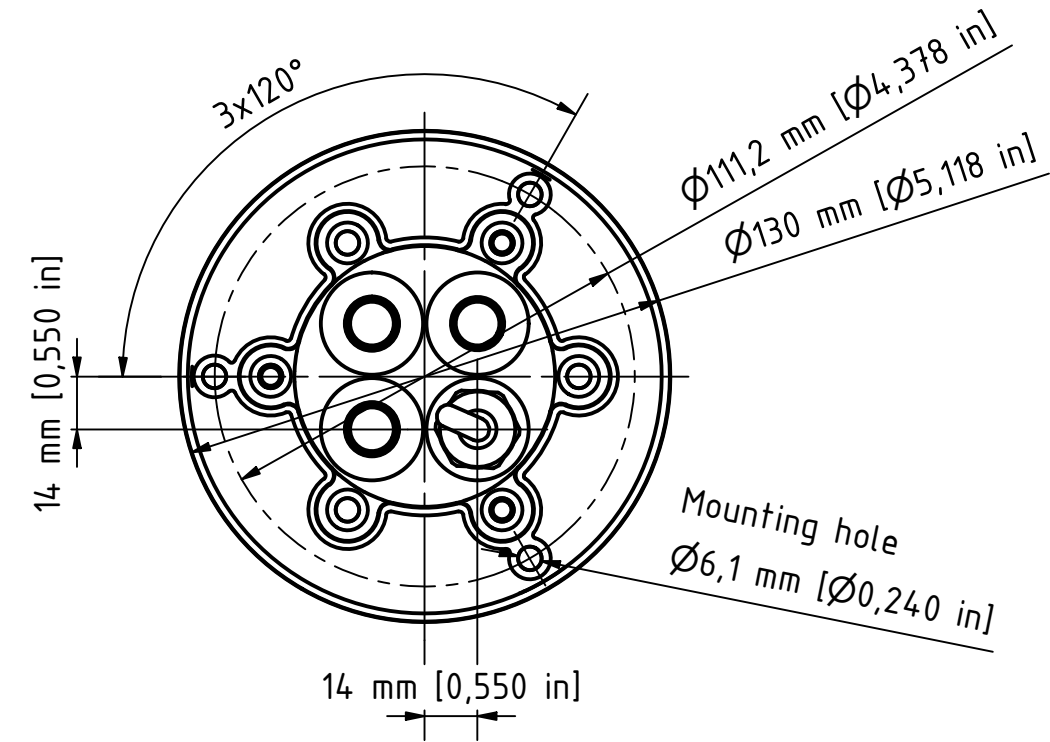
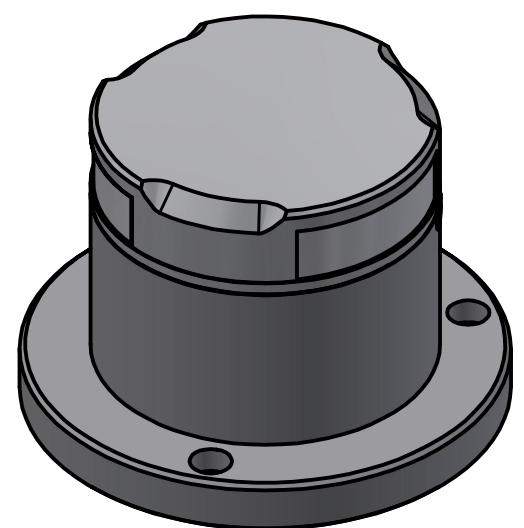
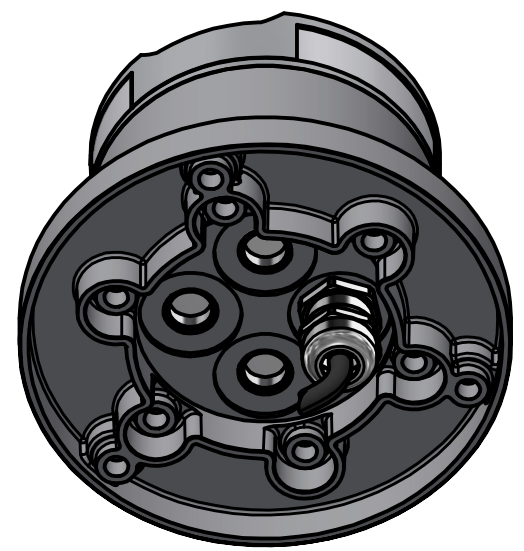
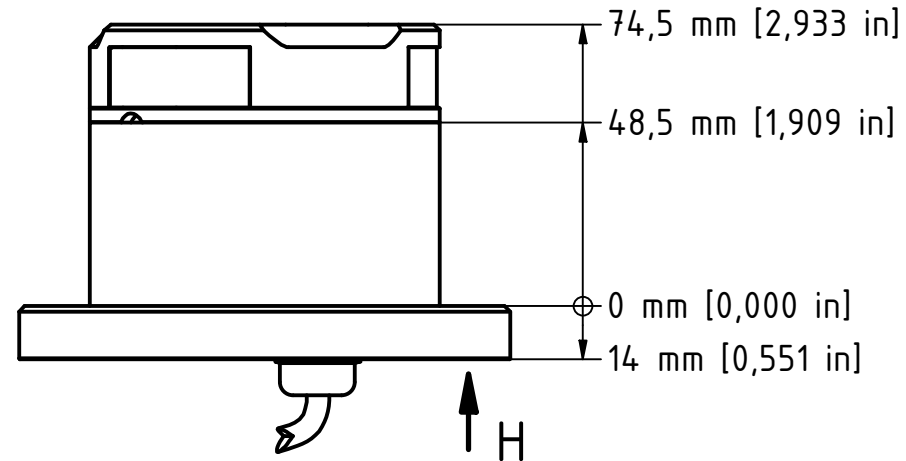
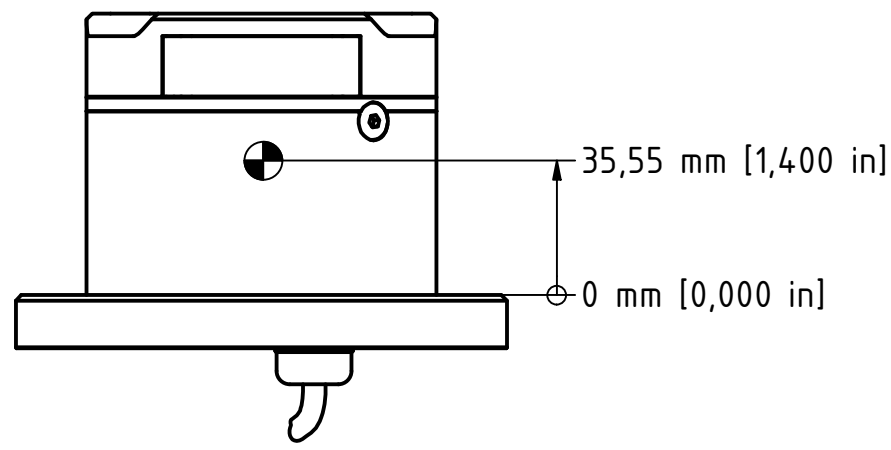
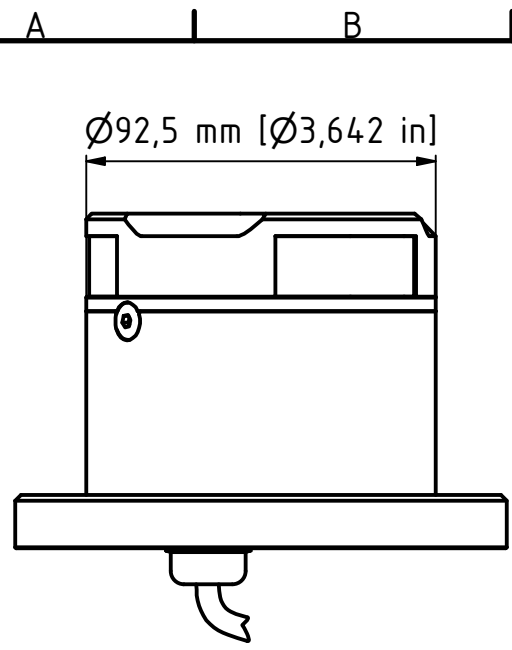
This Drawing, and the information within, is the property of Lopolight ApS and may not be used in any form without express permission there from. Lopolight reserves the right to change this drawing and assumes no liability for the information communicated herein. Use of dimensions and other information in this drawing is at the users own risk.



Lopolight ApS  
 Bakkegaardsvej 513  
 DK-3050, Humlebaek  
 Denmark  
 www.lopolight.com

Tel:(+45) 32 48 50 30  
 info@lopolight.com

50MM AT A3



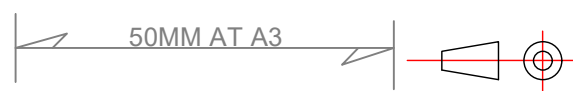
Estimated weight: 0,88 kg (1,93 lbs)

<b>TITLE:</b> 200-012G2 / 201-012 2nm 360° white, silver anodized On a 400-035 Promount base and 400-404 PE base plate , Cable Down					
<b>DRAWING No.:</b> 200-012G2 / 201-012			<b>Sheet No.:</b> 6	<b>DRAWN BY:</b> LSA	
<b>SCALE:</b> 1 : 2	<b>SIZE:</b> A3	<b>REV. NO.:</b>	<b>TOLERANCES:</b> DS/ISO 2768-f	<b>REVIEWED BY:</b>	<b>CREATION DATE:</b> 20-05-2021
<b>MATERIAL DESCRIPTION:</b> Alu. EN6082, Acrylic, PE					
<small>(25µ) Silver anodized according to EN ISO 7599          (50µ) Black anodized according to MIL-A 8625F</small>					

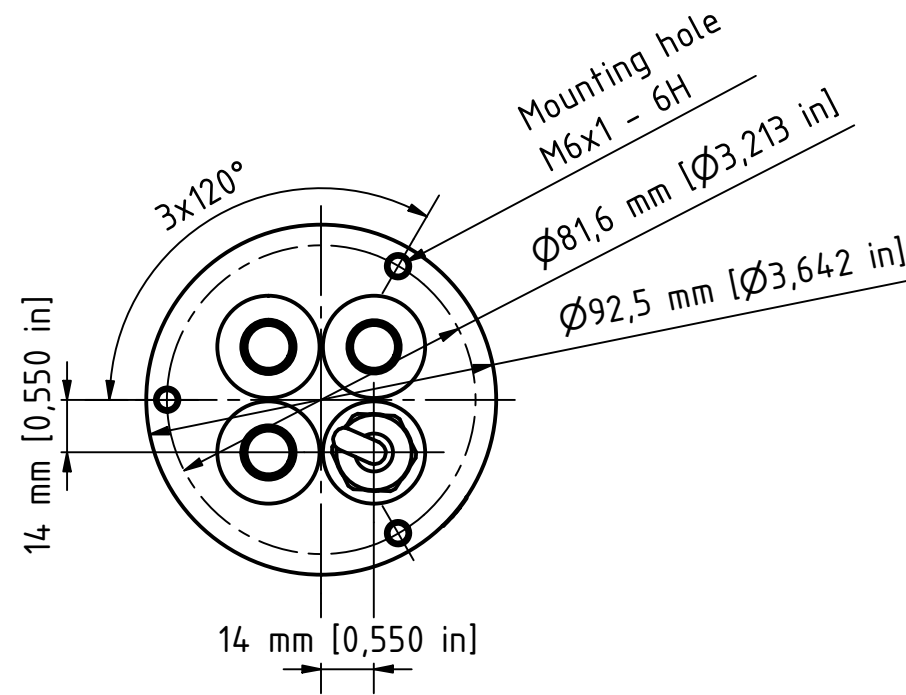
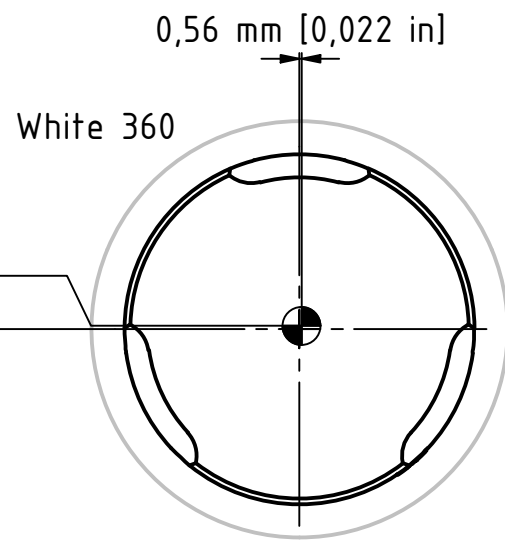
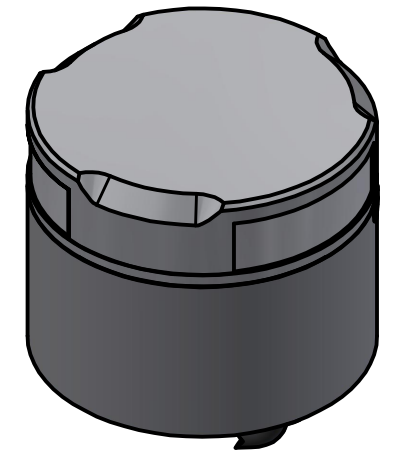
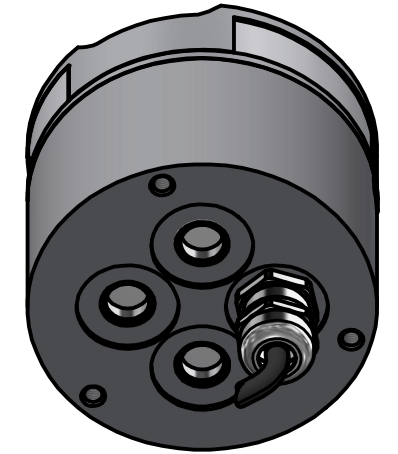
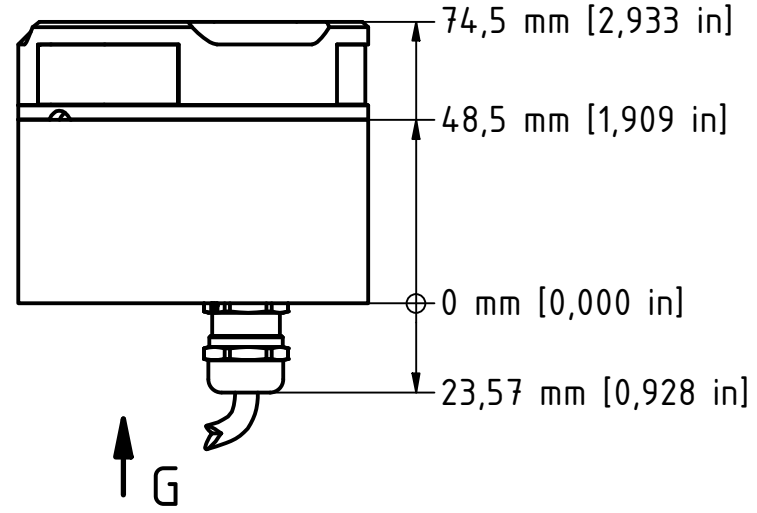
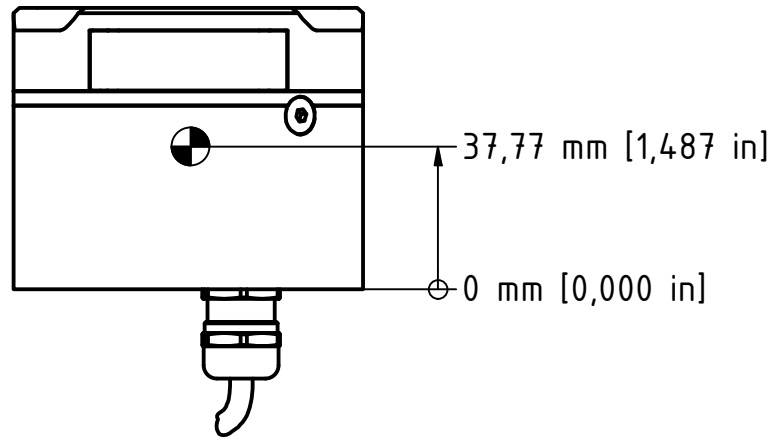
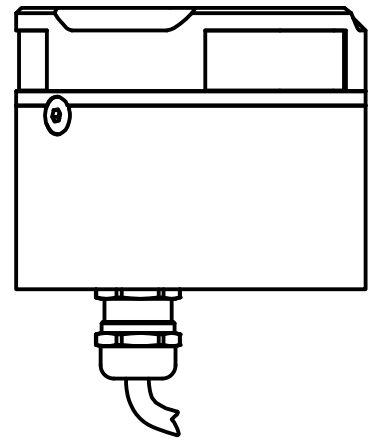
**LOPOLIGHT**

Lopolight ApS  
 Bakkegaardsvej 513  
 DK-3050, Humlebaek  
 Denmark  
 www.lopolight.com

Tel: (+45) 32 48 50 30  
 info@lopolight.com



This Drawing, and the information within, is the property of Lopolight ApS and may not be used in any form without express permission there from. Lopolight reserves the right to change this drawing and assumes no liability for the information communicated herein. Use of dimensions and other information in this drawing is at the users own risk.



Estimated weight: 0,83 kg (1,83 lbs)

<b>TITLE:</b> 200-012G2 / 201-012 2nm 360° white, silver anodized On a 400-035 Promount base, Cable Down					
<b>DRAWING No.:</b> 200-012G2 / 201-012				<b>Sheet No.:</b> 7	<b>DRAWN BY:</b> LSA
<b>SCALE:</b> 1 : 2	<b>SIZE:</b> A3	<b>REV. NO.:</b>	<b>TOLERANCES:</b> DS/ISO 2768-f	<b>REVIEWED BY:</b>	<b>CREATION DATE:</b> 20-05-2021
<b>MATERIAL DESCRIPTION:</b> Alu. EN6082, Acrylic					
<small>(25µ) Silver anodized according to EN ISO 7599          (50µ) Black anodized according to MIL-A 8625F</small>					

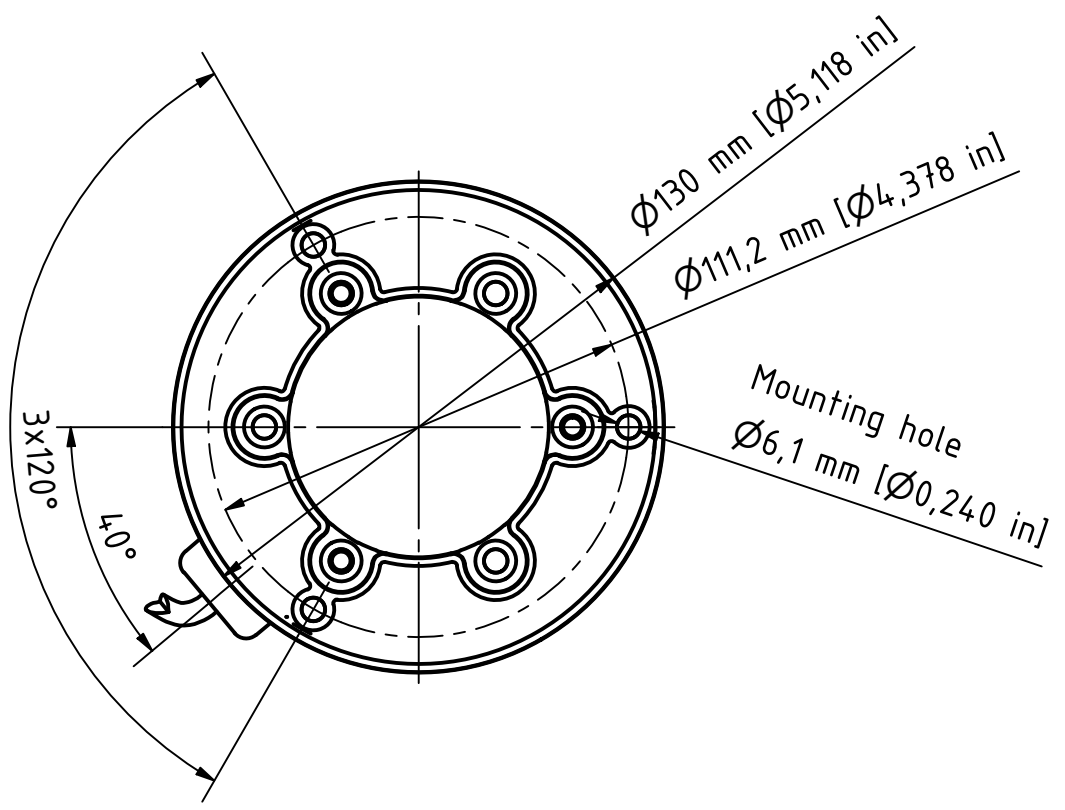
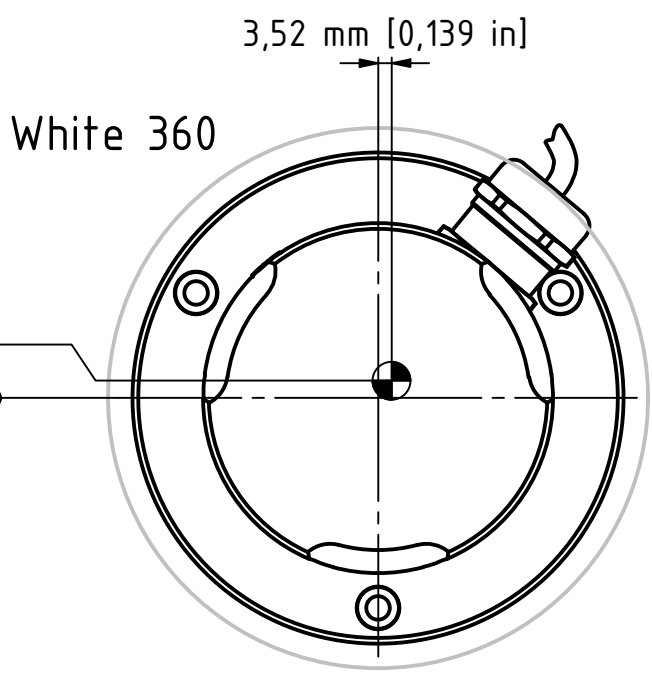
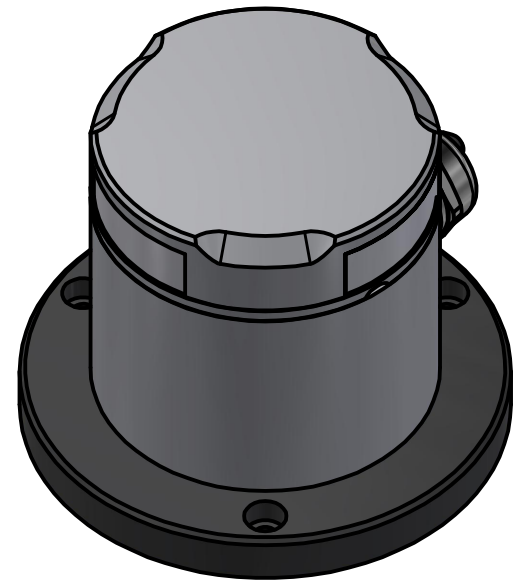
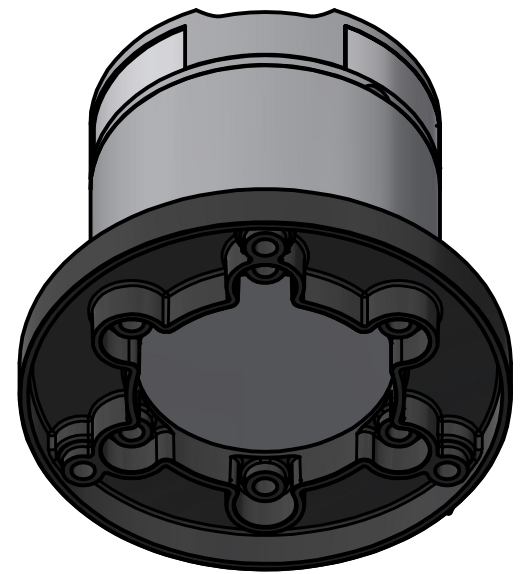
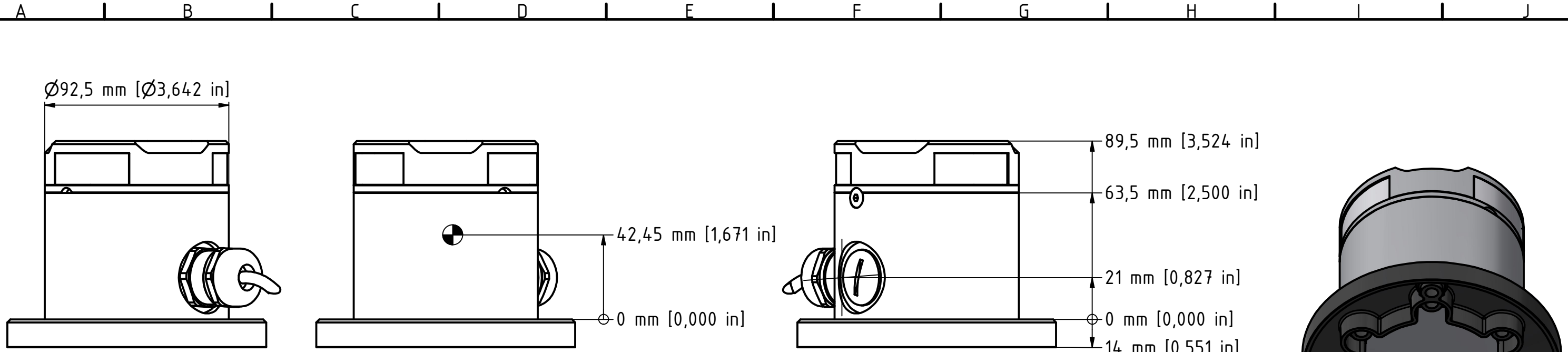


Lopolight ApS  
 Bakkegaardsvej 513  
 DK-3050, Humlebaek  
 Denmark  
 www.lopolight.com

Tel: (+45) 32 48 50 30  
 info@lopolight.com

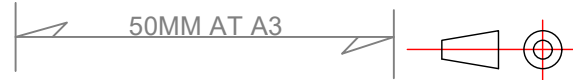


This Drawing, and the information within, is the property of Lopolight ApS and may not be used in any form without express permission there from. Lopolight reserves the right to change this drawing and assumes no liability for the information communicated herein. Use of dimensions and other information in this drawing is at the users own risk.

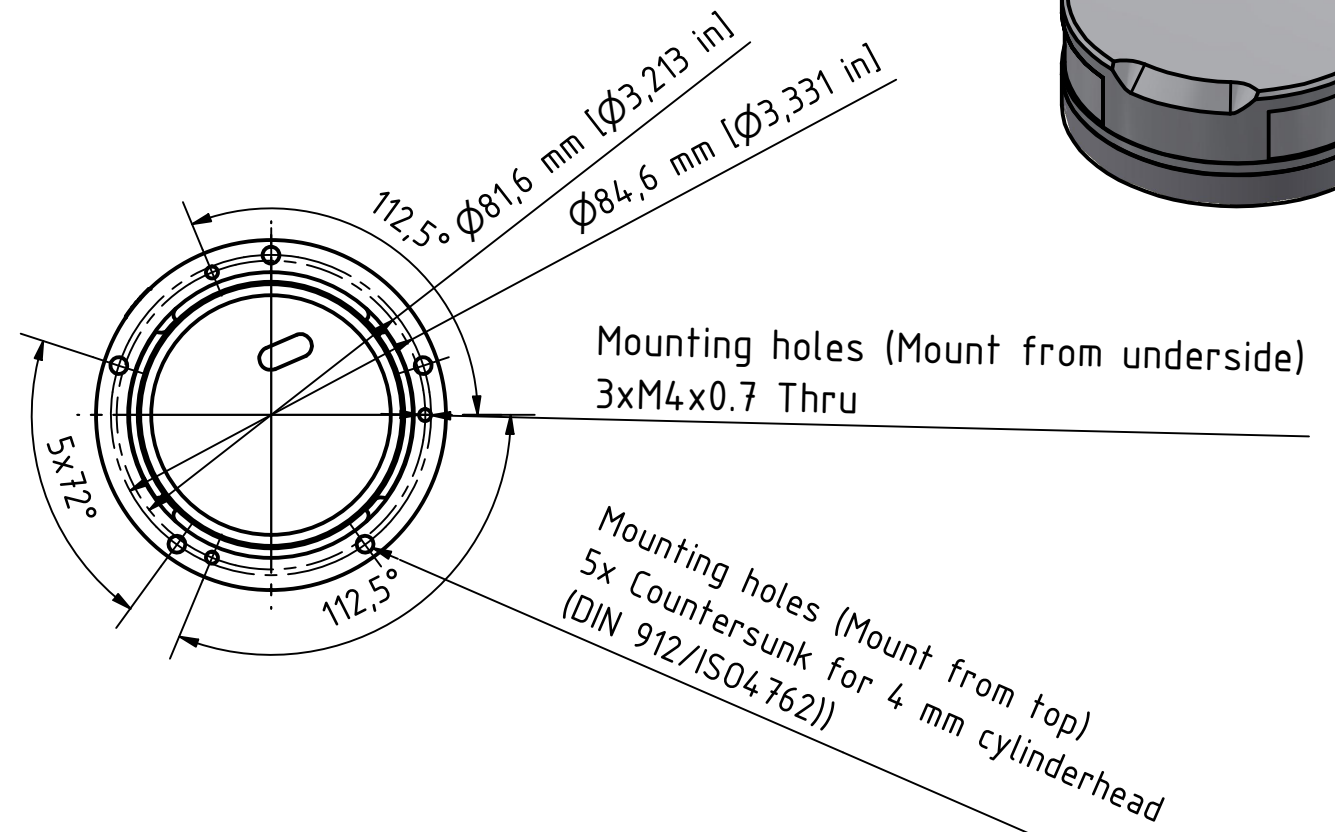
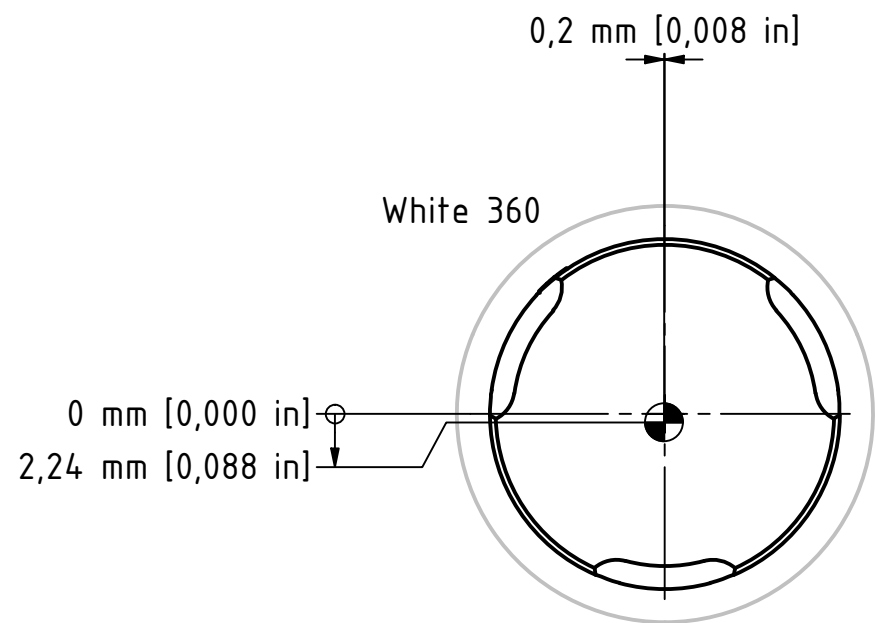
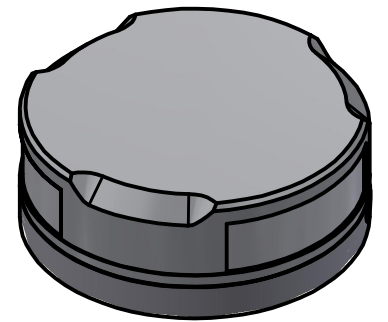
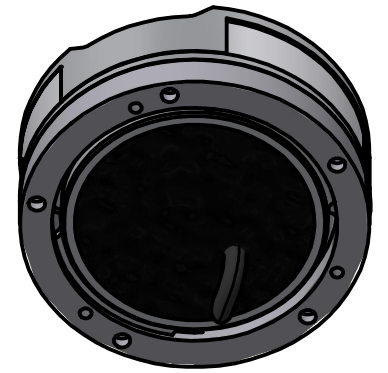
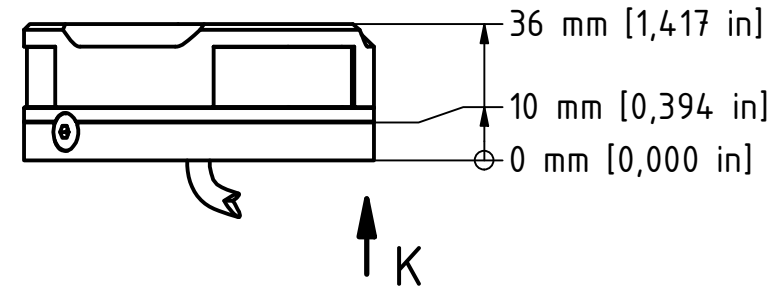
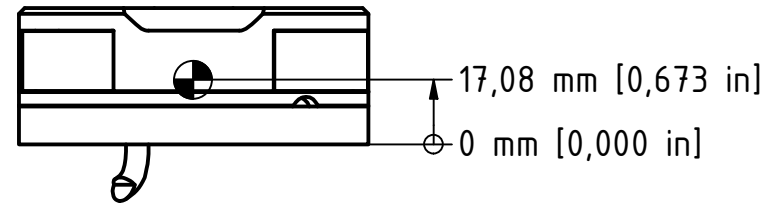
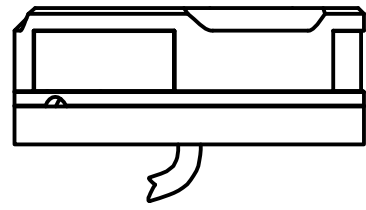


<b>TITLE:</b> 200-012G2 / 201-012 2nm 360° white, silver anodized On a 400-037 Promount base and 400-404 PE base plate , Cable Side					
<b>DRAWING No.:</b> 200-012G2 / 201-012			<b>Sheet No.:</b> 8	<b>DRAWN BY:</b> LSA	
<b>SCALE:</b> 1 : 2	<b>SIZE:</b> A3	<b>REV. NO.:</b>	<b>TOLERANCES:</b> DS/ISO 2768-f	<b>REVIEWED BY:</b>	<b>CREATION DATE:</b> 20-05-2021
<b>MATERIAL DESCRIPTION:</b> Alu. EN6082, Acrylic, PE					
<small>(25µ) Silver anodized according to EN ISO 7599          (50µ) Black anodized according to MIL-A 8625F</small>					
<small>This Drawing, and the information within, is the property of Lopolight ApS and may not be used in any form without express permission there from. Lopolight reserves the right to change this drawing and assumes no liability for the information communicated herein. Use of dimensions and other information in this drawing is at the users own risk.</small>					

  
 Lopolight ApS  
 Bakkegaardsvej 513  
 DK-3050, Humlebaek  
 Denmark  
[www.lopolight.com](http://www.lopolight.com)  
 Tel: (+45) 32 48 50 30  
[info@lopolight.com](mailto:info@lopolight.com)





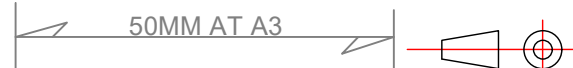


Estimated weight: 0,5 kg (1,1 lbs)

<b>TITLE:</b> 200-012G2 / 201-012 2nm 360° white, silver anodized On a 400-036 Ultra Low profile base					
<b>DRAWING No.:</b> 200-012G2 / 201-012				<b>Sheet No.:</b> 9	<b>DRAWN BY:</b> LSA
<b>SCALE:</b> 1 : 2	<b>SIZE:</b> A3	<b>REV. NO.:</b>	<b>TOLERANCES:</b> DS/ISO 2768-f	<b>REVIEWED BY:</b>	<b>CREATION DATE:</b> 20-05-2021
<b>MATERIAL DESCRIPTION:</b> Atu. EN6082, Acrylic					
<small>(25µ) Silver anodized according to EN ISO 7599          (50µ) Black anodized according to MIL-A 8625F</small>					


  
**Lopolight ApS**  
 Bakkegaardsvej 513  
 DK-3050, Humlebaek  
 Denmark  
[www.lopolight.com](http://www.lopolight.com)

Tel: (+45) 32 48 50 30  
[info@lopolight.com](mailto:info@lopolight.com)



This Drawing, and the information within, is the property of Lopolight ApS and may not be used in any form without express permission there from. Lopolight reserves the right to change this drawing and assumes no liability for the information communicated herein. Use of dimensions and other information in this drawing is at the users own risk.