



## TRANSOM TRANSDUCER Installation Guide

532508-4\_B

The transom mount installation allows adjustment of both running angle and depth after the transducer is mounted, which enables you to tune the installation for best results. It is important to read the instructions completely and understand the mounting guidelines before beginning this installation.

 **NOTE:** Due to the wide variety of hulls, only general instructions are presented in this guide. Each boat hull represents a unique set of requirements that should be evaluated prior to installation. For detailed information about installing transducers on different hull types, download the Transducer Installation Resource Guide from our Web site at [humminbird.com](http://humminbird.com).

 **NOTE:** Your transducer may not look exactly like the transducer shown in the illustrations, but it will mount in exactly the same way.

### INSTALLATION PREPARATION

Install the control head before you start the transducer installation. See the control head installation guide.

Review your boat manufacturer's owner's manual for recommended transducer installation locations and cable routing methods, as well as your transom and/or deadrise angle.

Read and understand your boat's warranty before starting this installation.

Visit our Web site at [humminbird.com](http://humminbird.com) for additional information and resources for transducer installations. Also, visit [youtube.com/humminbirdtv](http://youtube.com/humminbirdtv) for informational videos.

Confirm your boat is level for the installation.

Consider your speed requirements.

Traveling over 65 mph with the transducer in the water is not recommended with the transom mount transducer, as damage may occur. If speed above 65 mph is critical, see the FAQ [Frequently Asked Questions] section of our Web site at [humminbird.com](http://humminbird.com).

**Supplies:** In addition to the hardware supplied with your transducer, you will need a powered hand drill and various drill bits, various hand tools, including a ruler or straightedge, a level, marker or pencil, Phillips-head screwdriver, flat head screw driver, a socket/nut driver, a 1/2" [13 mm] wrench and torque wrench, safety glasses and dust mask, marine-grade silicone sealant, and dielectric grease [optional]. You may also need extension cables and hardware for routing the cable to the control head.

### INSTALLATION OVERVIEW

**New Installation:** Review *Turbulence-Free Mounting Guidelines* and proceed to section 1. **Mount the Transom Bracket to the Boat.**

**Previously-installed Transducer:** If you have a previously-installed XHS transducer on the transom, the bracket in this installation kit can be installed in the same location using the following instructions:

1. Line up the metal bracket with the previously-used mounting holes to confirm that the two slot holes match the previous installation. Fill any unused holes with marine-grade silicone sealant.

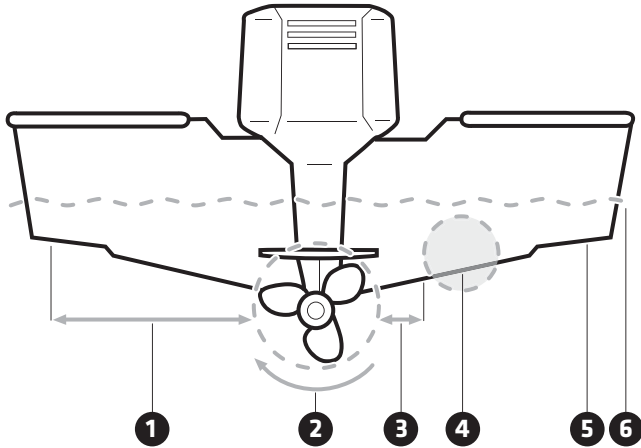
## TRANSOM TRANSDUCER Installation Guide

532508-4\_B


2. Make sure the boat is level on the trailer (from port to starboard and from bow to stern).
3. Proceed to section **2. Install the Transducer.**

### TURBULENCE-FREE MOUNTING GUIDELINES

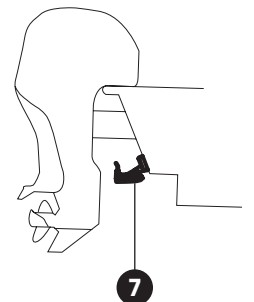
It is very important to locate the transducer in an area that is relatively free of turbulent water. Consider the following to find the best location with the least amount of turbulence:



- 1** **Avoid areas where there is turbulent water flow.** Turbulent water is normally confined to areas immediately aft of ribs, strakes, or rivets on the bottom of the boat, and in the immediate area of the propeller[s]. The best way to locate turbulence-free water is to view the transom while the boat is moving.
- 2** **Observe your propeller's direction of rotation** (in forward, as you're facing the stern of the boat from behind). Clockwise propellers create more turbulence on the port side. Counterclockwise propellers create more on the starboard side.
- 3** **Ensure there is adequate distance from the propeller[s].** On outboard or inboard/outboard boats, it is best to locate the transducer at least 15" (38.1 cm) to the side of the propeller[s].
- 4** **The ideal mounting location [right of the propeller[s]].** It is important to note that if you plan to trailer your boat, do not mount the transducer too close to trailer bunks or rollers to avoid moving or damaging the transducer during loading and unloading of the boat.
- 5** **For boats with stepped hulls,** it may be possible to mount the transducer on the step. Do not mount the transducer on the transom behind a step to avoid popping the transducer out of the water at higher speeds.
- 6** **The transducer must be mounted so that it is parallel with the waterline, but fully submerged in the water during operation.**
- 7** **If you have a Side Imaging® transducer,** the transducer must NOT have anything obstructing the 'view' of the side looking beams. For example, nothing can be in the line of sight of these beams [not a hull, motor, or other transducer, etc.]

 **NOTE:** You may need to tilt the motor up and out of the way when using the side looking beams.

**Deadrise:** The hydrodynamic shape of your transducer allows the sonar beams to point down without deadrise adjustment.



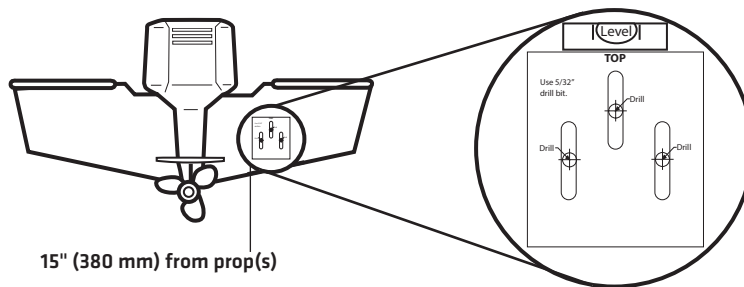
**Unobstructed View:** This jack plate installation gives the transducer safe distance from the motor and turbulence. The Side Imaging has a clear view side-to-side.

## 1 | Mount the Transom Bracket to the Boat

1. Confirm the boat is level on the trailer (both from port to starboard and from bow to stern).
2. Hold the mounting bracket against the transom of the boat in the location you have selected. Align the bracket horizontally, using the level. Make sure that the lower corner of the bracket does not protrude past the bottom of the hull.

If your propeller moves **clockwise** as the boat moves forward (as you're facing the stern of the boat from behind), mount the transducer on the starboard side. If your propeller moves **counterclockwise** as the boat moves forward (as you're facing the stern of the boat from behind), mount the transducer on the port side.

### Using the Mounting Bracket to Mark the Drill Holes



15" (380 mm) from prop(s)

3. Continue to hold the bracket on the transom of the boat, and use a pencil or marker to mark where to drill the three mounting holes. Mark the drill holes near the top of each slot, making sure that your mark is centered in the slot.
4. Make sure the drill bit is perpendicular to the actual surface of the transom, NOT parallel to the ground, before you drill.

Using a 5/32" [4.0 mm] bit, drill the three holes to a depth of approximately 1" [25 mm].

**NOTE:** On fiberglass hulls, it is best to use progressively larger drill bits to reduce the chance of chipping or flaking the outer coating.

5. Use a marine-grade silicone sealant to fill the drilled holes.
6. Align the transom bracket with the mounting holes. The center slot should be above the two outer slots. Confirm the bracket is level.
7. Using a hand socket/nut driver, install the three #10-1" [25 mm] screws into the drilled holes, but **do not tighten completely**.

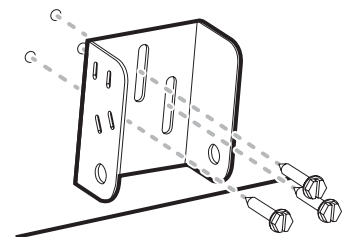
**NOTE:** Make sure the mounting screws are snug, but do not fully tighten the mounting screws at this time to allow the transducer assembly to slide for adjustment purposes.

## 2 | Install the Transducer

The transom bracket allows you to adjust the height, and the pivot bolts allow you to adjust the angle of the transducer. These adjustments help reduce cavitation and air bubbles around the transducer during operation.

1. Align the transducer bracket with the holes on top of the transducer.
2. Use a Phillips-head screwdriver to install a 7/16" [11 mm] screw and #8 split ring lock washer into each bracket hole (6 holes total). Hand tighten each screw until each split ring lock washer flattens. **Hand tighten only.**
3. Align the holes on the transducer bracket with the holes on the transom bracket.

### Attaching the Bracket to the Transom

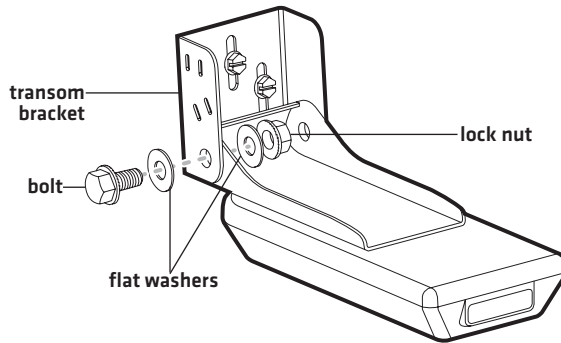


## TRANSOM TRANSDUCER Installation Guide

532508-4\_B

- Install the pivot bolt, 2 washers, and lock nut into the first hole as shown in the illustration *Installing the Transducer Bracket*. Repeat for the second hole.
- Use a 1/2" [13 mm] wrench to tighten the assembly, but do not fully tighten the hardware at this time [so you can make adjustments if needed after testing the installation].

### Installing the Transducer Bracket



### 3 | Confirm the Mounting Angle

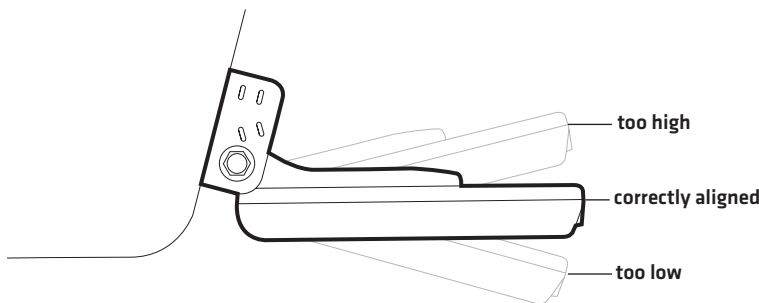
You will need to adjust the initial angle of the transducer both vertically and horizontally to confirm the transducer mounting angle.

- Confirm the height of the transducer is high enough on the transom so it is out of the jet stream when the boat is on plane and that it will be submerged in the water during trolling speeds.

**To adjust the height**, loosen the screws slightly in the transom bracket, and slide the bracket up or down using the slots. If you cannot access the screws, you may need to uninstall the transducer, adjust the height, and repeat the installation instructions in sections 1 and 2.

- Adjust the angle of the transducer**, so it is parallel with the length of the boat hull, with a slight down angle [approximately 5 degrees].

### Adjusting the Transducer Running Angle



- Hand tighten the two pivot bolts, using a 1/2" [13 mm] wrench.



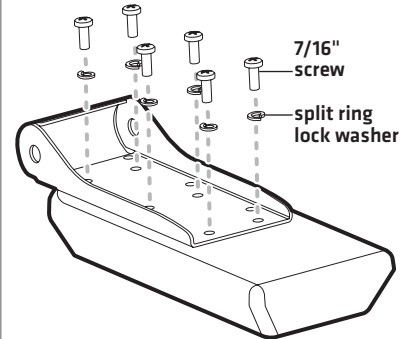
**NOTE:** You will finalize the installation after you route the cable and test the installation in the following procedures.

### 4 | Route the Cable

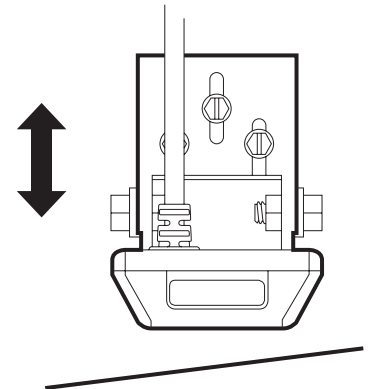
You can route the cable **over the transom** or **through a hole in the transom above the waterline**. Your boat may have a pre-existing wiring channel or conduit that you can use to route the cable. Select the routing method that is best for your boat configuration, and purchase any extension cables, cable clips, clamps, etc. as needed.

- It is best to route the cable to the side of the transducer so the transducer will not damage the cable during movement.

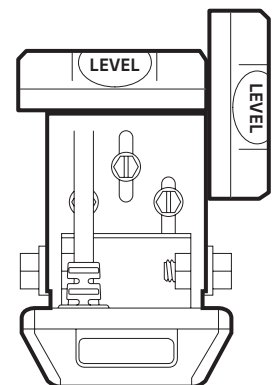
### Attaching the Transducer Bracket



### Adjusting the Height



### Leveling the Bracket



## TRANSOM TRANSDUCER Installation Guide

532508-4\_B

- The transducer can pivot up to 90 degrees in the bracket. Allow enough slack in the cable for this movement.
- If you drill any holes, fill them with marine-grade silicone sealant.
- **Excess Cable:** If there is excess cable that needs to be gathered at one location, dress the cable routed from both directions so that a single loop is left extending from the storage location. Doubling the cable up from this point, form the cable into a coil. Storing excess cable using this method can reduce electronic interference.

**⚠ CAUTION!** Do not cut or shorten the transducer cable, and try not to damage the cable insulation. Route the cable as far as possible from any VHF radio antenna cables or tachometer cables to reduce the possibility of interference. If the cable is too short, extension cables are available to extend the transducer cable up to a total of 50'. For assistance, contact Humminbird® Technical Support.

**⚠ CAUTION!** Do NOT mount the cables where the connectors could be submerged in water or flooded. If cables are installed in a splash-prone area, it may be helpful to apply dielectric grease to the inside of the connectors to prevent corrosion. Dielectric grease can be purchased separately from a general hardware or automotive store.

### 5 | Connect the Cable

1. Connect the transducer cable to the transducer port on the control head or cable connector (if applicable).

The connector is keyed to prevent reversed installation, and insertion should be easy. Do not force the connectors into the ports.

If the cable connector is round, hand-tighten the screw nut to secure the cable connection. **Hand-tighten only!**

Refer to your control head installation guide for additional details.

### 6 | Test and Finish the Installation

Once you have installed the control head, the transducer, and have routed all the cables, you must perform a final test before locking the transducer in place.

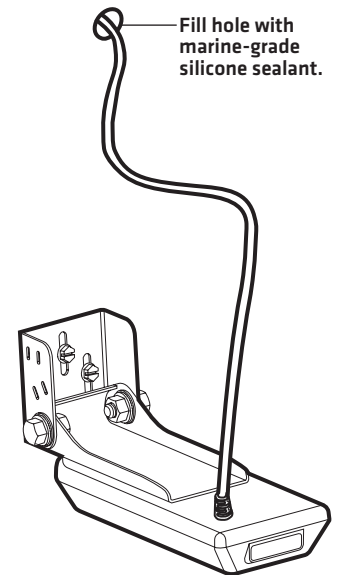
Testing should be performed with the boat in water deeper than 2 feet. The transducer should be fully submerged because the sonar signal cannot pass through air.

**⚠ WARNING!** The transducer must be fully submerged in water during operation because the sonar signal cannot pass through air. Air pinging can damage the transducer.

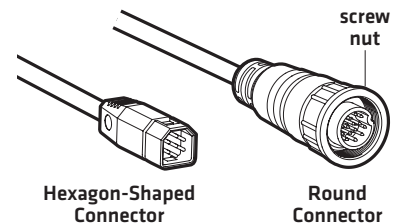
#### Test the Transducer Installation on the Control Head

1. Press the POWER key to turn on the control head.  
If the transducer is detected, the control head will start Normal mode.
2. Select a Sonar View to display on-screen.  
**HELIX®:** Press and hold the VIEW key. Select Sonar > Sonar View.  
**APEX™/SOLIX®:** Press the HOME key. Select a 2D Sonar View.  
**Other:** See your control head operations manual.
3. If the bottom is visible on-screen with a digital depth readout, the unit is working properly.
4. **2D Sonar Test:** If the unit is working properly, gradually increase the boat speed to test high-speed performance.
5. Review the sonar returns displayed on the [2D] Sonar View. If the unit functions well at low speeds, but begins to skip or miss the bottom at higher speeds, the transducer requires adjustment.

#### Routing the Cable



#### Transducer Connectors



## TRANSOM TRANSDUCER Installation Guide

**CAUTION!** If you do change the transducer position, re-trace the position of the mounting bracket before proceeding.

- Side Imaging® Test:** Select a Side Imaging View.  
**HELIX:** Press and hold the VIEW key. Select Sonar > Side Imaging View.  
**APEX/SOLIX:** Press the Home key. Select a Side Imaging View.  
**Other:** See your control head operations manual.
- Navigate the boat in a straight line at trolling speed. Confirm there is nothing obstructing the display of the side imaging beams.

### Finalize the Transducer Installation

Once you have reached a consistently good sonar signal at the desired speeds, you are ready to lock down the transducer settings.

- Confirm the transom bracket is level and hand tighten the screws until they are secure. **Hand tighten only!**  
 Fully tighten the two pivot bolts, using a 1/2" [13 mm] torque wrench to 12 ft-lbs. If you don't have a torque wrench, use a crescent/box wrench to hand tighten the two pivot bolts until they are secure, then turn the wrench 45 to 60 degrees more. **Hand tighten only!**

### MAINTENANCE

If your transducer remains in the water for long periods of time, slush, algae and other marine growth can reduce the effectiveness of the transducer. Periodically clean the face of the transducer with a mild, marine-safe and plastic-safe soap or solution.

If your transducer remains out of the water for a long period of time, it may take some time to wet the transducer after it is returned to the water. Small air bubbles can cling to the surface of the transducer and interfere with proper operation. These bubbles will dissipate with time, or you may wipe the face of the transducer with your fingers after the transducer is in the water.

## Contact Humminbird

**Web site:** humminbird.com

**E-mail:** service@humminbird.com

**Telephone:** 1-800-633-1468

**Direct Shipping:** Humminbird  
 Service Department  
 678 Humminbird Lane  
 Eufaula, AL 36027 USA

**WARNING!** Disassembly and repair of this electronic unit should only be performed by authorized service personnel. Any modification of the serial number or attempt to repair the original equipment or accessories by unauthorized individuals will void the warranty.

**WARNING!** The transducer must be fully submerged in water during operation because the sonar signal cannot pass through air. Air pinging can damage the transducer.


**NOTE:** Download Humminbird installation guides and operations manuals from our Web site at [humminbird.com](http://humminbird.com).

**NOTE:** Product specifications and features are subject to change without notice.

**ENVIRONMENTAL COMPLIANCE STATEMENT:** It is the intention of Johnson Outdoors Marine Electronics, Inc. to be a responsible corporate citizen, operating in compliance with known and applicable environmental regulations, and a good neighbor in the communities where we make or sell our products.

**WEEE DIRECTIVE:** EU Directive 2002/96/EC "Waste of Electrical and Electronic Equipment Directive [WEEE]" impacts most distributors, sellers, and manufacturers of consumer electronics in the European Union. The WEEE Directive requires the producer of consumer electronics to take responsibility for the management of waste from their products to achieve environmentally responsible disposal during the product life cycle.


WEEE compliance may not be required in your location for electrical & electronic equipment (EEE), nor may it be required for EEE designed and intended as fixed or temporary installation in transportation vehicles such as automobiles, aircraft, and boats. In some European Union member states, these vehicles are considered outside of the scope of the Directive, and EEE for those applications can be considered excluded from the WEEE Directive requirement.


 This symbol [WEEE wheelee bin] on product indicates the product must not be disposed of with other household refuse. It must be disposed of and collected for recycling and recovery of waste EEE. Johnson Outdoors Marine Electronics, Inc. will mark all EEE products in accordance with the WEEE Directive. It is our goal to comply in the collection, treatment, recovery, and environmentally sound disposal of those products; however, these requirements do vary within European Union member states. For more information about where you should dispose of your waste equipment for recycling and recovery and/or your European Union member state requirements, please contact your dealer or distributor from which your product was purchased.

## TRANSDUCTEUR TRANSOM Guide d'Installation

532508-4\_B

L'installation sur le tableau arrière permet l'ajustement de l'angle de marche et de la profondeur une fois le transducteur monté, ce qui vous permet d'ajuster l'installation pour obtenir de meilleurs résultats. Lisez les instructions dans ce guide de transducteur complètement à comprendre les directives de montage avant de commencer l'installation.

 **REMARQUE :** En raison de la grande variété de coques, nous ne présentons dans cette notice que des directives d'installation générales. Chaque bateau présente des exigences particulières qu'il faut évaluer avant l'installation. Pour obtenir des informations détaillées sur l'installation de transducteurs sur différents types de coque, téléchargez le Guide des ressources d'installation des transducteurs sur notre site Web [humminbird.com](http://humminbird.com).

 **REMARQUE :** L'apparence de votre transducteur peut être différente de celles des transducteurs illustrés. Le montage est toutefois exactement le même.

### PRÉPARATION DE L'INSTALLATION

Installez la tête de commande avant de commencer l'installation du transducteur. Consultez le guide d'installation de la tête de commande.

Consultez le manuel du propriétaire de votre bateau pour connaître les emplacements d'installation des transducteurs recommandés et les méthodes d'acheminement des câbles.

Lisez et comprenez la garantie de votre bateau avant de commencer cette installation.

Visitez notre site Web à [humminbird.com](http://humminbird.com) pour plus d'informations et de ressources sur les installations de transducteurs. Visitez également [youtube.com/humminbirdtv](http://youtube.com/humminbirdtv) pour obtenir des vidéos d'information.

Confirmez que votre bateau est à niveau pour l'installation.

Considérez vos exigences de vitesse.

Pour éviter tout dommage, il est recommandé de ne pas dépasser 105 km / h [65 mi / h] lorsque le transducteur monté sur le tableau de bord est dans l'eau. Si la vitesse au-delà de 105 km/h [65 mph] est critique, consultez la section FAQ [Foire aux questions] de notre site Web à l'adresse [humminbird.com](http://humminbird.com).

**Matériel :** En plus du matériel fourni avec le transducteur, vous aurez besoin d'une perceuse électrique et de forets, ainsi que de divers outils à main, dont une règle ou règle d'ajusteur, un niveau, un marqueur ou crayon, tournevis à tête cruciforme, tournevis à tête plate, une clé à douille, clé de 13 mm [1/2 po] et clé dynamométrique, des lunettes de sécurité, un masque antipoussières et un agent d'étanchéité à base de silicone de qualité marine, et la graisse diélectrique [facultatif]. Vous pouvez aussi avoir besoin de câbles d'extension et de matériel pour la pose du câble à la tête de commande.

### PRÉSENTATION DE L'INSTALLATION

**Nouvelle installation :** Consulter *Directives de montage sans turbulence* et passer à la section 1. *Monter le support de tableau arrière sur le bateau.*

**Transducteur précédemment installé :** Si un transducteur XHS était précédemment installé sur le tableau arrière, le support inclus dans cette trousse d'installation peut être installé au même emplacement.

1. Alignez le support en métal sur les trous de montage existants pour confirmer que les trous correspondent à ceux de l'installation précédente, puis passez en revue les exigences

## TRANSDUCTEUR TRANSOM Guide d'Installation

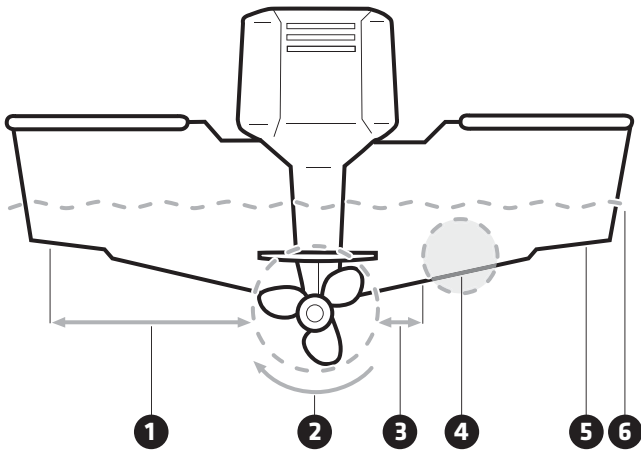
532508-4\_B

d'installation incluses dans cette section. Remplissez tous les trous inutilisés avec un agent d'étanchéité à base de silicone de qualité marine.


2. Assurez-vous que le bateau est à niveau sur la remorque [du port au tribord et de la proue à la poupe].
3. Passer à la section **2. Installer le transducteur**.

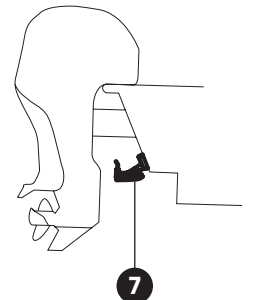
### DIRECTIVES DE MONTAGE SANS TURBULENCE

Il est très important de positionner le transducteur à un endroit relativement libre de turbulences. Tenez compte des facteurs suivants pour déterminer l'emplacement où il y aura le moins de turbulences :



- 1 Évitez les zones où il y a un écoulement d'eau turbulent.** Eau turbulente se limitent normalement aux zones situées directement à l'arrière des membrures, virures ou rangées de rivets sous le bateau et dans la zone immédiate de l'hélice [des hélices]. La meilleure façon de localiser un emplacement libre de turbulences est de regarder le tableau arrière lorsque le bateau se déplace.
- 2 Observez le sens de rotation de votre hélice** [en marche avant, lorsque, situé à l'arrière du bateau, vous faites face à la poupe]. Les hélices à rotation horaire créent plus de turbulences à bâbord. Les hélices antihoraire créent plus sur le côté tribord.
- 3 Assurez-vous qu'il y a une distance suffisante par rapport à l'hélice [s].** Sur les bateaux munis d'un moteur hors-bord ou semi-hors-bord, il vaut mieux placer le transducteur à une distance d'au moins 380 mm [15 po] à côté de l'hélice [des hélices].
- 4 L'emplacement de montage idéal [à droite de l'hélice [s]].** Il est important de noter que si vous envisagez de remorquer votre bateau, ne montez pas le transducteur trop près des couchettes ou des rouleaux de la remorque pour éviter de déplacer ou d'endommager le transducteur pendant le chargement et le déchargement du bateau.
- 5 Sur les bateaux ayant une coque à décrochement,** il est possible de monter le transducteur sur le décrochement. Ne montez pas le transducteur sur le tableau arrière, derrière un décrochement, sinon le transducteur pourrait émerger de l'eau à haute vitesse.
- 6 Le transducteur doit être monté de manière à être parallèle à la ligne de flottaison, mais complètement immergé dans l'eau pendant le fonctionnement.**
- 7 Si vous avez un transducteur à imagerie latérale,** il ne doit y avoir AUCUN obstacle obstruant les faisceaux latéraux, c'est-à-dire que rien ne doit se trouver dans le champ d'action de ces faisceaux [pas de coque, moteur, autre transducteur, etc.].

 **REMARQUE :** Vous pourriez avoir à incliner le moteur vers le haut et hors du champ d'action des faisceaux latéraux lorsque vous les utilisez.



**Vue dégagée :** La plaque de la prise donne au transducteur une distance sécurisée loin du moteur et de ses turbulences. L'imagerie latérale dispose d'une vue dégagée d'un côté à l'autre.



**Relevé de varangue :** La forme hydrodynamique du transducteur lui permet de pointer directement vers le bas, sans qu'il soit nécessaire de régler l'angle de relevé de varangue.

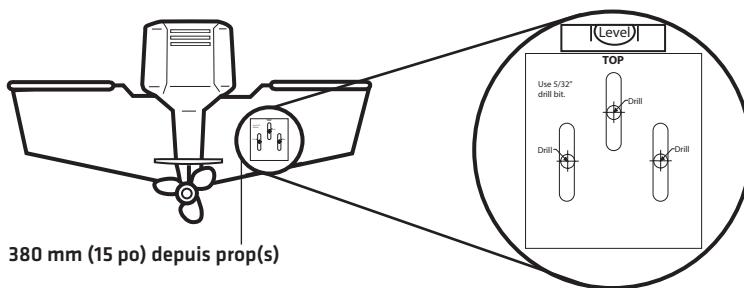
## 1 | Monter le support du transducteur sur le bateau

1. Assurez-vous que le bateau est de niveau sur la remorque, tant de bâbord à tribord que de la poupe à la proue, en plaçant un niveau sur le pont du bateau, dans une direction d'abord, puis dans l'autre.
2. Maintenez le support de montage contre le tableau arrière du bateau, à l'endroit déterminé au préalable.

Alignez le support horizontalement à l'aide du niveau. Assurez-vous que le coin inférieur du support ne dépasse pas du fond de la coque.

**Si l'hélice tourne dans le sens horaire** lorsque le bateau avance [lorsque, situé à l'arrière du bateau, vous faites face à la poupe], montez le transducteur à tribord. **Si l'hélice tourne dans le sens antihoraire** lorsque le bateau avance [lorsque, situé à l'arrière du bateau, vous faites face à la poupe], montez le transducteur à bâbord.

### Utilisation du support de montage pour marquer les trous à percer



380 mm (15 po) depuis prop(s)

3. Continuez à maintenir le support sur le tableau arrière du bateau, puis servez-vous d'un crayon ou d'un marqueur pour marquer l'emplacement des trois trous de montage. Marquez les trous à percer près du haut de chaque fente, en vous assurant que la marque est centrée dans la fente.
4. Assurez-vous, avant de percer, que le foret de la perceuse est perpendiculaire à la surface du tableau arrière, et NON parallèle au sol.

À l'aide d'un foret de 4 mm [5/32 po], percez les trois trous d'une profondeur approximative de 25 mm [1 po].



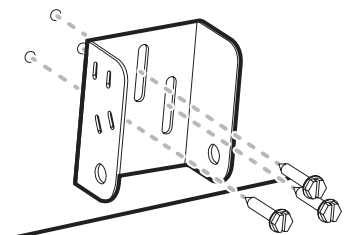
**REMARQUE :** Pour les coques en fibre de verre, il vaut mieux commencer avec un foret d'un diamètre plus petit et utiliser des forets d'un diamètre plus grand par la suite afin de réduire les chances d'écailler le revêtement extérieur.

5. Servez-vous d'un agent d'étanchéité à base de silicone de qualité marine pour remplir les trous percés.
6. Alignez le tableau arrière avec les trous de montage. La fente du centre doit être au-dessus des deux autres fentes. Confirmez que le support est bien à niveau.
7. Avec une clé à douille, installez les trois vis à de n°10 - 25 mm [1 po] dans les trous percés, mais ne les serrez pas complètement.



**REMARQUE :** Assurez-vous que les vis de montage maintiennent le support en place, mais ne les serrez pas à fond pour le moment afin de permettre à l'ensemble transducteur de glisser à des fins d'ajustement.

### Fixation du support

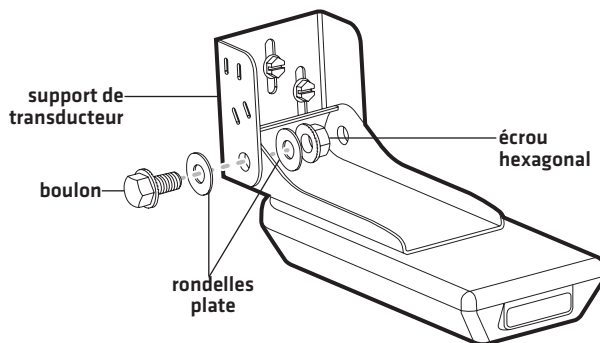


## 2 | Installer le transducteur

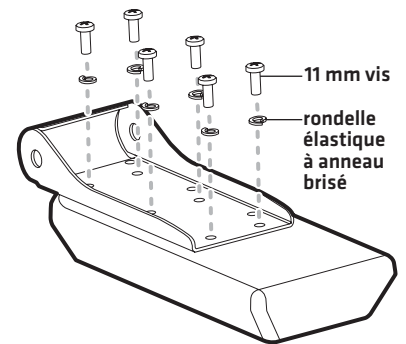
Le support pour tableau arrière vous permet d'ajuster la hauteur, et les boulons pivot vous permettent d'ajuster l'angle du transducteur. Ces ajustements permettent de réduire la cavitation et les bulles d'air autour du transducteur durant son fonctionnement.

1. Alignez le support du transducteur sur les trous en haut du transducteur.
2. Utilisez un tournevis à tête cruciforme pour installer une vis de 11 mm [7/16 po] et une rondelle élastique à anneau brisé n° 8 dans chaque trou sur le support. Serrez chaque vis à la main jusqu'à ce que la rondelle élastique à anneau brisé soit à plat. **Serrez les vis à la main seulement.**
3. Alignez les trous du support du transducteur avec les trous sur le tableau arrière.
4. Installez le boulon pivot, deux rondelles et un écrou dans le premier trou, comme indiqué dans l'illustration *Installation du support de transducteur*. Répétez la procédure pour le deuxième trou.
5. Utilisez une clé 13 mm [1/2 po] pour serrer l'assemblage, mais ne serrez pas encore complètement la quincaillerie [de sorte à pouvoir faire des ajustements au besoin après avoir testé l'installation].

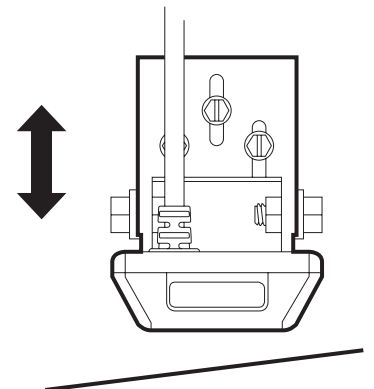
### Installation du support de transducteur



### Fixation du support de transducteur



### Ajustement de la hauteur



## 3 | Confirmez l'angle de montage

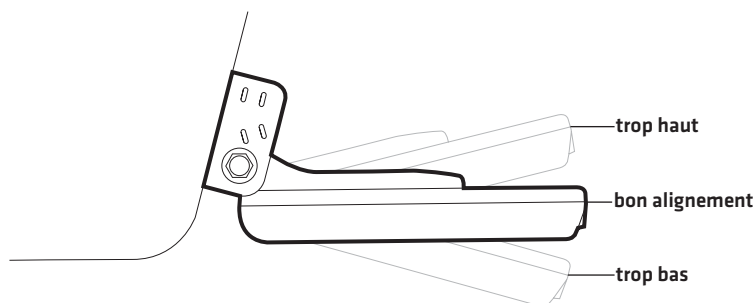
Vous devrez ajuster l'angle initial du transducteur à la fois verticalement et horizontalement pour confirmer l'angle de montage du transducteur.

1. Confirmez que la hauteur du transducteur sur le tableau arrière est suffisante de sorte que le transducteur soit éloigné du courant jet lorsque le bateau est en mouvement et qu'il soit submergé durant les vitesses de traîne.

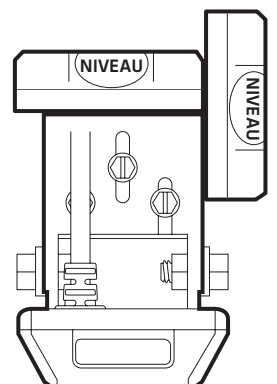
**Pour ajuster la hauteur,** desserrez légèrement les vis du support sur le tableau arrière, puis montez ou descendez le support en utilisant les rainures. Si les vis sont inaccessibles, il peut être nécessaire de désinstaller le transducteur, d'ajuster la hauteur et de répéter ensuite les instructions d'installation des sections 1 et 2.

2. **Ajustez l'angle du transducteur** de sorte qu'il soit parallèle à la longueur de la coque du bateau avec un léger angle vers le bas [environ 5°].

### Ajustement de l'angle de fonctionnement du transducteur



### Mise à niveau du support



## TRANSDUCTEUR TRANSOM Guide d'Installation

532508-4\_B

- Serrez les deux boulons pivot à l'aide d'une clé de 13 mm [1/2 po].



**REMARQUE :** Vous percerez le troisième trou de montage et complétez l'installation après avoir acheminé le câble et effectué des essais [dans les procédures suivantes].

### 4 | Acheminement du câble

Vous pouvez faire passer le câble par **dessus le tableau arrière du bateau** ou **à travers un trou dans le tableau ci-dessus la ligne de flottaison**. Il se peut que votre bateau soit déjà muni d'une canalisation ou conduite de câblage, que vous pourriez utiliser pour acheminer le câble du transducteur. Sélectionnez la méthode de routage qui est le mieux pour la configuration de votre bateau, et acheter de câbles d'extension, des serre-câbles, pinces, etc, si nécessaire.

- Il vaut mieux acheminer le câble à côté du transducteur afin que le transducteur ne l'endommage pas lors du déplacement du bateau.
- Le transducteur peut pivoter sur le support. Laissez assez de mou dans le câble pour accommoder ce mouvement.
- Si vous percez des trous, les remplir avec du mastic silicone de qualité marine.**
- Câble excédentaire :** Si le câble est un peu long et que vous devez ranger l'excédent quelque part, placez le câble que vous aurez tiré des deux directions de façon à ne former qu'une seule boucle. Doublez le câble à partir de ce point et enroulez-le en spirale. Le fait de ranger l'excès de câble de cette manière peut contribuer à réduire les interférences électroniques.



**MISE EN GARDE !** Ne coupez pas le câble du transducteur pour le raccourcir et essayez de ne pas endommager le revêtement isolateur du câble. Gardez le câble le plus à l'écart possible de tout câble d'antenne de radio VHF ou de câble de tachymètre, afin de limiter les possibilités d'interférence. Si le câble du transducteur est trop court, vous pouvez vous procurer des rallonges pour le prolonger jusqu'à une longueur totale de 15 m [50 pi]. Pour obtenir de l'aide, contactez le support technique Humminbird.



**MISE EN GARDE !** Ne montez PAS les câbles dans un endroit où les connecteurs pourraient être submergés. Si les câbles sont installés dans une zone où des éclaboussures sont possibles, il est préférable d'appliquer de la graisse diélectrique sur l'intérieur des connecteurs pour éviter la corrosion. Vous pouvez acheter la graisse diélectrique séparément dans une quincaillerie ou un magasin d'équipement automobile.

### 5 | Brancher le câble

- Branchez le câble de la sonde au port de transducteur sur la tête de commande.

Le connecteur est claveté afin de prévenir une installation inversée. L'insertion devrait être aisée. Ne forcez pas les connecteurs dans les ports.

**Si le connecteur de câble est rond, serrez l'écrou à la main pour sécuriser le branchement. Serrez la vis à la main seulement !**

Reportez-vous au guide d'installation de votre tête de commande pour plus de détails.

### 6 | Essai et fin de l'installation

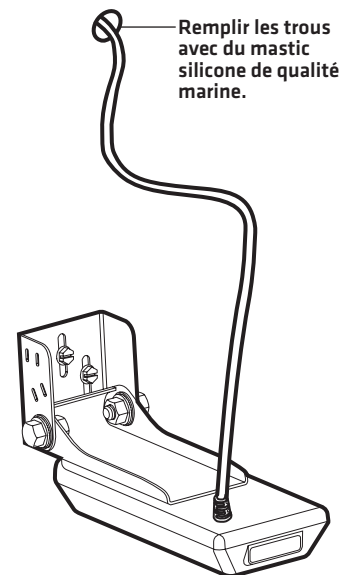
Lorsque vous avez terminé l'installation de la tête de commande, le transducteur et que vous avez acheminé tous les câbles, vous devez effectuer des essais avant de bloquer le transducteur en position.

Essais doivent être effectués bateau dans les eaux profondes de 60 cm [2 pi] ou plus. Le transducteur doit être complètement immergée car le signal sonar ne peut pas passer à travers l'air.

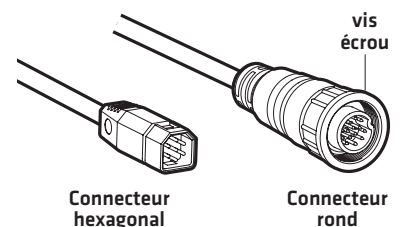


**AVERTISSEMENT !** Le transducteur doit être complètement submergé dans l'eau pendant le fonctionnement car le signal du sonar ne peut pas traverser l'air. Un cliquetis d'air peut endommager le transducteur.

#### Acheminement du câble



#### Connecteurs du transducteur



**Testez l'installation du transducteur sur la tête de commande**

1. Appuyez sur la touche Mise en marche [POWER] pour mettre la tête de commande en marche.

Le tête de commande active le mode de fonctionnement normal si un transducteur est détecté.

2. Sélectionnez une vue sonar à afficher à l'écran.

**HELIX** : Appuyez sur la touche AFFICHAGE et tenez-la enfoncée. Sélectionnez Sonar > Vue sonar.

**APEX/SOLIX** : Appuyez sur la touche Accueil. Sélectionnez une vue sonar.

**Autre** : Consultez le guide d'utilisation de votre tête de commande.

3. Si le fond et un indicateur numérique de la profondeur sont visibles à l'écran, c'est que l'appareil fonctionne adéquatement.
4. **2D Sonar Test**: Si l'appareil fonctionne correctement, augmentez progressivement la vitesse du bateau pour tester les performances à haute vitesse.
5. Examinez les retours de sonar affichés sur la vue sonar [2D].



**MISE EN GARDE !** Si vous décidez de changer la position du transducteur, retracez au préalable la position du support de montage.

6. **Essai de l'imagerie latérale** : Sélectionnez une vue d'imagerie latérale.

**HELIX** : Appuyez sur la touche VISUALISER sans la relâcher. Sélectionnez Sonar > Vue d'imagerie latérale.

**APEX/SOLIX** : Appuyez sur la touche Accueil. Sélectionnez une vue d'imagerie latérale.

**Autre** : Consultez le guide d'utilisation de votre tête de commande.

7. Naviguez en ligne droite à une vitesse comprise à la vitesse de pêche à la traîne. Confirmez qu'aucune obstruction n'apparaît des faisceaux d'imagerie latérale sur l'écran.

**Finaliser l'installation du transducteur**

Lorsque vous obtenez un bon signal continu du sonar, vous serez prêt à bloquer les réglages du transducteur.

8. Confirmer le support du tableau arrière est de niveau et serrez les vis jusqu'à ce qu'ils soient en sécurité. **Serrez à la main seulement !**

Serrez complètement les deux boulons pivot à l'aide d'une clé de 13 mm [1/2 po] à un couple de 12 pi-lb. Si vous ne disposez pas d'une clé dynamométrique, utiliser une clé à molette serrer à la main les deux boulons de pivot jusqu'à ce qu'ils soient en sécurité, puis tourner la clé 45 à 60 degrés de plus. **Serrez à la main seulement !**

**ENTRETIEN**

Si le transducteur demeure à l'eau pendant de longues périodes, les salissures peuvent réduire l'efficacité du transducteur. Nettoyez périodiquement la façade du transducteur avec un savon ou liquide doux et sans danger pour le plastique et pour le milieu biologique marin.

Si le transducteur est sorti de l'eau pendant une période prolongée, il faut le laisser reposer un certain temps après l'avoir remis dans l'eau. De petites bulles d'air peuvent adhérer à la surface du transducteur et gêner son fonctionnement. Ces bulles se dissipent avec le temps; vous pouvez également essuyer la surface du transducteur avec les doigts après l'avoir remis dans l'eau.

**Pour communiquer avec Humminbird**site Web : [humminbird.com](http://humminbird.com)Courrier électronique : [service@humminbird.com](mailto:service@humminbird.com)

Téléphone : 1-800-633-1468

Adresse d'expédition directe : Humminbird  
Service Department  
678 Humminbird Lane  
Eufaula, AL 36027 USA



**AVERTISSEMENT !** La réparation et/ou le démontage de cet appareil électronique doit être effectué uniquement par un personnel d'entretien autorisé. Toute modification du numéro de série et/ou réparation par un personnel non autorisé entraînera l'annulation de la garantie.



**AVERTISSEMENT !** Le transducteur doit être complètement submergé dans l'eau pendant le fonctionnement car le signal du sonar ne peut pas traverser l'air. Un cliquetis d'air peut endommager le transducteur.



**REMARQUE :** Les guides d'utilisation et d'installation sont téléchargeables sur notre site Web à l'adresse [humminbird.com](http://humminbird.com).



**REMARQUE :** Les caractéristiques et spécifications de ce produit peuvent être modifiées sans préavis.

**DÉCLARATION DE CONFORMITÉ AVEC L'ENVIRONNEMENT :** Johnson Outdoors Marine Electronics, Inc. entend agir en de façon responsable, et respecter la réglementation environnementales connues et applicables et la politique de bon voisinage des communautés où elle fabrique et vend ses produits.

**DIRECTIVE DEEE :** La directive EU 2002/96/CE sur les « déchets d'équipements électriques et électroniques [DEEE] » concerne la plupart des distributeurs, vendeurs et fabricants d'équipements électroniques grand public dans l'Union européenne. La directive DEEE requiert que le producteur d'équipements électroniques grand public prenne en charge la gestion des déchets de leurs produits et mettent en oeuvre leur élimination en respectant l'environnement, pendant le cycle de vie du produit.

Il est possible que la conformité à la directive DEEE ne soit pas requise sur le site pour les équipements électriques et électroniques [EEE], ou pour les équipements EEE conçus et destinés à des installations temporaires ou fixes sur les véhicules de transport tels que les automobiles, les aéronefs ou les bateaux. Dans certains pays membres de l'Union européenne, ces véhicules n'entrent pas dans le domaine d'application de la directive, et les EEE pour ces applications peuvent être considérés exclus de la conformité à la directive WEEE.



Ce symbole [poubelle DEEE] figurant sur le produit indique qu'il ne doit pas être mis au rebut avec les autres déchets ménagers. Il doit être éliminé et recueilli pour le recyclage et la récupération des équipements EEE à mettre au rebut. Johnson Outdoors Marine Electronics, Inc. marque tous les produits EEE conformément à la directive DEEE. Notre but est de respecter les directives sur la collecte, le traitement, la récupération et la mise au rebut de ces produits en respectant l'environnement ; ces exigences varient toutefois d'un état membre à l'autre de l'Union européenne. Pour obtenir d'autres renseignements sur les sites d'élimination des déchets d'équipements en vue de leur recyclage et de leur récupération et/ou sur les exigences des états membres de l'Union européenne, renseignez-vous auprès du distributeur ou du lieu d'achat de votre produit.