



BILGE PUMP

Features

- Patented X-Air™ anti-airlock impeller
- Non Return Valve recommended for any installation

Certifications, Standards and Listings:

The Tsunami Mk2 pumps meet or exceed the following U.S. and international standards

- Bilge pumps standards
 - ABYC H-22
 - ISO 8849
 - ISO 15083
- Ignition Protection Standards
 - ISO 8846 Marine
- Marine Electrical Wiring Standards
 - ABYC E-11
 - ISO 10133
- Approvals: NMMA "As approved Listing"; CE; RCM; UKCA



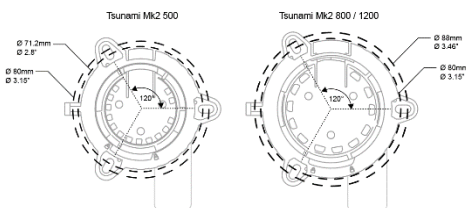
Part No.	NMMA	CE	RCM	UKCA
5606 Series	tbc	✓	✓	✓
5608 Series	tbc	✓	✓	✓
5609 Series	tbc	✓	✓	✓
5512 Series	tbc	✓	✓	✓
5513 Series	tbc	✓	✓	✓

Model	Rated Voltage (D.C)	Fuse Size*	Outlet Type	Check Valve	Wire Length	Bulk Packaging	Retail Packaging
T500	12-Volt	3 Amp	3/4" (19mm) & 1" (25mm) Barbs	Y	29" (735mm)	-	5606-7
			3/4" (19mm) Barb	N		5606B-1	-
			1-3/8" Threaded*	Optional		5606-1	-
T800	12-Volt	4 Amp	3/4" (19mm) & 1" (25mm) Barbs	Y		-	5608-7
			3/4" (19mm) Barb	N		5608B-1	-
			1-3/8" Threaded*	Optional		5608-1	-
T800	24-Volt	2 Amp	3/4" (19mm) & 1" (25mm) Barbs	Y		-	5609-7
			3/4" (19mm) Barb	N		5609B-1	-
			1-3/8" Threaded*	Optional		5609-1	-
T1200	12-Volt	5 Amp	3/4" (19mm) & 1" (25mm) Barbs	Y	-	5612-7	
			3/4" (19mm) Barb	N	5612B-1	-	
			1-3/8" Threaded*	Optional	5612-1	-	
T1200	24-Volt	2 Amp	3/4" (19mm) & 1" (25mm) Barbs	Y	-	5613-7	
			3/4" (19mm) Barb	N	5613B-1	-	
			1-3/8" Threaded*	Optional	5613-1	-	
Materials			PC/BT Lid & Cartridge Body, ABS Basket, PP (GF) Pump Body & Fittings, POM Fittings, PBT (GF) Impeller, SS316 Motor Shaft, Nitrile Seals				
Minimum Water Level			2/5" (10mm)				
IP Rating			IP68				

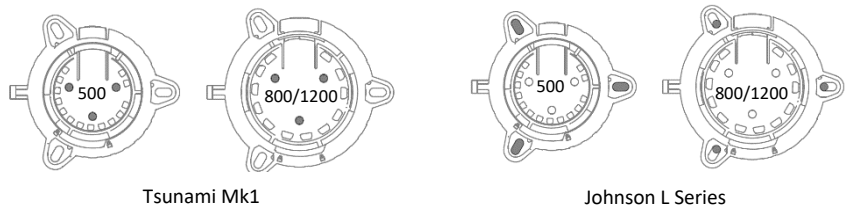
Automotive Blade Type Fuses Recommended

*Please order the correct outlet type to suit your needs (NRVs come as standard)

Tsunami Mk2 Mounting Holes



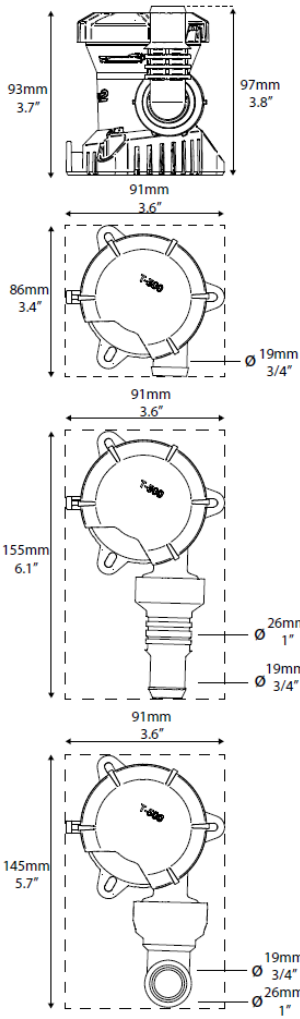
Tsunami Mk2 Retrofit Options



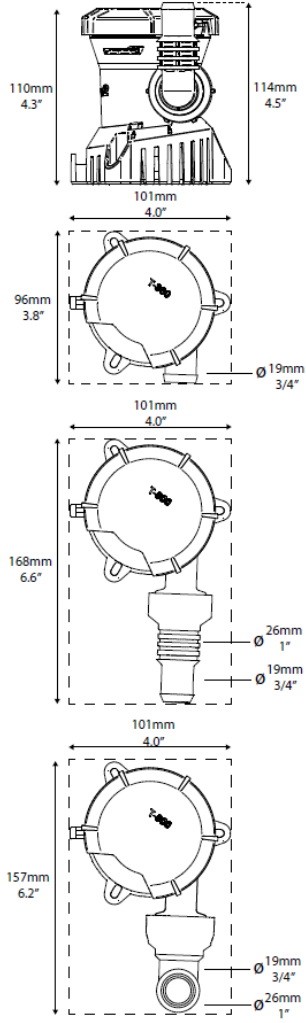


BILGE PUMP

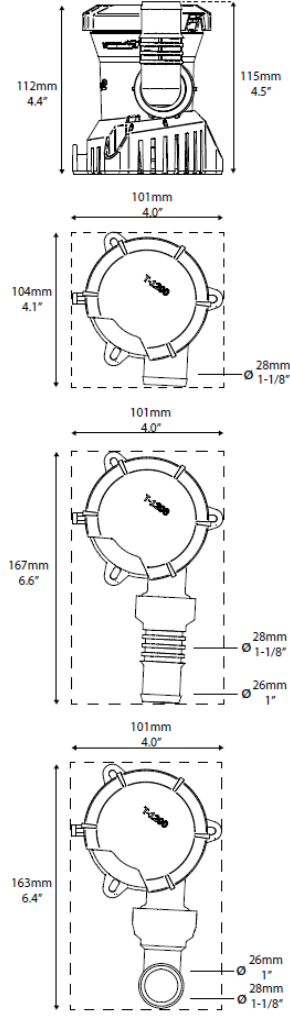
500 Dimensions



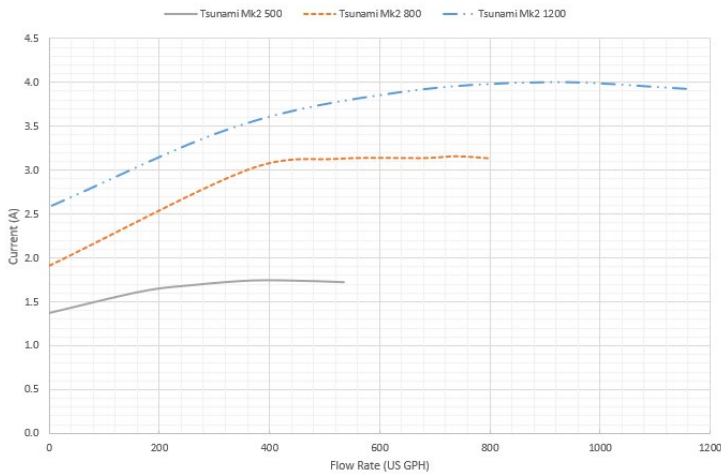
800 Dimensions



1200 Dimensions



Current Draw



Flow Rate

