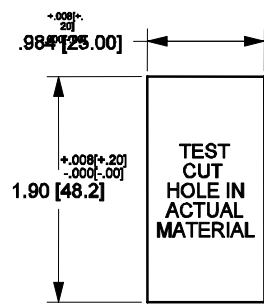


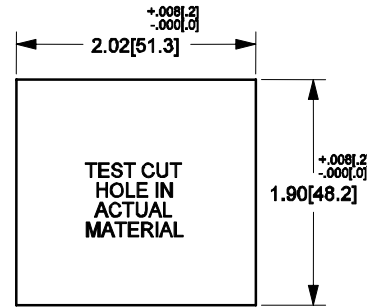
MOUNTING PANEL
 For additional units, add 1.03[26.2] per unit.
 For more than 2 V-Series Switches, add
 middle section. Available in Panel Thicknesses
 listed below. Consult factory.

MOUNTING PANEL THICKNESS

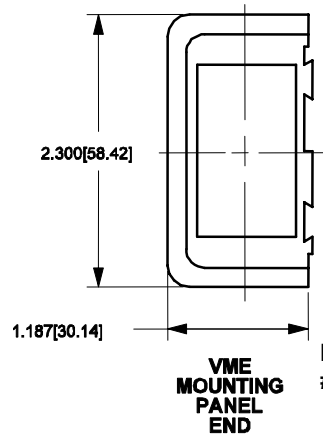
.062[1.57]	.187[4.75]
.093[2.36]	.250[6.35]
.125[3.17]	.375[9.52]



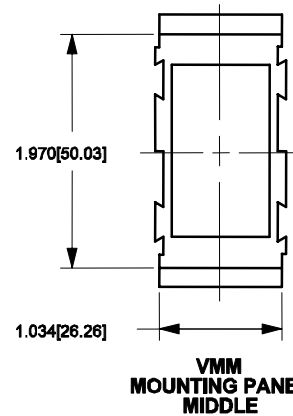
**VMS
MOUNTING PANEL
HOLE**



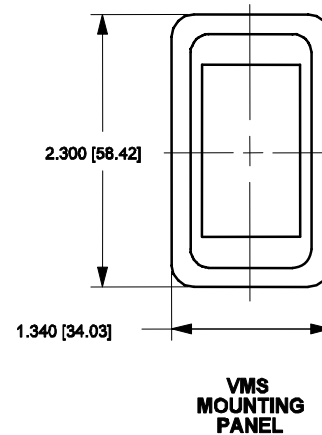
**MOUNTING PANEL
OPENING
(2) UNITS**



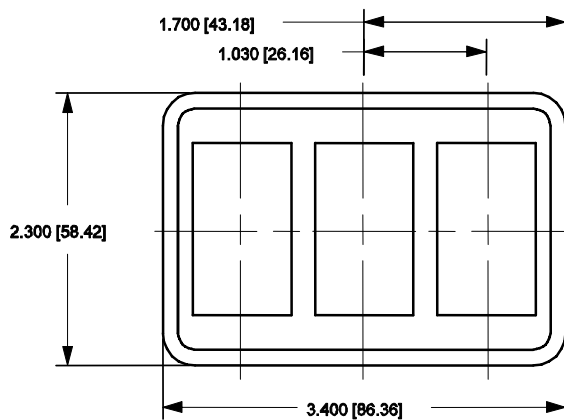
**VME MOUNTING
PANEL
END**
Mastervolt part
70906302



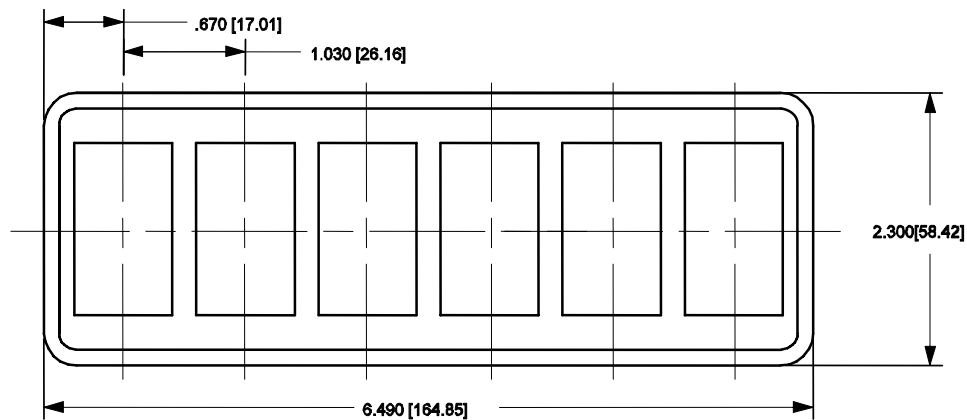
**VMM MOUNTING PANEL
MIDDLE**
Mastervolt part
70906303



**VMS MOUNTING
PANEL**
Mastervolt part
70906301



**VM3
MOUNTING PANEL**
Mastervolt part # 70906304



**VM6
MOUNTING PANEL**
Mastervolt part # 70906305



Dimensions Installation frames for
 waterproof switches & control buttons
 (inches [mm])