

# Quick<sup>®</sup>

REV 001A

High Quality Nautical Equipment

## KIT BALDER

**PASSASCAFO  
AUTOMATIC STOP**



**IT** Manuale d'uso

**GB** User's Manual

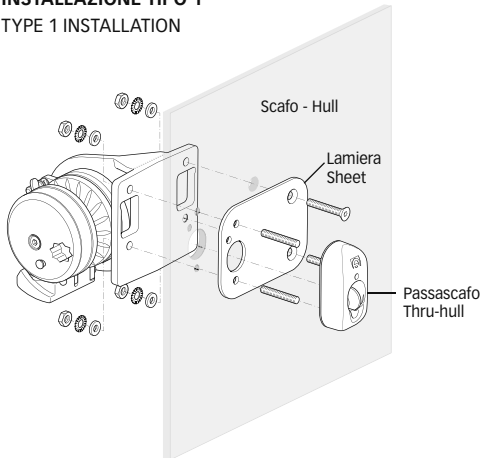
**KIT ACCESSORI BALDER**

**BALDER ACCESSOIRES KIT**



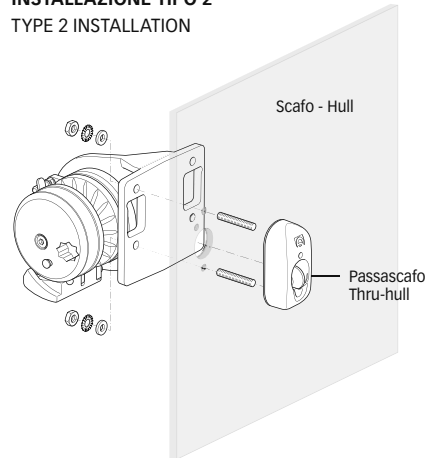
### INSTALLAZIONE TIPO 1

#### TYPE 1 INSTALLATION



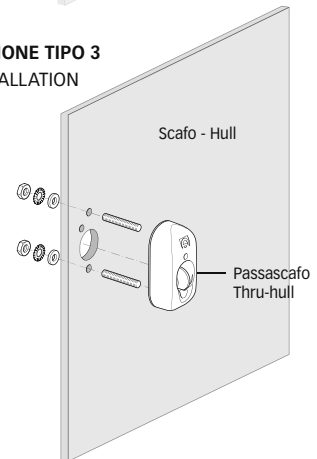
### INSTALLAZIONE TIPO 2

#### TYPE 2 INSTALLATION



### INSTALLAZIONE TIPO 3

#### TYPE 1 INSTALLATION



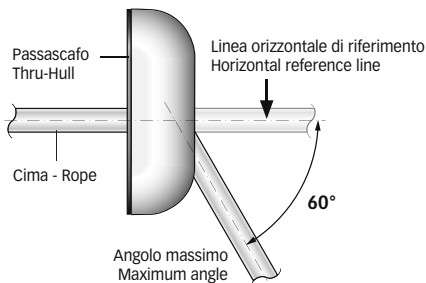
**Installa zione tipo 1** - La confezione contiene:  
passascafo - piastra - 2 prigionieri - 4 rondelle - 4 grower - 4 dadi

**Type 1 Installation** - The package contains:  
thru-hull - plate - 2 studs - 4 washers - 4 growers - 4 nuts

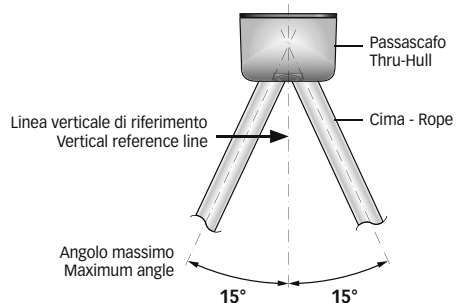
**Installazione tipo 2 e 3** - La confezione contiene:  
passascafo - 2 prigionieri - 2 rondelle - 2 grower - 2 dadi

**Type 2 and 3 installation** - The package contains:  
thru-hull - 2 studs - 2 washers - 2 growers - 2 nuts

### TOLLERANZA VERTICALE - VERTICAL TOLERANCE



### TOLLERANZA ORIZZONTALE - HORIZONTAL TOLERANCE

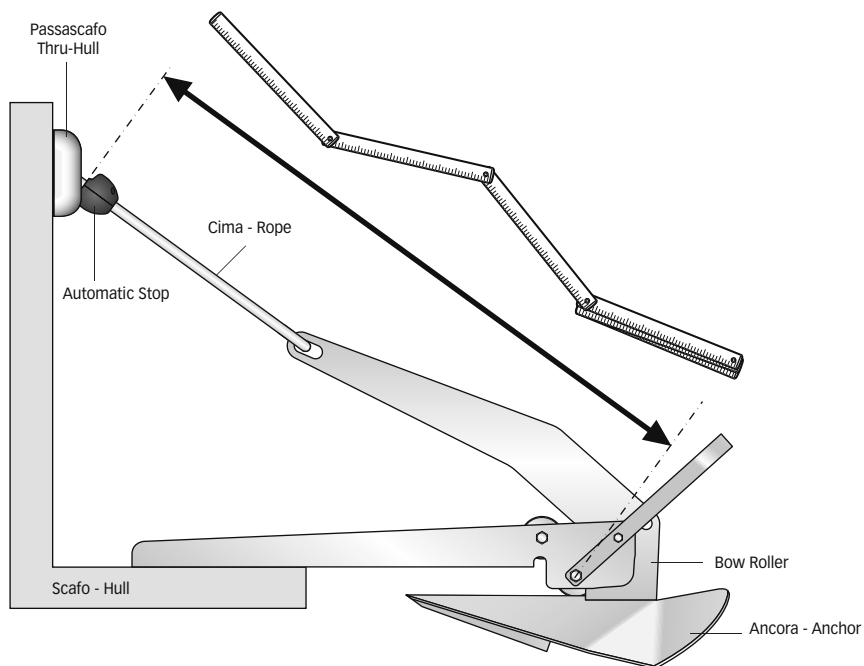
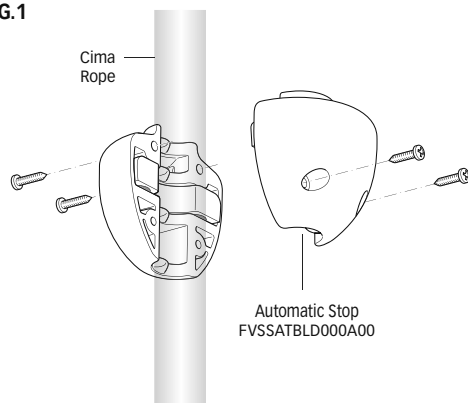


**FISSAGGIO DELL' AUTOMATIC STOP ALLA CIMA**

- Salpare l'ancora fino al suo blocco nel bow roller.
- Fissare l'automatic stop dai 2 ai 5 cm prima del passascafo.
- Regolare la posizione dell'Automatic Stop fino ad ottenere il blocco del salpa ancora nella posizione desiderata.

**FIXING OF THE AUTOMATIC STOP TO THE ROPE**

- Weigh anchor till it blocks in the Bow Roller.
- Fix the automatic stop 2 to 5 cm before the thru-hull.
- Adjust the position of the automatic stop as long as the windlass isn't locked in the desired position.

**FIG.1**

## CODICI KIT BALDER - BALDER KIT CODE

### INSTALLATION TYPE 1

Q.tà	Description	Code
1	OSP KIT Automatic + plate BALDER	FVSSATBLD000A00
1	OSP KIT Automatic BALDER	FVSSATBLD000A00
1	Mounting bracket fix plate "BLD" Ø105 Stainless steel	SPMMLFSTFBLD
1	Thru-hull BALDER	FVPSBLD0R000A00
4	Stud 8*Ø80 Ø8 Stainless steel	MBP080808X00
5	Washer Ø08 Stainless steel	MBR08X0000000
6	Grower Ø08 Stainless steel	MBG08X0000000
7	Nut M 8 Stainless steel hex.	MBD08MXEN000
8	Countersunk screw M8	-

### INSTALLATION TYPE 2

Q.tà	Description	Code
1	OSP Automatic Stop BALDER	FVSSBLSCBLD0A00
1	OSP KIT Automatic BALDER	FVSSATBLD000A00
1	Thru-Hull BALDER	FVPSBLD0R000A00
2	Stud 8*Ø80 Ø8 Stainless steel	MBP080808X00
2	Washer Ø08 Stainless steel	MBR08X0000000
2	Grower Ø08 Stainless steel	MBG08X0000000
2	Nut M 8 INOX hex.	MBD08MXEN000

### INSTALLATION TYPE 3

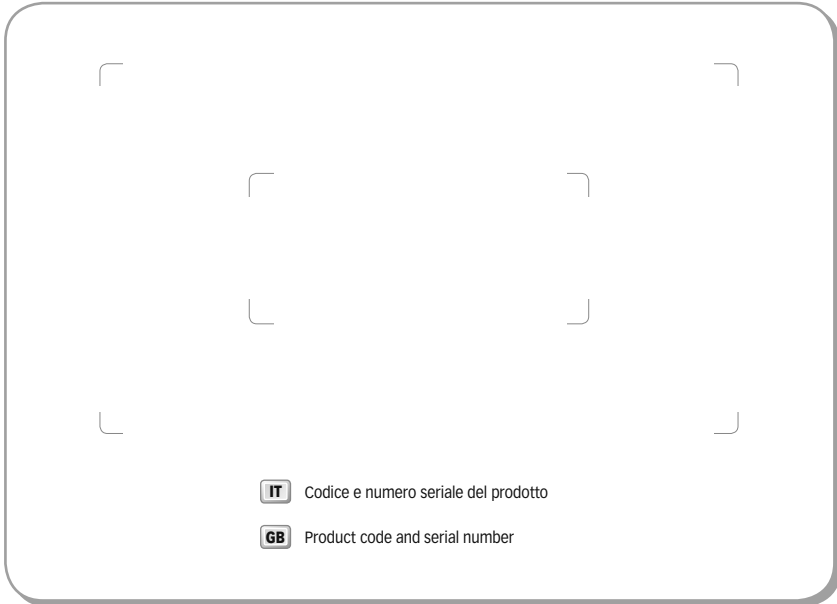
Q.tà	Description	Code
1	OSP Automatic Stop BALDER	FVSSBLSCBLD0A00
1	OSP KIT Automatic BALDER	FVSSATBLD000A00
1	Thru-Hull BALDER	FVPSBLD0R000A00
2	Stud 8*Ø80 Ø8 Stainless steel	MBP080808X00
2	Washer Ø08 Stainless steel	MBR08X0000000
2	Grower Ø08 Stainless steel	MBG08X0000000
2	Nut M 8 INOX hex.	MBD08MXEN000

### AUTOMATIC STOP

Q.tà	Description	Code
1	FVSSATBLD000A00	FVSSATBLD000A00

# KIT BALDER

**R01A**



**Quick**<sup>®</sup>  
Nautical Equipment

QUICK® S.p.A. - Via Piangipane, 120/A - 48124 Piangipane (RAVENNA) - ITALY  
Tel. +39.0544.415061 - Fax +39.0544.415047

[www.quickitaly.com](http://www.quickitaly.com) - E-mail: [quick@quickitaly.com](mailto:quick@quickitaly.com)