

Z-Busbar Range

777-Z10W-200 10 Way, Z-Busbar, 2x 200A

777-Z18W-200 18 Way, Z-Busbar, 2x 200A



Modular

Z18W-1.5x

Z10W-1.0x

0.5x

Footprint

Features & Benefits:

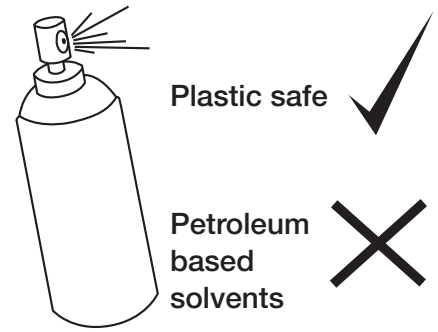
- Modular sizing and common interconnection height: Easily linked with other Pro Installer Busbars and Fuseholders to save installation time and space
- Compact footprint saves space
- Clean installation—all cables can be run from one side of the Z-bar
- Innovative clear covers insulate/protect on three sides, with “snap outs” for extra cable access as required
- Label recess on cover allows fitting up to ½” width (12.7mm) printed labels from handheld label printers
- Insert moulded studs offer superior mechanical strength
- Designed for the harsh marine environment
- Scalable: Link additional Z-bars together for extra capacity

Specifications:

- 4x 6mm (1/4”) studs
- 10, or 18 x 4mm (5/32”) terminals with captive lock washers
- 200A maximum per bar (2x 200A)
- 50 VDC
- High temperature, fibre reinforced plastic base provides strength and chemical resistance
- Clear polycarbonate cover
- Tinned CDA102 copper conductors, stainless steel studs, screws, and nuts for longevity in the marine environment
- All threads are metric
- Studs have anti-seize lubrication applied to prevent thread galling

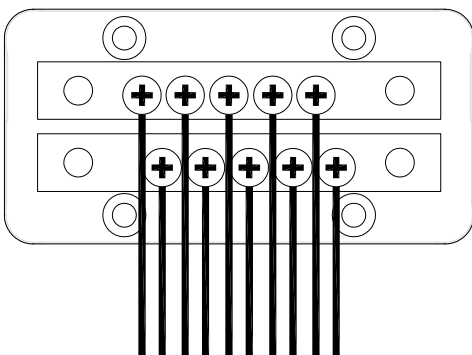
IMPORTANT! Read before installing

- Use only “plastic safe” corrosion inhibiting sprays. Do not wipe solvents/petrochemicals onto the clear polycarbonate covers. These chemicals can affect the plastic, resulting in deteriorated properties such as opacity, and brittleness
- Ensure all cables are sized correctly for the loads they carry. Please refer to the BEP website (www.bepmarine.com) to calculate correct cable sizes
- Ensure electrical connections are correctly tightened! Loose, high power connections are capable of damaging equipment or starting fires. See torque figures on facing page, alternatively use a ring spanner of the correct size and tighten until until firm

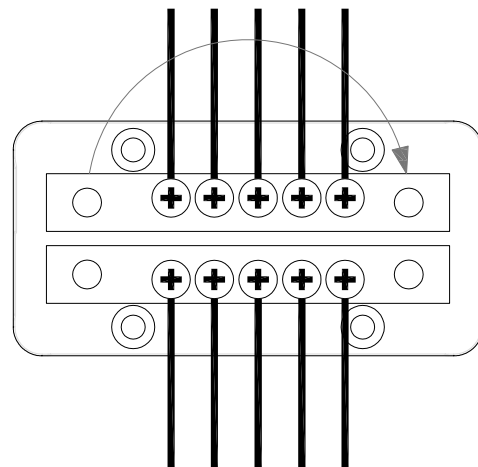


Installation Options:

- 1 Standard:** upper and lower bars connected with Z-Link
- 2 Separated:** No Z-Link used, upper and lower bars are isolated e.g. positive and negative
- 3 Choice of cable entry:** For cable entry from both sides (cables to low bar from one side, to high bar from opposite side), turn the upper bar around first
 - a. Remove nuts on upper bar
 - b. Remove Z-Link if fitted
 - c. Remove upper bar, rotate 180 degrees, and refit
 - d. Replace/retighten nuts and Z-Link
 - e. Score with cutter, and remove snap-off skirt from cover (see back page)



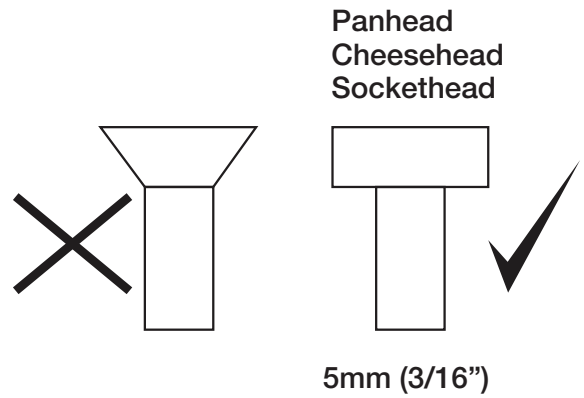
Cable Entry Same Side



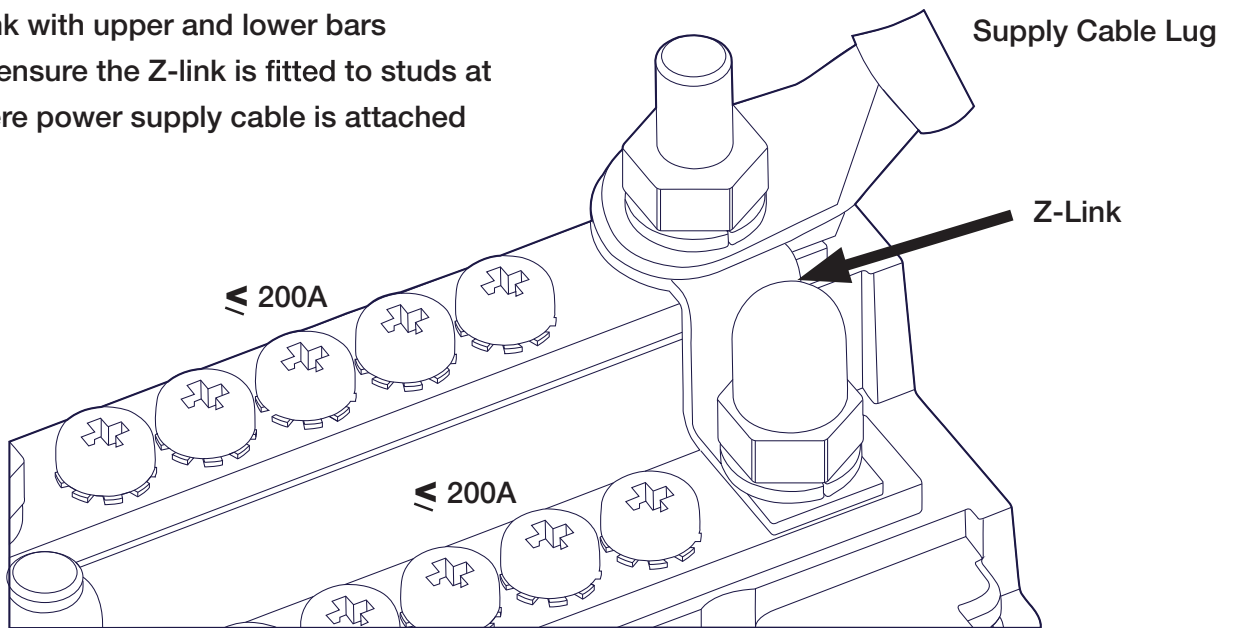
Cable Entry Both Sides
(Rotate Top Bar 180°)

Installation Instructions:

1. Choose mounting location in dry, interior location
2. Select screws for mounting, 5mm (3/16").
Use only panhead or similar screws
3. Screw busbar into chosen location



4. If using Z-link with upper and lower bars connected, ensure the Z-link is fitted to studs at the end where power supply cable is attached

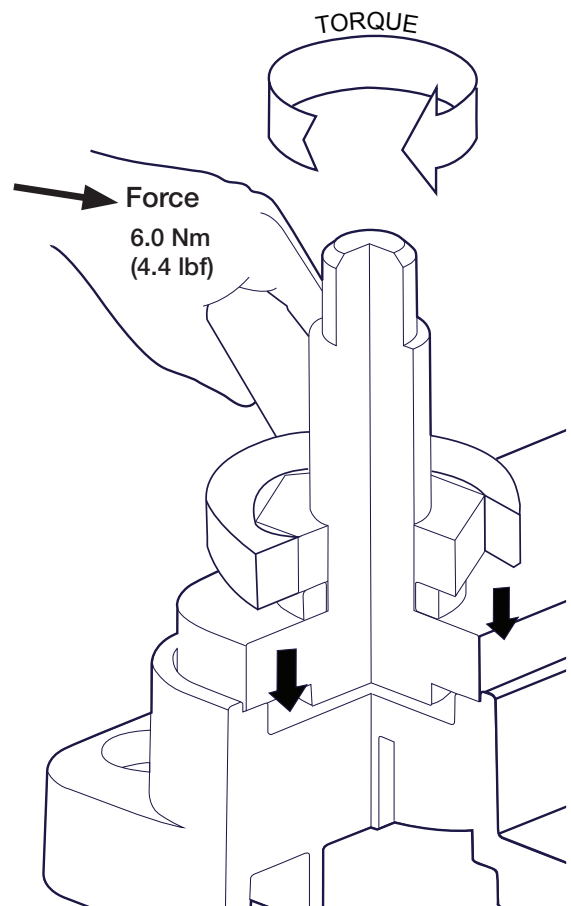


5. If using upper and lower bars isolated (no Z-link), fit lower bar stud connections first, then ensure that insulating caps are replaced before fitting power supply to the upper bar

6. Ensure that spring washers are in place beneath cable retaining nuts

7. Recommended and maximum torques:
 - 6mm (1/4") studs: 6.0 Nm (4.4 lbf)
 - 4mm (5/32") screws: 1.5Nm (1.1 lbf)

8. Ensure all four stud nuts are tight, as they secure the individual busbars



9. To remove snap-out sections of cover for additional cable access

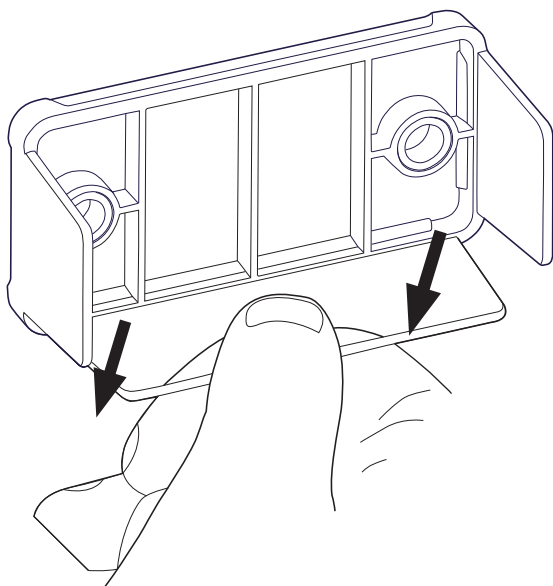
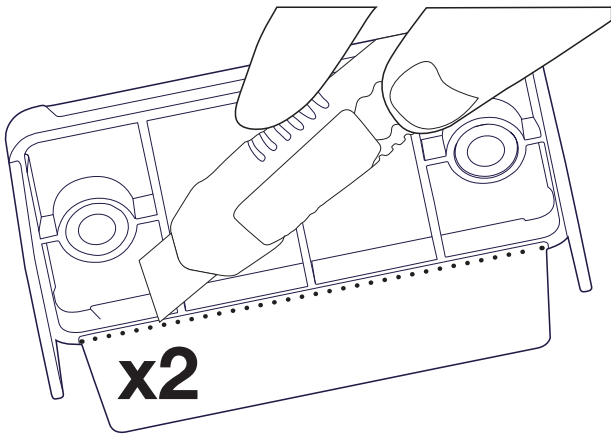
- Use a sharp knife to scratch/score twice along the snap-off line

BEWARE: PLEASE TAKE CARE WITH CRAFT KNIVES

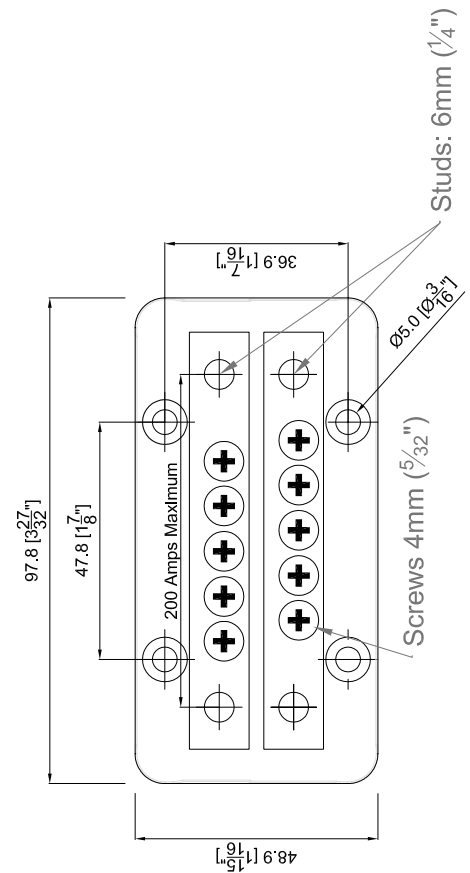
- Then snap-off section to be removed (Bend both ways).

10. Fit Cover

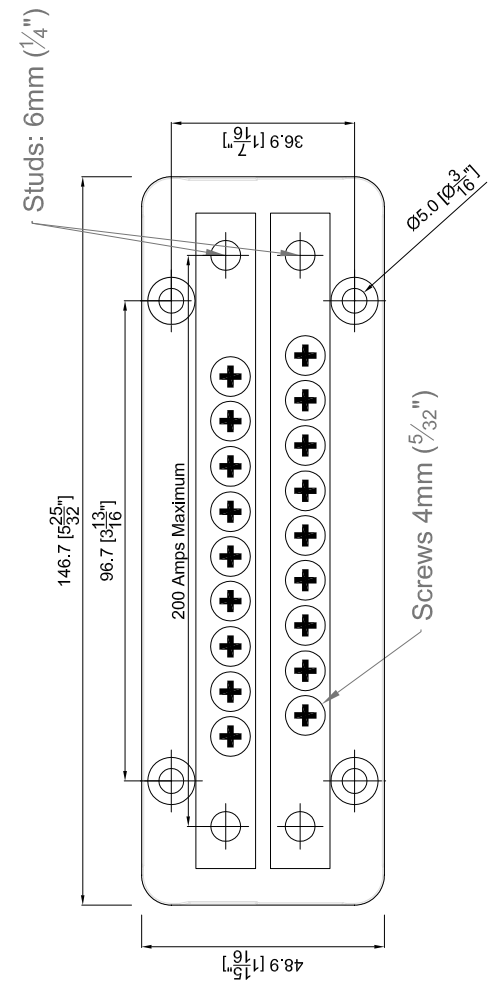
11. Ensure that cables are securely fastened and strain relieved as per ABYC/ISO or other applicable standards



10 Way Z-Bar



18 Way Z-Bar



Product	Dimensions (mm)	Dimensions (Inches)	Weight (Grams)	Weight (oz)
10 Way Z-Bar	98 x 49 x 51mm	3.9" x 1.9" x 2.0"	203g	7.2 oz
18 Way Z-Bar	147 x 49 x 51mm	5.8" x 1.9" x 2.0"	280g	9.9 oz