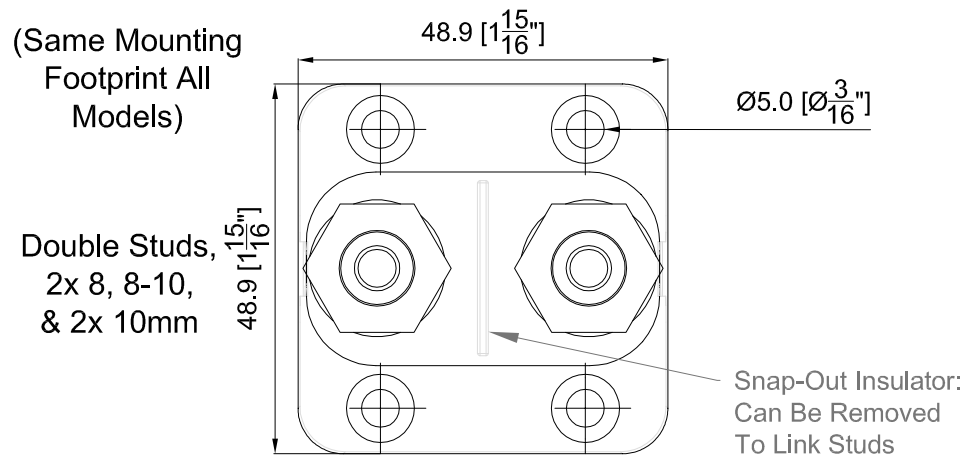
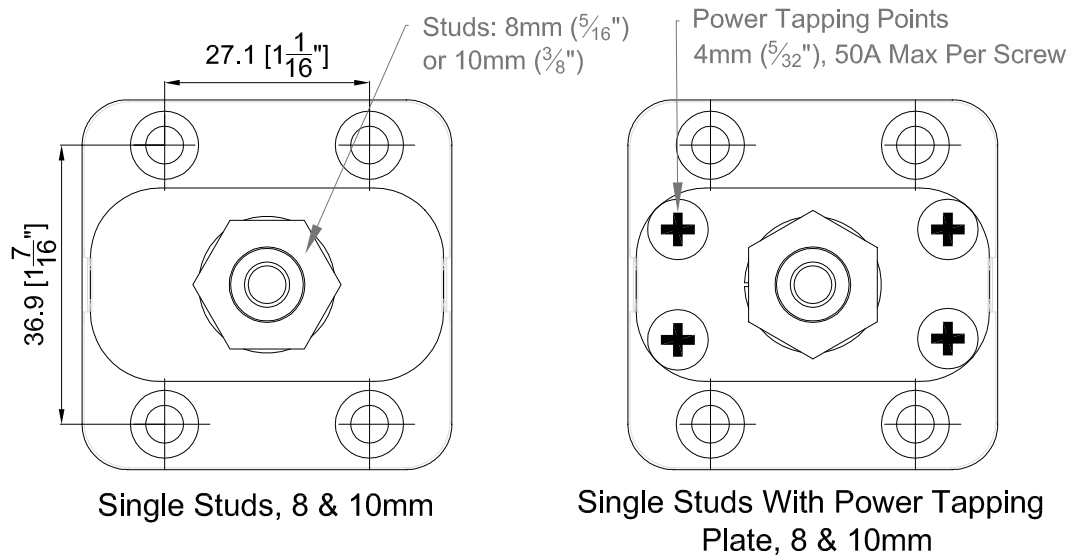


Mounting Template:



Product	Number of studs	Power tapping plate	Dimensions (mm)	Dimensions (Inches)	Weight (Grams)	Weight (oz)
IST-8MM-1S	1	n/a	49 x 49 x 62mm	1.9" x 1.9" x 2.4"	74g	2.6 oz
IST-8MM-2S	2	n/a	49 x 49 x 62mm	1.9" x 1.9" x 2.4"	110g	3.5 oz
IST-10MM-8MM	2	n/a	49 x 49 x 62mm	1.9" x 1.9" x 2.4"	110g	3.9 oz
IST-10MM-1S	1	n/a	49 x 49 x 62mm	1.9" x 1.9" x 2.4"	85g	3.0 oz
IST-10MM-2S	2	n/a	49 x 49 x 62mm	1.9" x 1.9" x 2.4"	122g	4.3 oz
IST-8MM-1SPT	1	✓	49 x 49 x 62mm	1.9" x 1.9" x 2.4"	106g	3.7 oz
IST-10MM-1SPT	1	✓	49 x 49 x 62mm	1.9" x 1.9" x 2.4"	117g	4.1 oz

INST-IST-B1

MARINCO
BEP PRODUCTS



Insulated Stud Range

Sizes: 8mm ($\frac{5}{16}$ ") & 10mm ($\frac{3}{8}$ ")

Single Studs:

IST-8MM-1S and IST-10MM-1S

With Power Tapping Plate:

IST-8MM-1SPT and IST-10MM-1SPT

Double Studs:

IST-8MM-2S, IST-10MM-8MM and IST-10MM-2S

Modular

1.5x

1.0x

Studs
-0.5x

Footprint



Pro Installer insulated studs are a smart choice for marine installers. Increased stainless steel stud length allows up to three large cable lugs to be connected, saving space, while the clear polycarbonate covers provide protection with snap-out side skirts for additional cable entry. The power tapping plate, single stud variant provides convenient additional termination points for small cables.

Features & Benefits:

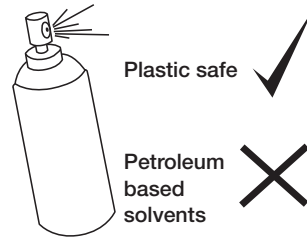
- Power tapping plate converts from a single stud, adding four connection points for smaller cables, but preserving access for larger cables
- Modular sizing and common Pro Installer interconnection height
- Can be used for positive or negative connections
- Generous stud lengths allow securing of three 95mm² (3/0) cable lugs
- Innovative clear covers provide insulation/protection, with "snap outs" for extra cable access as required
- Label recess on cover allows fitting up to 1/2" width (12.7mm) printed labels
- Snap out partition on double stud base provides insulation to separate studs for isolated (positive/negative) application. Snapping this partition allows easy linking of the studs
- Insert moulded studs offer superior mechanical strength
- Four mounting holes in base allow installer choice of using two, or four fastenings depending on level of securing required
- Designed for the harsh marine environment

Specifications:

- Power tapping plate: 4x 4mm (5/16") terminals, with captive lock washers
- Maximum current power tapping plate: 50A per terminal (4x 50A maximum)
- Maximum current on stud: Not defined, as current does not pass through the stud
- 50 VDC
- High temperature, fibre reinforced plastic base provides strength and chemical resistance
- Clear polycarbonate cover
- Stainless steel studs/screws, and nuts for longevity in the marine environment
- All threads are metric

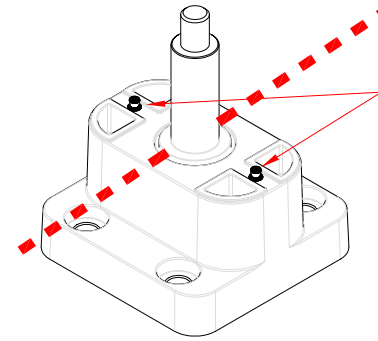
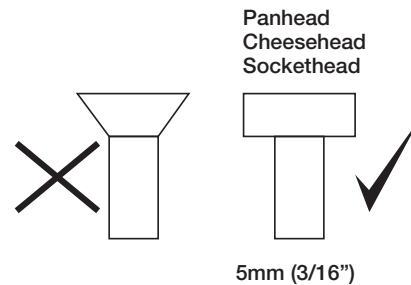
IMPORTANT! Read before installing

- Use only "plastic safe" corrosion inhibiting sprays. Do not wipe solvents/petrochemicals onto the clear polycarbonate covers. These chemicals can affect the plastic, resulting in deteriorated properties such as opacity, and brittleness
- Ensure all cables are sized correctly for the loads they carry. Please refer to the BEP website (www.bepmarine.com) to calculate correct cable sizes
- Ensure electrical connections are correctly tightened! Loose, high power connections are capable of damaging equipment or starting fires. See torque figures on facing page, alternatively use a ring spanner of the correct size and tighten until firm



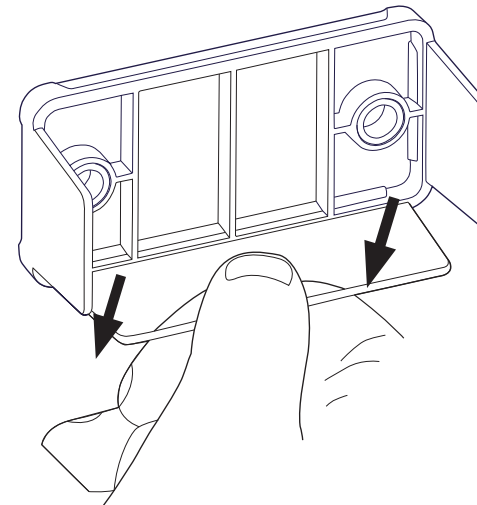
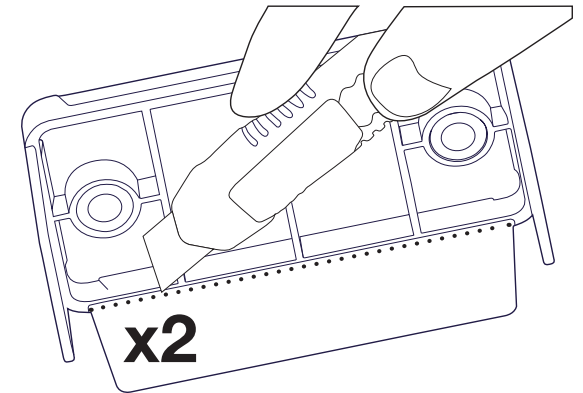
Installation Instructions:

1. Choose mounting location in dry, interior location
2. Select screws for mounting, 5mm (3/16"). Use only pan head or similar type screws
3. For most installations 2 mounting screws are adequate, however extra screw holes have been provided for additional security as required
4. Screw the fuseholder into chosen location



For single studs without the power tapping plate, fit cables from either side (as per dotted lines), or for different orientations remove indicated plastic "knobs"

5. For single studs, ensure that cable lugs enter from either side, or remove indicated small plastic "knobs" used to locate the power tapping plates (see above)
6. Ensure that spring washers are in place beneath cable retaining nuts
7. Recommended torques:
 - 8mm (5/16") studs: 12.5 Nm (9.2 lbf)
 - 10mm (3/8") studs: 21.5 Nm (15.9 lbf)



8. To remove snap-out sections of cover for additional cable access
 - Using a sharp knife, scratch/score twice along the snap-off line
BEWARE: PLEASE TAKE CARE WITH CRAFT KNIVES
 - Then snap-off the section to be removed
9. Fit cover
10. Ensure that cables are securely fastened and strain relieved as per ABYC/ISO or other applicable standards