

clarion®

Owner's manual & Installation manual
Mode d'emploi et manuel d'installation
Manual de instrucciones y de instalación

XC 2510

XC 2410

XC 2110

XC AMPLIFIERS
AMPLIFICATEURS XC
AMPLIFICADORES XC

Thank you for purchasing this **Clarion** product.

- Please read this owner's manual in its entirety before operating this equipment.
- After reading this manual, keep it handy, such as in your glove compartment.
- Save your sales receipt. The warranty at the end of this manual and your sales receipt are essential for warranty service.

FCC Approval

This equipment has been tested and found to comply with the limits for a Class B digital device, pursuant to Part 15 of the FCC Rules. These limits are designed to provide reasonable protection against harmful interference in a residential installation. This equipment generates, uses, and can radiate radio frequency energy and, if not installed and used in accordance with the instructions, may cause harmful interference to radio communications. However, there is no guarantee that interference will not occur in a particular installation. If this equipment does cause harmful interference to radio or television reception, which can be determined by turning the equipment off and on, the user is encouraged to consult the dealer or an experienced radio/TV technician for help.

CLARION PRODUCT REGISTRATION INFORMATION

For USA and Canada only

www.clarion.com

Dear Customer:

Congratulations on your purchase of a Clarion mobile electronic product. We are confident that you'll enjoy your Clarion experience.

There are many benefits to registering your product. We invite you to visit our website at www.clarion.com to register your Clarion product.

We have made product registration simple with our easy to use website. The registration form is short and easy to complete. Once you're registered, we can keep you informed of important product information.

Register at www.clarion.com - it's easy to keep your Clarion product up to date.

Contents

1. FEATURES	4
2. PRECAUTIONS	5
Installation	5
3. CONTROLS	6
4. OPERATIONS	8
Setting the operating level	8
Improving bass sound	8
Designing a more advanced system	8
Connecting a source unit without RCA outputs	8
Care and maintenance	9
5. INSTALLATION AND WIRING	9
What is included in the box	9
Mounting precautions	9
Wiring precautions	10
Power and speaker connections	11
Applications	12
Setting the gain	14
Setting the crossover	15
Setting the bass boost	15
Final system checks	15
6. TROUBLESHOOTING	16
7. GLOSSARY	17
8. SPECIFICATIONS	17
9. LIMITED WARRANTY INFORMATION	19
Manuel de L'utilisateur (French)	20
Manual del Propietario (Spanish)	38

1. FEATURES

The Clarion XC2510, XC2410, and XC2110 amplifiers fit a variety of system configurations and provide these features:

- Full frequency response with low distortion and exceptional signal-to-noise performance.
- Advanced circuitry design provides bridgeable outputs for use in a variety of applications.
- Independent electronic crossovers, each with a 12dB per octave slope and full adjustment range (from 35Hz to 250Hz) to aid in audio system design.
- Bass boost circuit to reinforce low frequency signals that may be lost due to subwoofer box design.
- Adjustable input level controls with ground loop isolation to accept a wide range of input signals.
- Remote turn-on with “soft start” muting to prevent turn-on “thump”.
- Protection circuits for overheating and speaker shorts.
- 2-Ohm load capable of driving a variety of speaker systems.
- Nickel-plated input/output connectors and an on-board ATC-type fuse.
- Nickel heat sink for efficient heat dissipation.
- Low profile, compact footprint to accommodate space limitations.

2. PRECAUTIONS

- Do not operate this product in ways other than those described in this manual.
- Do not disassemble or modify this product.
- Do not pour liquid or poke foreign objects into the unit. Water and humidity will damage internal circuitry.
- If the unit becomes wet, turn off all power and ask your authorized Clarion dealer to clean or service the unit.

Failure to observe these precautions may damage your car or the amplifier, and may void the warranty.

WARNING!

Exposure to continuous sound levels of 85dB or higher may result in hearing loss. Although Clarion products are capable of producing high sound pressure levels, please use your product at reasonable levels.

While operating your vehicle, please observe all local sound ordinances for your safety.

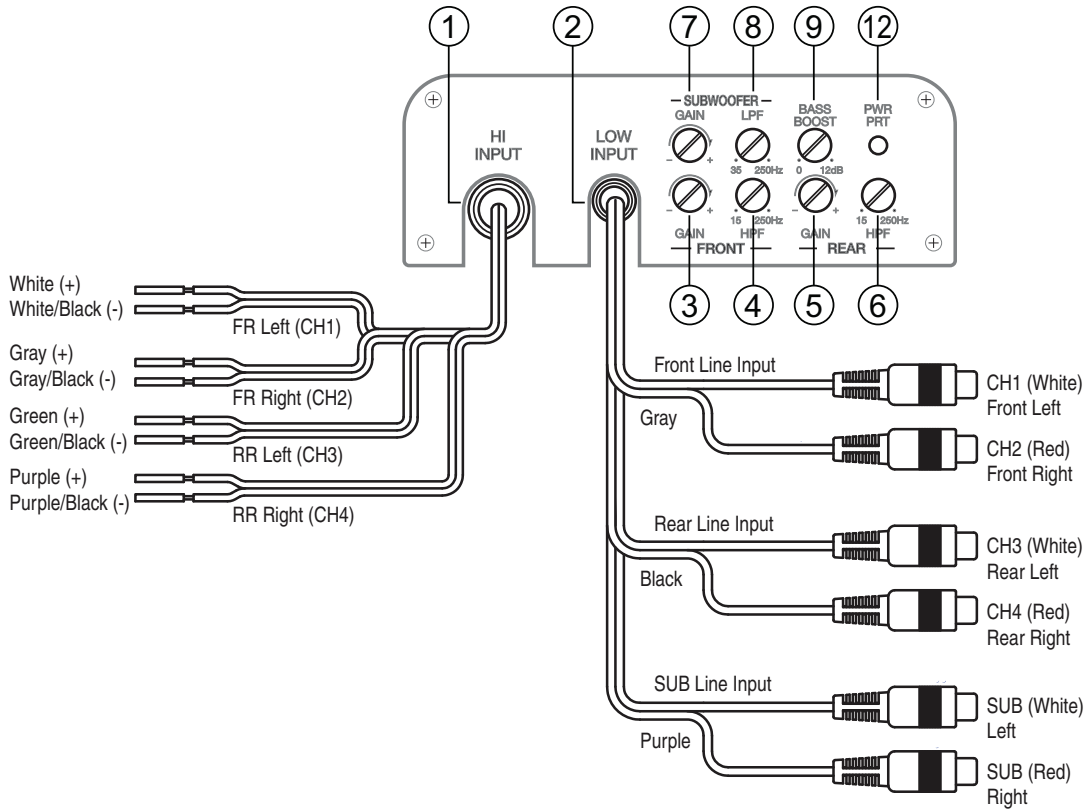
Installation

Installation of mobile audio and video components requires experience with a variety of mechanical and electrical procedures. Although this manual provides general installation and operation instructions, it does not show the exact installation methods for your particular application.

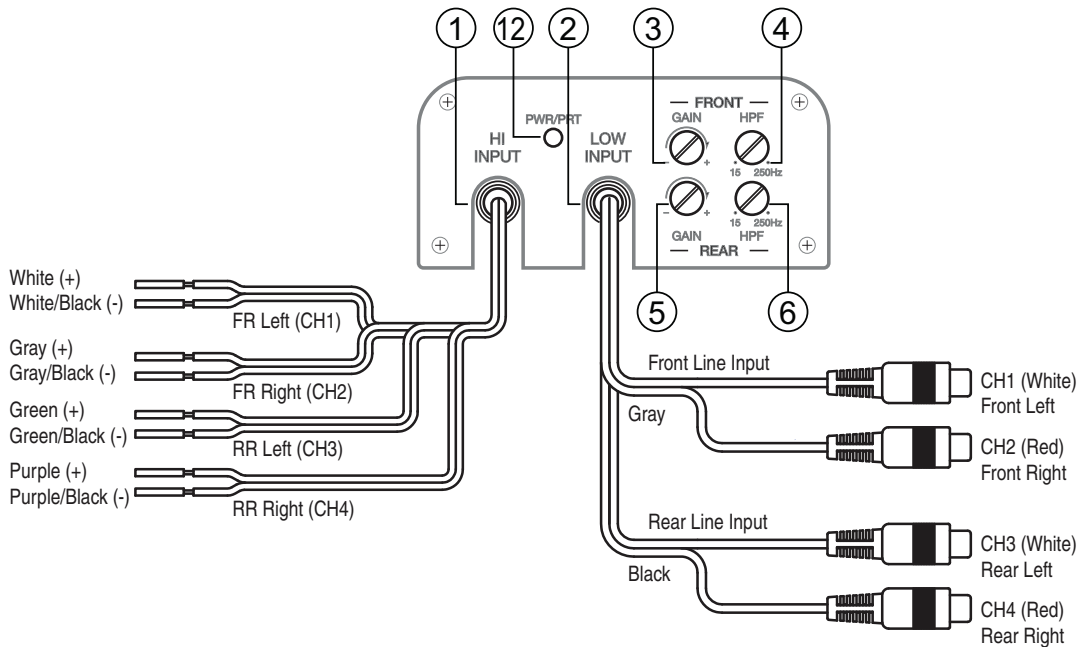
If you do not have the required knowledge and experience to successfully complete the installation, consult an authorized Clarion dealer about professional installation options.

3. CONTROLS

XC2510 controls and input connections

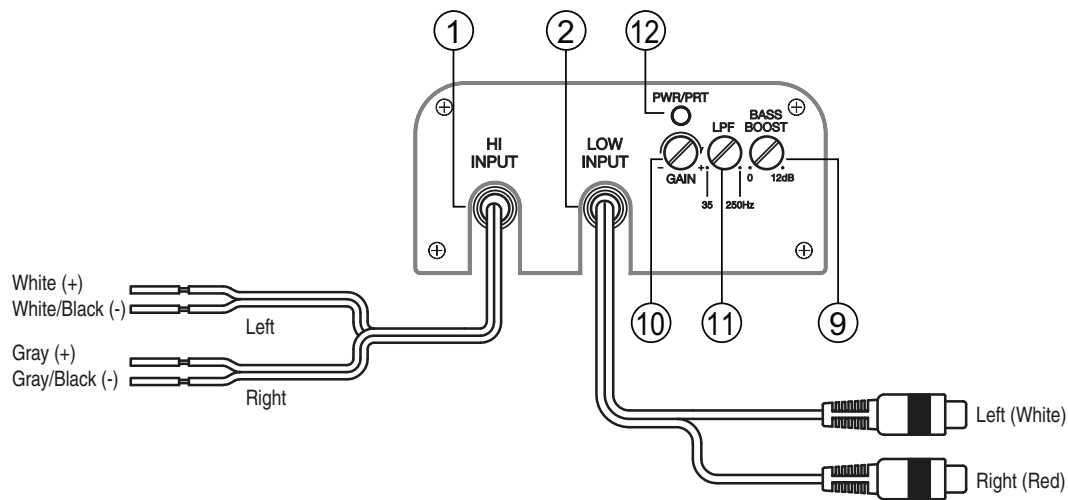


XC2410 controls and input connections



3. CONTROLS

XC2110 controls and input connections



1. HI Input connection cables for CH1 (Front LT), CH2 (Front RT), CH3 (Rear LT), CH4 (Rear RT)
2. LOW Input RCA jacks for CH1 (Front LT), CH2 (Front RT), CH3 (Rear LT), CH4 (Rear RT), Subwoofer
3. Front gain control
4. Front Hi-Pass X-Over control
5. Rear gain control
6. Rear Hi-Pass X-Over control
7. Subwoofer gain control
8. Subwoofer Low-Pass X-Over control
9. Bass Boost control
10. Gain control
11. Low-Pass X-Over control
12. Status indicator light

4. OPERATIONS

Setting the operating level

The gain controls allow you to set the nominal operating level of the amplifier from 200mV to 8V for RCA inputs or 600mV to 20V for speaker level inputs. This wide adjustment range accommodates virtually any source unit brand.

Improving bass sound

The amplifiers feature a narrow-frequency band bass boost circuit (known as “high-Q”). The bass boost control acts much like an equalizer with switchable gain fixed at 50Hz.

Use this control to tune low-frequency audio response to compensate for a less than ideal subwoofer enclosure design. The added boost produces rich, full bass tones that are normally difficult to reproduce in the car audio environment.

Note:

If you don't want to boost the bass frequencies, set this control to minimum.

Designing a more advanced system

Freq (Hz) controls

The high pass crossover frequency is fully adjustable between 35Hz and 250Hz (35Hz-250Hz on the low-pass crossover XC2110). Use the high-pass/low-pass filter controls, along with your speaker manufacturer's recommended crossover frequencies, to quickly design a more advanced system.

X-Over mode switches

These switches are equipped with 12dB per octave electronic filters for precise frequency attenuation with minimal phase distortion.

Connecting a source unit without RCA outputs

The speaker level inputs provide connections for a high-level stereo source. Use them if your source unit does not have RCA outputs.

Care and maintenance

Cleaning the product

Use a soft, dry cloth to gently wipe dust and dirt from the unit.

Do not use window cleaners, household cleaners, aerosol sprays, solvents, alcohol, ammonia, or other cleaners. These substances may damage the unit.

Servicing the product

In the event that trouble arises, never open the case or disassemble the unit. The internal parts are not serviceable by the user. Opening any components will void the warranty.

CAUTION!

Changes or modifications to this product not approved by the manufacturer will void the warranty and will violate FCC approval.

5. INSTALLATION AND WIRING

Read these instructions and the following precautions carefully.

What is included in the box

In addition to this manual, the box contains:

- Amplifier
- (4) Self tapping screws
- (4) Washers

Mounting precautions

If you lack the necessary skills, do not install the amplifier yourself. See your authorized Clarion dealer for installation recommendations.

- This unit is exclusively for applications with a negative ground, 12V power supply.
- This unit requires additional mobile audio components for proper operation.
- Choose a location in the application that provides adequate ventilation around the amplifier. Although any moving air dissipates heat, cool air should run along the length of the fins rather than across them.

CAUTION!

Although Clarion amplifiers include heat sinks and protection circuits, mounting an amplifier in a tight space without any air movement will damage the unit's internal circuitry over time.

- Mount the amplifier on a rigid surface away from subwoofer enclosures or to any area that is prone to vibration. Do not install the amplifier on plastic or on any other combustible material.
- For easy system setup, mount the amplifier so that the panel controls are accessible after installation.
- Always use great care when attaching anything to a surface! Check clearances on all sides of the planned installation before drilling any holes or installing any screws.
- Make sure the holes you drill will not cut into the fuel tank, fuel lines, hydraulic lines (under the chassis) or electrical wiring.

Wiring precautions

Read all wiring precautions. If you are not sure of the connections, contact your authorized Clarion dealer.

- Before you start, make sure the source unit's power switch is off.

WARNING!

To prevent short circuits during installation, disconnect the vehicle's negative (-) battery lead before making any power connections.

- Extra cable can cause signal loss and act as an antenna for noise. Use only high quality RCA cables that are no longer than necessary to make a direct connection with the source unit and amplifiers.
- Make sure each connection is clean and secure. Insulate final connections with electrical tape or shrink tubing.

CAUTION!

Improper connections may damage the equipment.

- When routing RCA cables, keep the cables away from the power cables and output speaker wires.
- A good chassis ground connection is critical to minimize resistance and avoid noise problems. Use the shortest wire possible. Clean off any paint prior to making connections. Securely connect the ground wire to the chassis and the source unit ground.
- Add an external fuse to the amp's positive (+) power lead and connect it as close as possible to the vehicle's plus (+) battery terminal. Use a fuse rated to the total current consumption of the amplifier. Adding an external fuse protects the electrical system from short circuits that can result in a fire.
- Do not open the case. There are no user-serviceable parts inside. If you require assistance, consult your Clarion dealer or an authorized Clarion service center.

Power and speaker connections

XC2510

Power connector

- Ground (-)
- Battery (+12V)
- Battery (+12V)
- Ground (-)



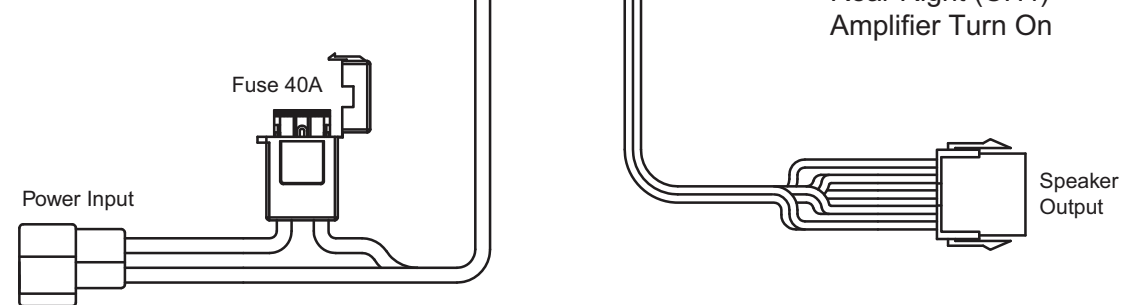
Speaker output

- Front Left (CH1)
- Front Right (CH2)
- Rear Left (CH3)
- Rear Right (CH4)
- Subwoofer (CH5)
- Amplifier Turn On

XC2410

Power connector

- Battery (+12V)
- Ground (-)



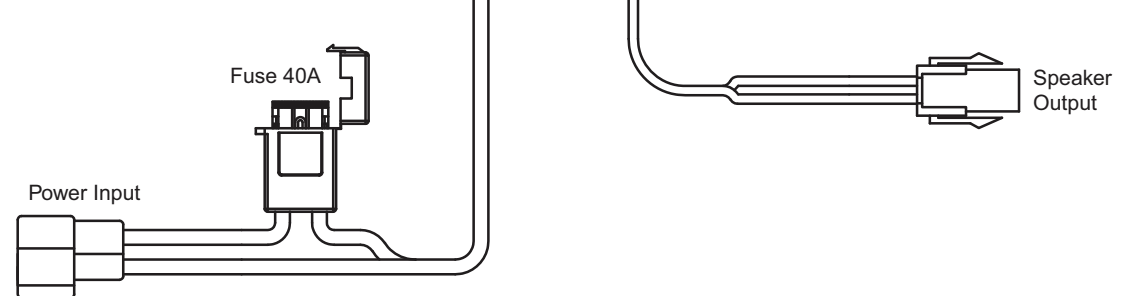
Speaker output

- Front Left (CH1)
- Front Right (CH2)
- Rear Left (CH3)
- Rear Right (CH4)
- Amplifier Turn On

XC2110

Power connector

- Battery (+12V)
- Ground (-)



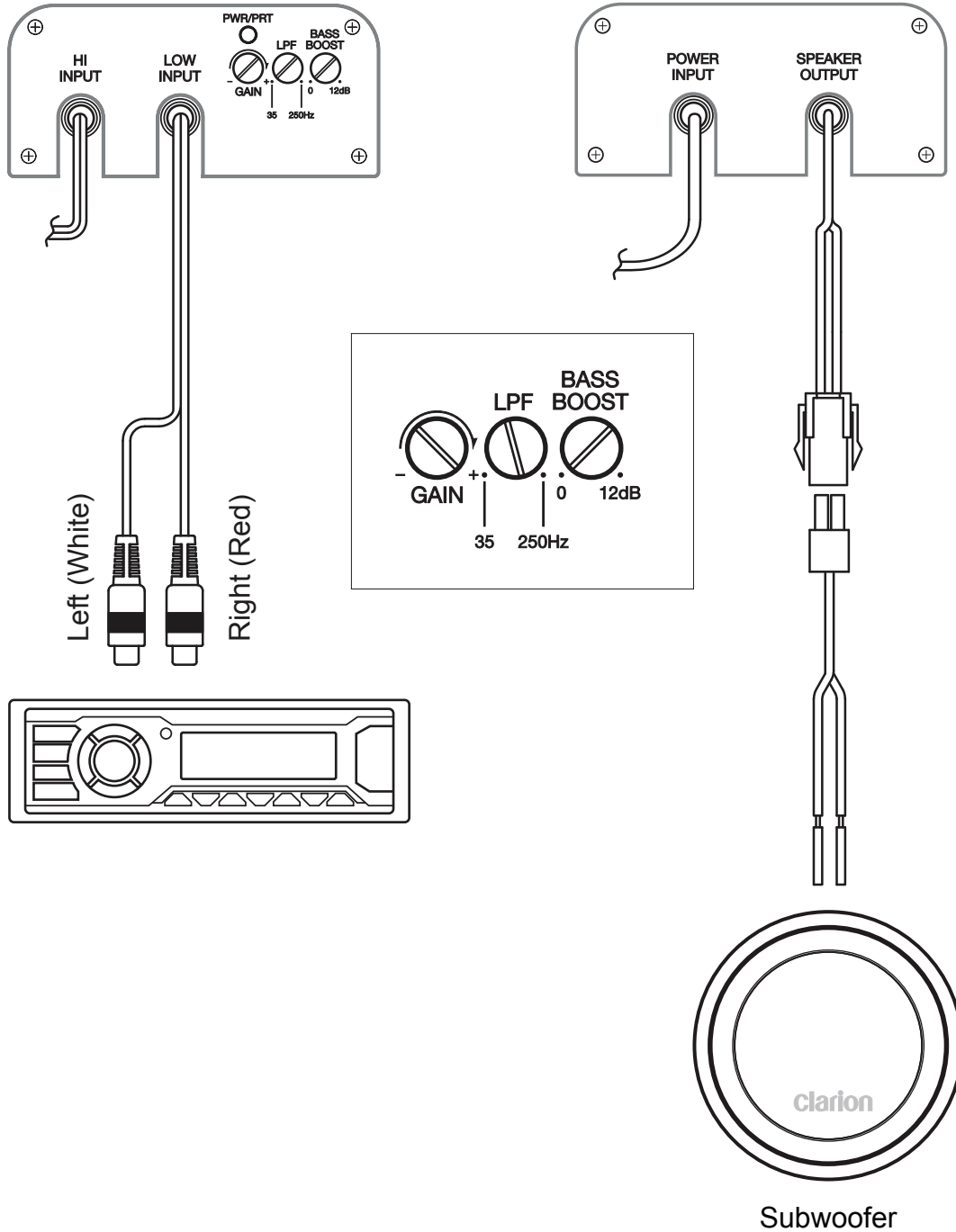
Speaker output

- Subwoofer
- Amplifier Turn On

Applications

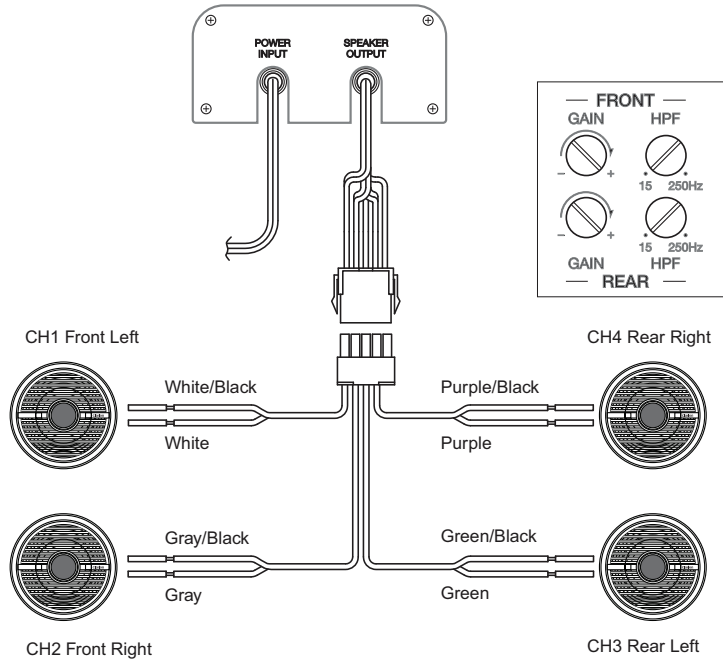
Mono subwoofer system

This application shows the amplifier in mono operation to drive a subwoofer.



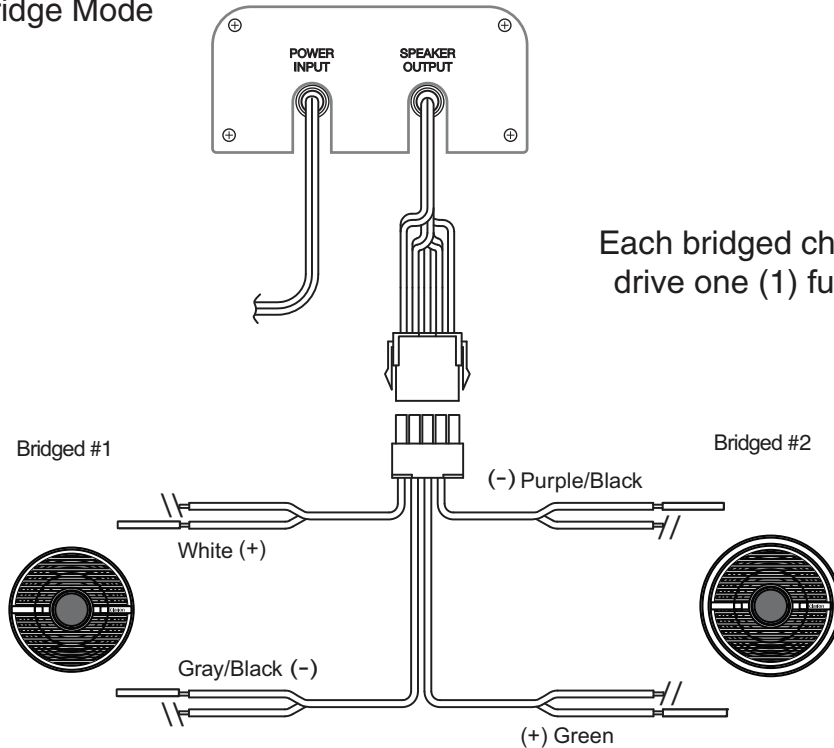
Four-channel stereo system

In this application, the XC2410 is used as a four-channel amplifier to drive four full-range speakers in stereo.



Bridged Mode

In this application, the XC2410 can be wired for Bridge Mode



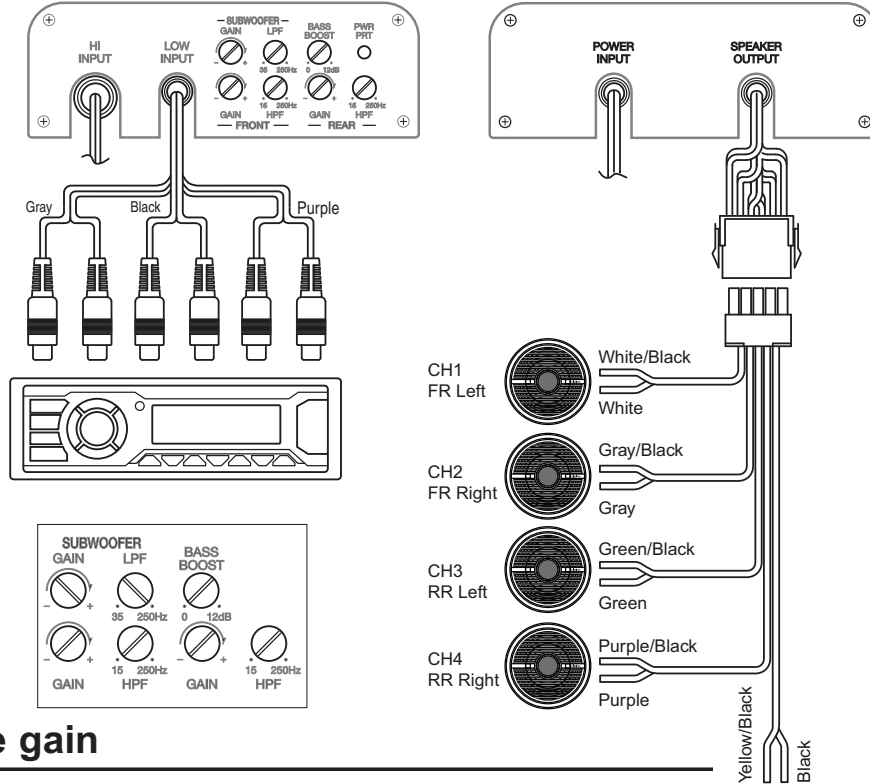
Each bridged channel of the XC2410 can drive one (1) full-range 4-ohm speaker.

Bridged Power Output

Refer to the Specifications in Section 8 (Pg. 17) of the manual for additional information on Bridge Mode.

Single amplifier combination system

In this application, the XC2510 is used to drive a full system.



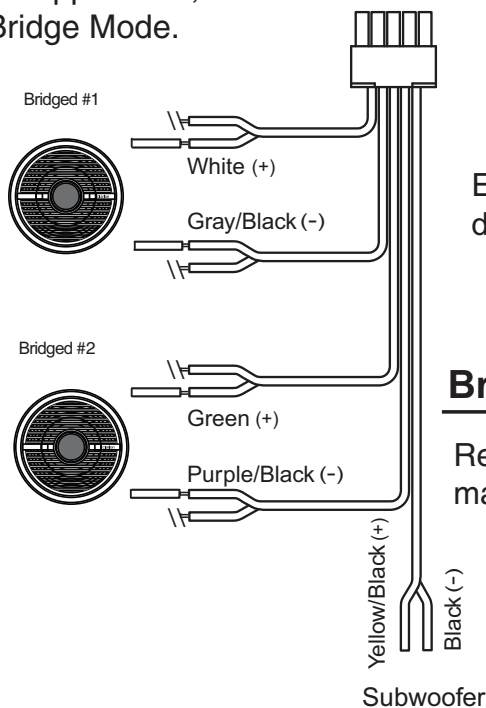
Setting the gain

After completing the installation, follow these steps to set the gain control and perform the final system checks.

1. Turn the gain control all the way counterclockwise.
2. Turn the ignition switch on.

Bridged Mode

In this application, the XC2510 can be wired for Bridge Mode.



Each bridged channel of the XC2510 Amplifier can drive one (1) full-range 4-ohm speaker.

Bridged Power Output

Refer to the Specifications in Section 8 (Pg.17) of the manual for additional information on Bridge Mode.

3. Turn the source unit on.
4. Set all tone or equalization controls to flat positions and turn loudness off.
5. Play music content and set the volume control to 75% of full level.

Note:

If the system uses an equalizer, set all frequency controls to the flat position.

6. Slowly increase the gain control. Stop when you hear a slight audio distortion.

Setting the crossover

Clarion amplifiers feature fully-adjustable crossovers.

1. The XC2410 is equipped with high-pass crossovers, the XC2110 is equipped with low-pass crossovers, and the XC2510 is equipped with high-pass crossovers on channels 1-4, and low-pass crossover on channel 5.
2. Using the Freq (Hz) control, select the frequency.

Setting the bass boost

1. Initially set the bass boost control to off.
2. Listen to a variety of music styles (for example, rock, rap, etc.) and switch the bass boost control on until you notice an increase in low bass response.

CAUTION!

If you hear a pop caused by speaker overexertion, lower the bass boost to prevent damage to the speaker.

Final system checks

1. Start the engine and turn on the source unit. (Please make sure vehicle is outdoors or has adequate ventilation for exhaust fumes)
2. After a two-second delay, slowly increase the volume control and listen to the audio.
If you hear any noise, static, distortion or no sound at all, check the connections and refer to Troubleshooting. Depending on your system, the volume may become quite loud even at low level settings. Until you get an “audio feel” for the system’s power, use care when adjusting the controls.
3. Turn the balance controls to their extreme positions and listen to the results. Audio output should match control settings (audio from the left speaker when balance is left).
4. Increase the volume and verify that the amplifier reproduces the audio at full frequencies without distortion.
If you hear distortion check the connections and verify that the gain control is set correctly. Another cause of distortion could be underpowered or damaged speakers. Refer to Troubleshooting.

6. TROUBLESHOOTING

No Audio

- Low or no remote turn-on voltage: check remote connections at the amplifier and source unit.
- Blown amplifier fuse: replace with a new fast-blow fuse (same rating).
- Power wires not connected: check battery and ground wiring at the amplifier and check the battery connections.
- Speaker leads shorted: check speaker continuity to ground; it should not show a common ground.
- Speakers not connected or are blown: check speaker connections at the amplifier; measure coil impedance.

Audio cycles on and off

- Thermal protection circuits are shutting the amplifier off.
- Check the location for adequate ventilation. Consult an authorized Clarion audio dealer.

Distorted audio

- Gain is not properly set or the speaker cones are damaged.
- Review the instructions for setting the gain. Inspect each speaker cone for signs of damage, such as a frozen cone, burning smell, etc.

Amplifier fuse keeps blowing

- The wiring is connected incorrectly or there is a short circuit.
- Review the installation precautions and diagram in this manual and check all wiring connections.

Whining or ticking noise when engine on

- The amplifier is picking up alternator or radiated noise.
- Turn down input gain.
- Move the audio cables away from the power wires.
- Check the power and ground connections on the amplifier and install an in-line noise filter on the source unit's power wire.
- Check the alternator and/or voltage regulator. Test for a weak battery or add water to the battery.

7. GLOSSARY

Crossover: A device that limits the range of frequencies sent to a speaker or amplifier.

dB: decibel, a measurement of the relative difference in power or intensity between two acoustic signals.

Equalizer: Component that boosts or cuts sound signal frequencies to improve the quality of the sound.

Gain control: gain is the amount of amplification (voltage, current or power) of an audio signal expressed in dB.

Hz: Abbreviation for Hertz, a unit of frequency equal to one cycle per second.

Octave: the musical principle of dividing sound frequencies into the eight notes of the musical scale.

Ohm: unit of electric resistance

RCA input/output: port through which sound travels in and out of the system; “RCA” refers to the type of connector, which was first manufactured by the Radio Corporation of America.

Slope: how fast the sound gets quieter rated in dBs. The higher the dB number, the faster the frequency drops off.

8. SPECIFICATIONS

Note:

The technical data and the design of the equipment may change without prior notice for the sake of technical improvements.

XC2510

Maximum power output	700W
Continuous rated power *	50W x 4 + 200W x 1
Typical power in 2 Ohms load **	75W x 4 + 300W x 1
Typical power in 4 Ohms bridged mode **	150W x 2
IM distortion	≤ 0.1%
S/N (A-weighted)	≥ 70dB
Channel separation	≥ 48dB
Frequency response	20Hz-30kHz full range
Line level input sensitivity	200mV to 8 Volts
Speaker level input sensitivity	600mV to 20 Volts
Input impedance	22kOhm
Allowable battery voltage	9.6 to 15.6 Volts
Size (W x L x H)	11" (280mm) x 4-3/8" (110mm) x 1-1/2" (39mm)

* THD ≤ 1%, 20Hz-20kHz, into 4 Ohms, @14.4V, all channels driven

** THD ≤ 1%, 20Hz-20kHz, @14.4V, all channels driven

XC2410

Maximum power output	400W
Continuous rated power *	50W x 4
Typical power in 2 Ohms load **	75W x 4
Typical power in 4 Ohms bridged mode **	150W x 2
IM distortion	≤ 0.1%
S/N (A-weighted)	≥ 70dB
Channel separation	≥ 48dB
Frequency response	20Hz-30kHz full range
Line level input sensitivity	200mV to 8 Volts
Speaker level input sensitivity	600mV to 20 Volts
Input impedance	22kOhm
Allowable battery voltage	9.6 to 15.6 Volts
Size (W x L x H)	7-3/16" (182mm) x 3-1/4" (82mm) x 1-1/2" (39mm)

* THD ≤ 1%, 20Hz-20kHz, into 4 Ohms, @14.4V, all channels driven

** THD ≤ 1%, 20Hz-20kHz, @14.4V, all channels driven

XC2110

Maximum power output	400W
Continuous rated power *	200W x 1
Typical power in 2 Ohms load **	300W x 1
Typical power in 4 Ohms bridged mode **	N/A
IM distortion	≤ 0.1%
S/N (A-weighted)	≥ 70dB
Channel separation	Mono
Frequency response	20Hz-30kHz
Line level input sensitivity	200mV to 8 Volts
Speaker level input sensitivity	600mV to 20 Volts
Input impedance	22kOhm
Allowable battery voltage	9.6 to 15.6 Volts
Size (W x L x H)	8" (202mm) x 3-1/4" (82mm) x 1-1/2" (39mm)

* THD ≤ 1%, 20Hz-20kHz, into 4 Ohms, @14.4V, all channels driven

** THD ≤ 1%, 20Hz-20kHz, @14.4V, all channels driven

9. LIMITED WARRANTY INFORMATION

For USA and Canada only

This Clarion product purchased from an authorized Clarion dealer are warranted against all defects in materials and workmanship for a period of **one (1) year** from the date of original purchase, when purchased from **AND** installed by an authorized Clarion dealer.

All Clarion cables, wires and other accessories if purchased from an authorized Clarion dealer are warranted against all defects in materials and workmanship for ninety (90) days from the date of original purchase.

ALL PURCHASES OF CLARION PRODUCTS FROM NON-AUTHORIZED CLARION DEALERS ARE SUBJECT TO FURTHER WARRANTY RESTRICTIONS AS DESCRIBED BELOW.

The conditions of this Limited Warranty and the extent of responsibility of Clarion Corporation of America ("Clarion") under this Limited Warranty are as follows :

- 1. PROOF OF DATE OF PURCHASE FROM AN AUTHORIZED CLARION DEALER WILL BE REQUIRED FOR WARRANTY SERVICE OF THIS PRODUCT. CENTERS MAY BE OBTAINED BY CONTACTING CLARION AT THE ADDRESS LISTED BELOW.**
2. This Limited Warranty will become void if service performed by anyone other than an approved Clarion Warranty Service Center results in damage to the product.
3. This Limited Warranty does not apply to any product which has been subject to misuse, neglect or accident, or which has had the serial number altered, defaced or removed, or which has been connected, installed, adjusted or repaired, other than in accordance with the instructions furnished by Clarion.
4. This Limited Warranty does not cover car static or other electrical interferences, tape head or laser pick-up cleaning or adjustments, or labor costs for the removal or reinstallation of the unit for repair.
5. The sole responsibility of Clarion under this Limited Warranty shall be limited to the repair of the product or replacement of the product, at the sole discretion of Clarion.
6. Product must be shipped in its original carton or equivalent carton, fully insured, with shipping charges prepaid. Clarion will not assume any responsibility for any loss or damage incurred in shipping.
- 7. CLARION PRODUCTS PURCHASED FROM A SOURCE OTHER THAN AN AUTHORIZED CLARION DEALER, INCLUDING ANY AND ALL PURCHASES VIA THE INTERNET FROM A NON INTERNET AUTHORIZED CLARION DEALER, SHALL NOT BE COVERED BY ANY CLARION LIMITED WARRANTY TO THE EXTENT ALLOWED BY APPLICABLE LAW. IN THE EVENT AND TO THE EXTENT APPLICABLE LAW PROHIBITS ELIMINATION OF WARRANTIES UNDER THESE CIRCUMSTANCES, THE APPLICABLE LIMITED WARRANTY PERIOD SHALL BE DEEMED TO BE FIFTEEN (15) DAYS FROM THE DATE OF ORIGINAL PURCHASE.**
- 8. ALL IMPLIED WARRANTIES EXCEPT TO THE EXTENT PROHIBITED BY APPLICABLE LAW SHALL HAVE NO GREATER DURATION THAN THE WARRANTY PERIOD SET FORTH ABOVE. UNDER NO CIRCUMSTANCES SHALL CLARION BE LIABLE FOR ANY LOSS OR DAMAGE, DIRECT OR CONSEQUENTIAL, ARISING OUT OF THE USE OR INABILITY TO USE THE PRODUCT. BECAUSE SOME STATES DO NOT ALLOW LIMITATIONS ON HOW LONG AN IMPLIED WARRANTY LASTS OR EXCLUSIONS OR LIMITATIONS OF INCIDENTAL OR CONSEQUENTIAL DAMAGES, THE ABOVE LIMITATIONS OR EXCLUSIONS MAY NOT APPLY TO YOU.**
- 9. THIS LIMITED WARRANTY GIVES YOU SPECIFIC LEGAL RIGHTS, AND YOU MAY ALSO HAVE OTHER RIGHTS WHICH VARY FROM STATE TO STATE.**
10. The laws of the State of California shall govern and control this Limited Warranty, its interpretation and enforcement.
11. Should you have any difficulties with the performance of this product during the warranty period, please call Clarion or visit our web site for a listing of Authorized Warranty Service Centers in your area. You may also contact Clarion Customer Service at the address listed below for any service help you may need with Clarion products.

In USA:
Clarion Corporation of America
Attn:Customer Service Manager
6200 Gateway Drive
Cypress, CA 90630
1-800-GO-CLARION
www.clarion.com

In Canada:
Clarion Canada Inc.
Warranty Service Center
2239 Winston Park Drive
Oakville, Ontario L6H 5R1
(905) 829-4600
www.clarion.com

Clarion Corporation of America

All Rights Reserved. Copyright © 2015 Clarion Corporation of America
Printed in China / Imprime au Chiné / Impreso en China

Ce produit Clarion vendu par un marchand autorisé Clarion est garanti contre tous défauts de matériel et de fabrication pour une durée **d'un (1) an** à compter de la date de vente initiale lorsque l'achat est effectué chez un marchand autorisé Clarion; les items tels les piles sont couverts par une garantie de 6 mois suivants la date d'achat. Tous câblages, fils et autres accessoires Clarion achetés chez un marchand autorisé Clarion, sont garantis contre tous défauts de matériel **ET** de fabrication pour une durée de quatre-vingt-dix (90) jours suivant la date d'achat initiale.

TOUT ACHAT DE PRODUITS CLARION EFFECTUÉ CHEZ UN MARCHAND NON-AUTORISÉ CLARION SERA SOUMIS À DES RESTRICTIONS DE GRANANTIES DÉCRITES CI-DESSOUS.

Les conditions de cette garantie limitée et l'implication de la responsabilité de Clarion Corporation of America ou Clarion Canada Inc. "Clarion" sous cette garantie limitée sont les suivantes:

1. **UNE PREUVE DE DATE D'ACHAT D'UN MARCHAND AUTORISÉ CLARION EST REQUISE POUR SERVICE SOUS GARANTIE DE CE PRODUIT. DES INFORMATIONS SUPPLÉMENTAIRES CONCERNANT LES CENTRES DE SERVICES AUTORISÉS PAR CLARION PEUVENT ÊTRE OBTENUES EN CONTACTANT CLARION À UNE DES ADRESSES ÉNUMÉRÉES CI-BAS.**
2. Cette Garantie Limitée sera annulée si un dommage est survenu au bien lors d'un service effectué par une personne ou entreprise qui n'est pas accrédité comme un Centre de Service et Garantie Clarion.
3. Cette Garantie Limitée n'est aucunement applicable à un produit sujet à l'abus, négligence, accidentés, mal installé ou utilisation incorrects ou que les numéros de série ont été modifiés, obstrués ou effacés, ou qui a été raccordés, installés, ajustés ou réparés autrement qu'indiqué par Clarion.
4. Cette Garantie Limitée ne couvre pas les interférences électrostatiques, électriques ni les frais reliés à la manutention pour le retrait ou la réinstallation.
5. La responsabilité de Clarion sous cette Garantie Limitée est limitée uniquement à la réparation ou au remplacement du produit, qui est sujet uniquement à la discrétion de Clarion.
6. Ce produit doit est retourné dans son emballage d'origine ou équivalent. Le colis doit être entièrement assuré et tous frais de transport doivent être prépayés. Clarion n'assumera aucune responsabilité en cas de perte ou dommages survenue lors du transport.
7. **TOUS PRODUITS CLARION ACQUIS PAR L'ENTREMISE AUTRE QUE PAR UN MARCHAND AUTORISÉ PAR CLARION, INCLUANT TOUS ACHATS VIA UN MARCHAND VIRTUEL (ACHAT INTERNET) QUI N'EST PAS AUTORISÉ PAR CLARION, NE SONT PAS COUVERTS PAR LES GARANTIES LIMITÉES DE CLARION, ET CE, EN ACCORD AVEC LES LIMITATIONS DÉFINIES PAR LA LOI. DANS LE CAS OÙ LES LOIS APPLICABLES NE PERMETTENT PAS L'ÉLIMINATION DES GARANTIES SOUS CES CONDITIONS, LAPÉRIODE DE GARANTIE LIMITÉE QUI S'APPLIQUE AU PRODUIT SERA DE QUINZE(15) JOURS À PARTIR DE LA DATE D'ACHAT INITIALE.**
8. **AUCUNE GARANTIE IMPLICITE NE POURRA S'ÉTENDRE AU-DELÀ DE LA PÉRIODE DE GARANTIE DÉCRITE CI-DESSUS, ET CE, EN ACCORD AVEC LES LIMITES DÉFINIES PAR LA LOI. CLARION NE POURRA EN AUCUN CAS ÊTRE TENUE RESPONSABLE DES PERTES OU DOMMAGES DIRECTS OU INDIRECTS DUS À L'UTILISATION OU L'IMPOSSIBILITÉ D'UTILISATION DU PRODUIT. PUISQUE CERTAINS ÉTATS OU PROVINCES NE PERMETTENT PAS DE LIMITER LA DURÉE DES GARANTIES IMPLICITES, OU DE LIMITER LA RESPONSABILITÉ EN CAS DE DOMMAGES DIRECTS OU INDIRECTS, CES LIMITATIONS OU EXCLUSIONS PEUVENT NE PAS S'APPLIQUER À VOUS.**
9. **CETTE GARANTIE LIMITÉE VOUS DONNE DES DROITS LÉGAUX PRÉCIS. VOUS POUVEZ POSSÉDER DES DROITS SUPPLÉMENTAIRES SELON VOTRE LIEU DE RÉSIDENCE.**
10. Les lois de l'état de la Californie régissent totalement cette garantie limitée, son interprétation et sa mise en exécution.
11. Si vous éprouvez des problèmes de performance du produit pendant la période de garantie, veuillez communiquer avec Clarion ou visitez notre site Web à l'adresse ci-dessous afin d'obtenir une résolution de tout problème relié aux produits Clarion.

Aux États-Unis:
Clarion Corporation of America
Attn:Customer Service Manager
6200 Gateway Drive Cypress, CA 90630
1-800-GO-CLARION
www.clarion.com

Au Canada:
Clarion Canada Inc.
Centre de Service et Garantie
2239 Winston Park Drive
Oakville, Ontario L6H 5R1
(905)829-4600
www.clarion.com

Clarion[®]**CLARION 1 YEAR LIMITED WARRANTY**

For USA and Canada only

This Clarion product purchased from an authorized Clarion dealer are warranted against all defects in materials and workmanship for a period of **one (1) year** from the date of original purchase other than consumable parts, such as the battery pack, which are covered for 6 months from the date of purchase, when purchased from **AND** installed by an authorized Clarion dealer.

All Clarion cables, wires and other accessories if purchased from an authorized Clarion dealer are warranted against all defects in materials and workmanship for ninety (90) days unless otherwise specified from the date of original purchase.

ALL PURCHASES OF CLARION PRODUCTS FROM NON-AUTHORIZED CLARION DEALERS ARE SUBJECT TO FURTHER WARRANTY RESTRICTIONS AS DESCRIBED BELOW.

The conditions of this Limited Warranty and the extent of responsibility of Clarion Corporation of America ("Clarion") under this Limited Warranty are as follows :

1. **PROOF OF DATE OF PURCHASE FROM AN AUTHORIZED CLARION DEALER WILL BE REQUIRED FOR WARRANTY SERVICE OF THIS PRODUCT. CENTERS MAY BE OBTAINED BY CONTACTING CLARION AT THE ADDRESS LISTED BELOW.**
2. This Limited Warranty will become void if service performed by anyone other than an approved Clarion Warranty Service Center results in damage to the product.
3. This Limited Warranty does not apply to any product which has been subject to misuse, neglect or accident, or which has had the serial number altered, defaced or removed, or which has been connected, installed, adjusted or repaired, other than in accordance with the instructions furnished by Clarion.
4. This Limited Warranty does not cover car static or other electrical interferences, tape head or laser pick-up cleaning or adjustments, or labor costs for the removal or reinstallation of the unit for repair.
5. The sole responsibility of Clarion under this Limited Warranty shall be limited to the repair of the product or replacement of the product, at the sole discretion of Clarion.
6. Product must be shipped in its original carton or equivalent carton, fully insured, with shipping charges prepaid. Clarion will not assume any responsibility for any loss or damage incurred in shipping.
7. **CLARION PRODUCTS PURCHASED FROM A SOURCE OTHER THAN AN AUTHORIZED CLARION DEALER, INCLUDING ANY AND ALL PURCHASES VIA THE INTERNET FROM A NON INTERNET AUTHORIZED CLARION DEALER, SHALL NOT BE COVERED BY ANY CLARION LIMITED WARRANTY TO THE EXTENT ALLOWED BY APPLICABLE LAW. IN THE EVENT AND TO THE EXTENT APPLICABLE LAW PROHIBITS ELIMINATION OF WARRANTIES UNDER THESE CIRCUMSTANCES, THE APPLICABLE LIMITED WARRANTY PERIOD SHALL BE DEEMED TO BE FIFTEEN (15) DAYS FROM THE DATE OF ORIGINAL PURCHASE.**
8. **ALL IMPLIED WARRANTIES EXCEPT TO THE EXTENT PROHIBITED BY APPLICABLE LAW SHALL HAVE NO GREATER DURATION THAN THE WARRANTY PERIOD SET FORTH ABOVE. UNDER NO CIRCUMSTANCES SHALL CLARION BE LIABLE FOR ANY LOSS OR DAMAGE, DIRECT OR CONSEQUENTIAL, ARISING OUT OF THE USE OR INABILITY TO USE THE PRODUCT. BECAUSE SOME STATES DO NOT ALLOW LIMITATIONS ON HOW LONG AN IMPLIED WARRANTY LASTS OR EXCLUSIONS OR LIMITATIONS OF INCIDENTAL OR CONSEQUENTIAL DAMAGES, THE ABOVE LIMITATIONS OR EXCLUSIONS MAY NOT APPLY TO YOU.**
9. **THIS LIMITED WARRANTY GIVES YOU SPECIFIC LEGAL RIGHTS, AND YOU MAY ALSO HAVE OTHER RIGHTS WHICH VARY FROM STATE TO STATE.**
10. The laws of the State of California shall govern and control this Limited Warranty, its interpretation and enforcement.
11. Should you have any difficulties with the performance of this product during the warranty period, please call Clarion or visit our web site for a listing of Authorized Warranty Service Centers in your area. You may also contact Clarion Customer Service at the address listed below for any service help you may need with Clarion products.

In USA:
Clarion Corporation of America
Attn:Customer Service Manager
6200 Gateway Drive
Cypress, CA 90630
1-800-GO-CLARION
www.clarion.com

In Canada:
Clarion Canada Inc.
Warranty Service Center
2239 Winston Park Drive
Oakville, Ontario L6H 5R1
(905) 829-4600
www.clarion.com