



UEM

UNIVERSAL ENGINE MONITORS

PLUG AND PLAY ENGINE MONITORS DESIGNED TO BE USED WITH ALL ENGINE TYPES. INCLUDING ANALOGUE, J1939 & NMEA 2000 ENGINES.

The range incorporates a variety of types and screen sizes from a round 3" display to a slimline 7" display. Each model of display has varying levels of the number and type of inputs.

The software is common across the range supporting inputs from Analogue, J1939 and NMEA 2000 engines that can be configured via the setup menu.

The UEM software provides selectable icon based display layouts; including a comprehensive text based fault warning and acknowledgement system and a series of "hidden until lit" alarm lamps.

Primary display options include parameters related to Engine Status, and Alarms as well as Fuel Level, Rudder Angle, Trim, Depth, Speed and Heading. Data is available in several formats and measurement units.

The UEM includes a "gateway" feature that converts inputs (including Analogue signals, J1939 and NMEA0183 for GPS) to NMEA 2000 allowing engine data to be broadcast for display on other onboard multi-function displays.

Key Features:

- > Compatible with Multiple Engine Types / Brands
- > All Common Engine Parameters Shown
- > All Triggered Alarms Shown
- > NMEA 2000 Gateway For Transmission to Other MFDs
- > IP67 All-Round Protection
- > Plug and Play Installation
- > Button Operated and Touch Screen Models Available

Kit Includes:

- > Display Preloaded with UEM Software
- > Protective Cover
- > Harness Cabling Selectable Options Either: Universal Including (J1939, NMEA2000 and Analogue) or J1939 only

Range Comparison

	R3	R3s	C3	C3I	T5	T7i
Display range						
Screen Size	3" LCD	2.8" LCD	3.5" LCD	3.5" LCD	5" LCD	7" LCD
Type	PCAP Touch	Button	Button	Button	PCAP Touch	PCAP Touch
Brightness	850 NIT	750 NIT	750 NIT	750 NIT	1000 NIT	800 NIT
Data Types / Sources						
J1939	✓	✓	✓	✓	✓	✓
NMEA2000	✓	✓	✓	✓	✓	✓
Analogue Inputs	6 +TACH	-	7 + TACH	7 + TACH	1	1
Gateway to NMEA2000	✓	✓	✓	✓	✓	✓
GPS Input	NMEA 0183	-	NMEA 0183	NMEA 0183	NMEA 0183	NMEA 0183
External Alarm	✓	✓	✓	✓	✓	✓
Diagnostics						
J1939 DM1	✓	✓	✓	✓	✓	✓
J1939 DM2	✓	✓	✓	✓	✓	✓
CAN Logger	✓	✓	✓	✓	✓	✓
CAN Viewer	✓	✓	✓	✓	✓	✓
Display / Electrical						
Power Requirements	10-32V	10-32V	10-32V	10-32V	8-32V	8-32V
Connection						
Deutsch Ports	2 x 12 pin	1 x 12 pin	2 x 12 pin	2 x 12 pin	-	-
M12 Ports	-	-	-	-	5	5
USB Ports	1 x Type A	1 x Type A	1 x Type A	1 x Type A	1 x Type A	1 x Type A
Communications						
CAN Bus Ports	1	2	2	2	2	2
Environmental / Mechanical						
Operating Temp	-30 to +77°C	-20 to +70°C	-40 to +70°C	-40 to +70°C	-20 to +70°C	-30 to +60°C
Degree of Protection	IP67	IP67	IP67	IP67	IP67	IP67
Dimensions (mm)	105.9 Round	84.8 x 44	95.2 x 95.2	117 x 117	133 x 94	181 x 124
Kit Part Numbers						
Universal* (J1939, NMEA2000 and Analogue)	9402	9406***	9408	9410	9412	9414
J1939 Only**	9401	9403	9407	9409	9411	9413

*Required to support gateway function

**No gateway

***Analogue not available on the R3s

Software

The UEM software includes typical functions used in the Marine sector, offering user friendly selectable icon based display layouts (gauge, numeric, graph or bar) and includes a comprehensive multi language text based fault warning and acknowledgement system.

Configuration options written in the software give the ability to connect to mechanical engines as well as engines with an ECU.

KEY FEATURES

- > Compatible with virtually any Engine Type or Sender
- > Gateway feature converts incoming data to NMEA 2000 for output to other multi-function displays
- > Full J1939 DM1 message centre and parameters
- > Supports NMEA 0183 GPS input*

*Excluding R3s

Displayed Data If Received From The Engine and Transmission		Faults (Suspect Parameter Number) Available With Relevant Message Such As Too High/Low
Electrical	Miscellaneous	<ul style="list-style-type: none"> • 5 Volt DC Supply • Accelerator Pedal Position • Air Inlet Pressure • Auxiliary Temperature #1 • Barometric Pressure • Battery Voltage - Actual • Battery Voltage - Switched • Boost Pressure • Coolant Level • Crankcase Pressure • ECU 8V DC Supply • Engine Coolant • Engine Coolant Pressure • Engine Fuel Metering • Engine Load • Engine Oil Filter Differential Pressure • Engine Oil Level • Engine Oil Pressure • Engine Oil Temperature • Engine Speed • Engine Speed Sensor • Exhaust Temperature • Fuel Level • Fuel Pressure • Fuel Rate • Fuel Temperature • Intake Manifold Temperature • Navigation Based Vehicle Speed • Temperature • Timing Sensor • Total Engine Hours • Total Fuel Used • Transmission Oil Pressure • Transmission Oil Temperature • Water In Fuel
<ul style="list-style-type: none"> • Alternator Current • Alternator Potential • Battery Potential Switched • Electrical Potential • Net Battery Current 	<ul style="list-style-type: none"> • CANtx Disable • Current Gear • Selected Gear • Torque Converter Lock-Up Engaged 	
Fuel	Percentage	
<ul style="list-style-type: none"> • Fuel Leakage 1 & 2 • Fuel Rate • Fuel Remaining • Instantaneous Fuel Economy • Total Fuel Used • Trip Fuel Economy • Trip Fuel Rate 	<ul style="list-style-type: none"> • Acceleration Position • Actual Engine % Torque • Coolant Level • Drivers Demand % Torque • Engine Oil Level • Estimated % Fan Speed • Fuel Level • Throttle Position • Torque Use at RPM 	
Pressure	Speed	
<ul style="list-style-type: none"> • Air Filter 1 Differential Pressure • Air Inlet Pressure & Air Start Pressure • Auxiliary Pressure 1 • Barometric Pressure • Boost Pressure • Engine Oil Pressure • Fuel Delivery Pressure • Injection Control Pressure • Injector Metering Rail 1 • Pressure Coolant Pressure • Pressure Injector Metering Rail 2 • Transmission Oil Pressure Clutch Pressure 	<ul style="list-style-type: none"> • Engine Desired Operating Speed • Engine Speed • Input Shaft Speed • Turbo 1 Speed 	
		Time
	<ul style="list-style-type: none"> • Total Engine Hours • Trip Engine Hours • Service Hours 	
Temperature		
<ul style="list-style-type: none"> • Air Inlet Temperature • Auxiliary Temperature 1 • Engine Coolant Temperature • Engine ECU Temperature 	<ul style="list-style-type: none"> • Engine Oil Temperature • Exhaust Gas Port 1 & 2 Temp • Exhaust Gas Temp • Fuel Temp 	<ul style="list-style-type: none"> • Intake Manifold 1 Temp • Transmission Oil Temp • Turbo 1 Compressor Inlet Temp • Turbo Oil Temp

Example Screens

Our products continue to be successfully deployed in an enormously diverse range of applications where total reliability is vital.

Displays are also supported with a return to base extended 24-month Manufacturer warranty against mechanical failure or material defects.

R3 3" round touch display



C3 3.5" colour display



C3I 3.5" low profile colour display



T5 5" touch display



T7i 7" touch display

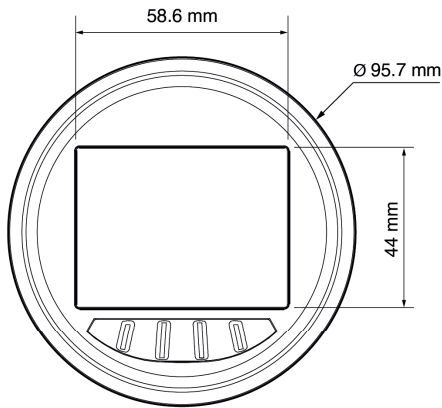




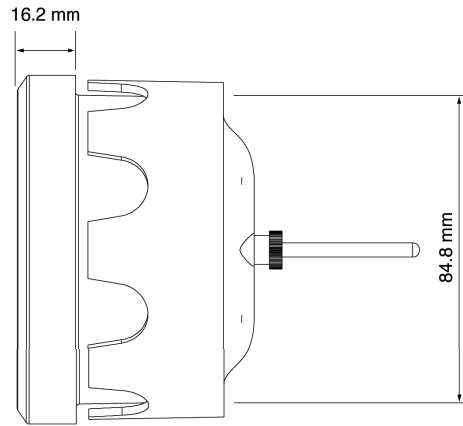
Dimensions

R3S 2.8" ROUND HOUSING DISPLAY

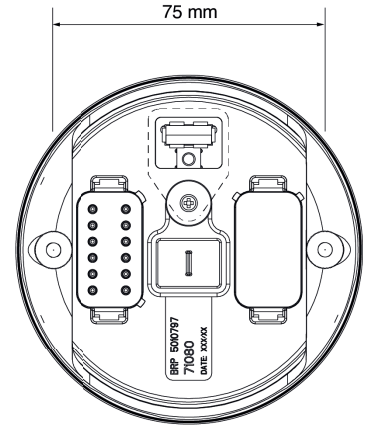
FRONT VIEW



SIDE VIEW

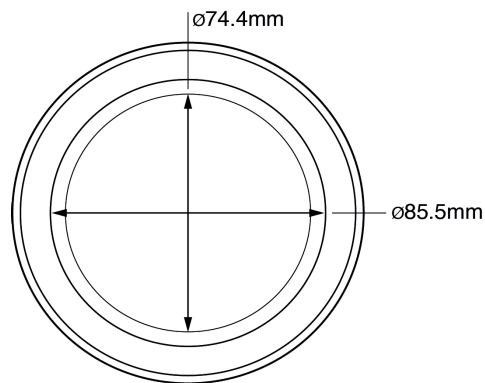


REAR VIEW

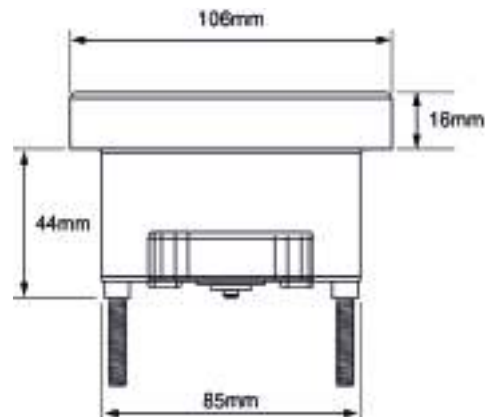


R3 3" ROUND TOUCH DISPLAY

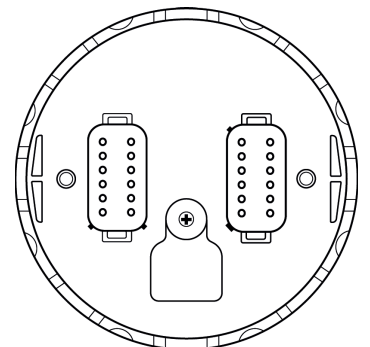
FRONT VIEW



SIDE VIEW



REAR VIEW

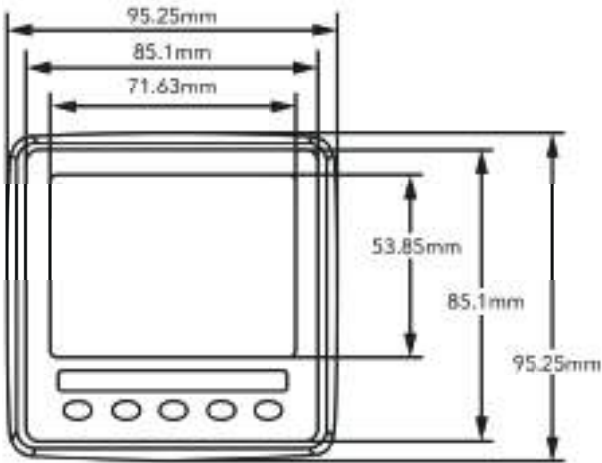




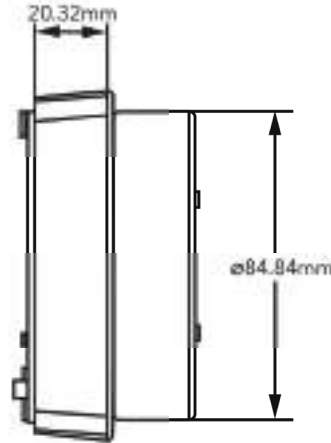
Dimensions

C3 3" COLOUR DISPLAY

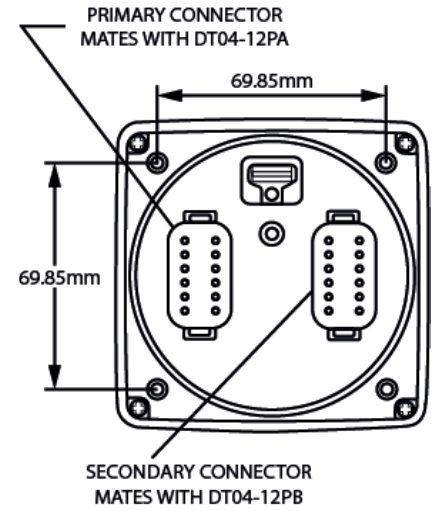
FRONT VIEW



SIDE VIEW

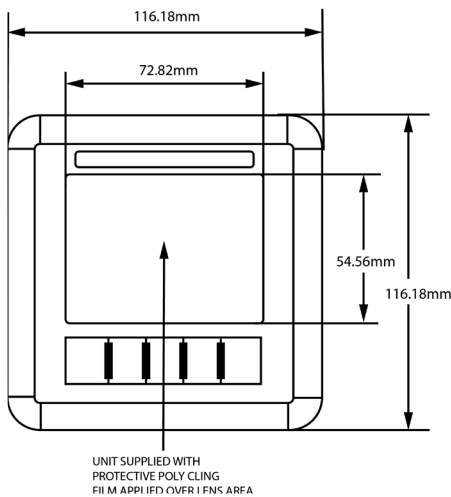


REAR VIEW

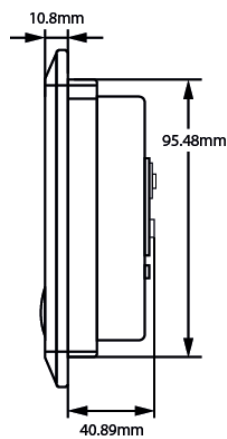


C3L 3" LOW PROFILE COLOUR

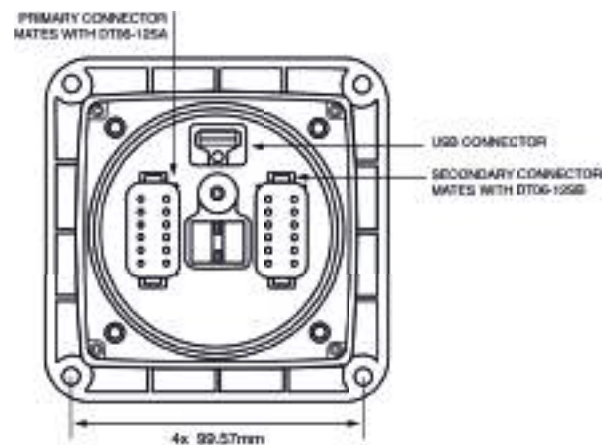
FRONT VIEW



SIDE VIEW



REAR VIEW

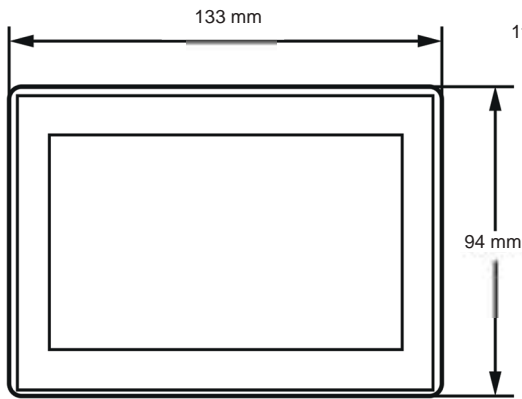




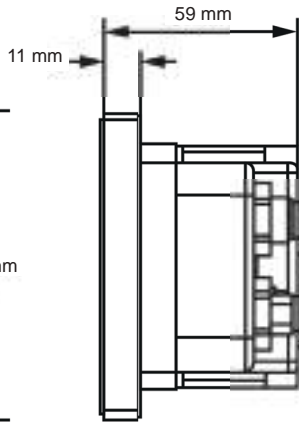
Dimensions

T5 5" TOUCH DISPLAY

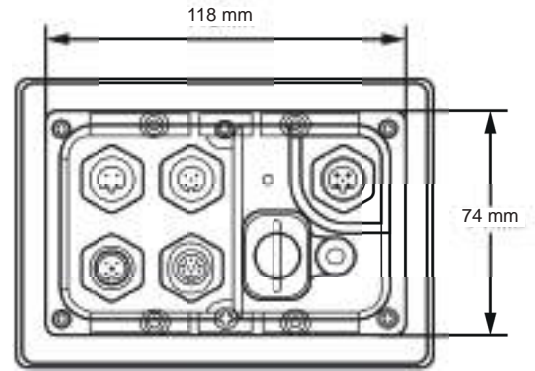
FRONT VIEW



SIDE VIEW

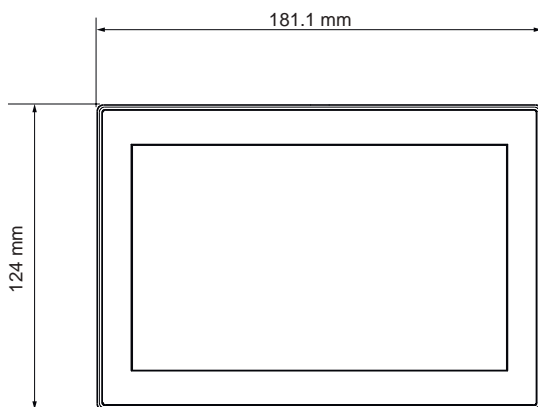


REAR VIEW

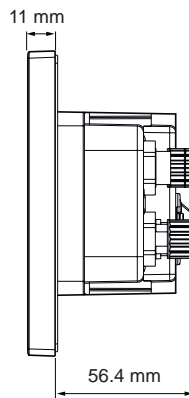


T7I 7" TOUCH DISPLAY

FRONT VIEW



SIDE VIEW



REAR VIEW

