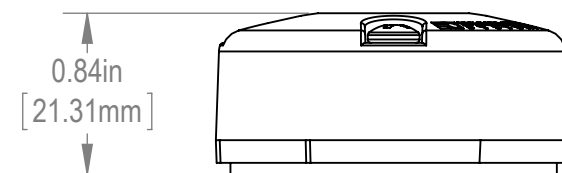
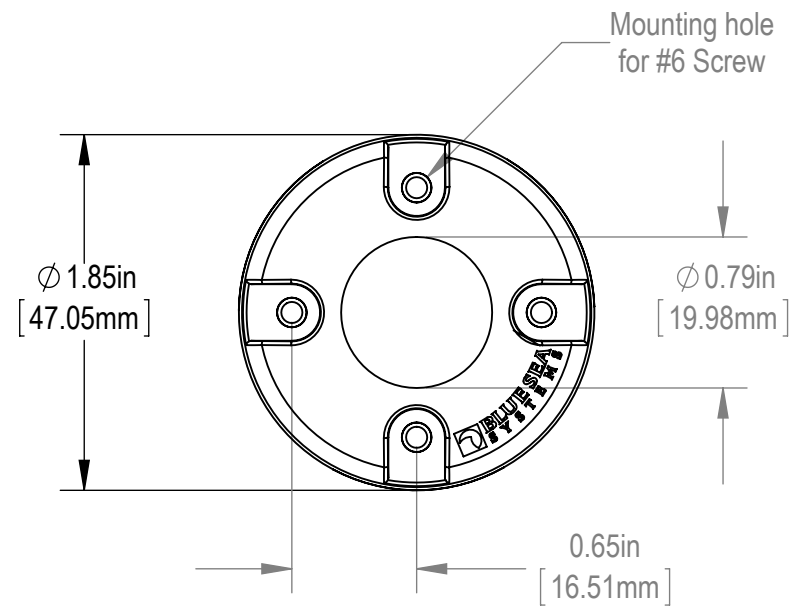


THIS DRAWING AND THE INFORMATION CONTAINED WITHIN IT ARE CONFIDENTIAL AND MAY NOT BE COPIED OR DISCLOSED WITHOUT THE WRITTEN PERMISSION OF BLUE SEA SYSTEMS.

REVISIONS

ZONE	REV.	DESCRIPTION	DATE	APPROVED
-	-	-	-	-



DIMENSIONS ARE SHOWN IN INCHES AND [MILLIMETERS]. UNSPECIFIED TOLERANCES ARE:

ANGLES	INCH	MM
±0°30'	.0000±.002	.000±.051
	.000±.005	.00±.127
	.00±.010	.0±.254

MATERIAL --

FINISH --

DO NOT SCALE DRAWING

	NAME	DATE
DRAWN	-	-
CHECKED	-	-
	-	-
	-	-
	-	-
	-	-

COMMENTS:

-



Part Number ----

SIZE	DWG. NO.	REV.
B	1001-1 CableClam .625 Inch	A

SCALE 1:1 WEIGHT: POUNDS SHEET 1 OF 8

THIRD ANGLE PROJECTION

