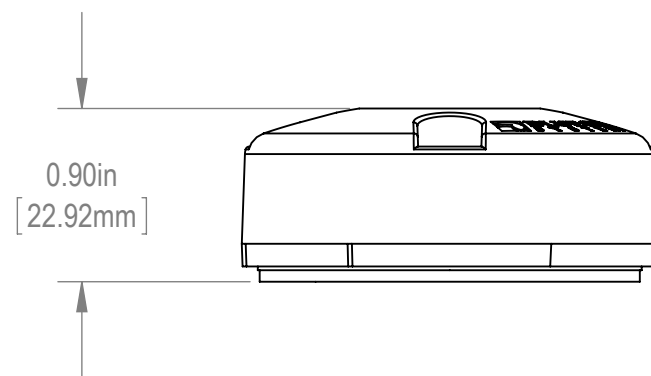
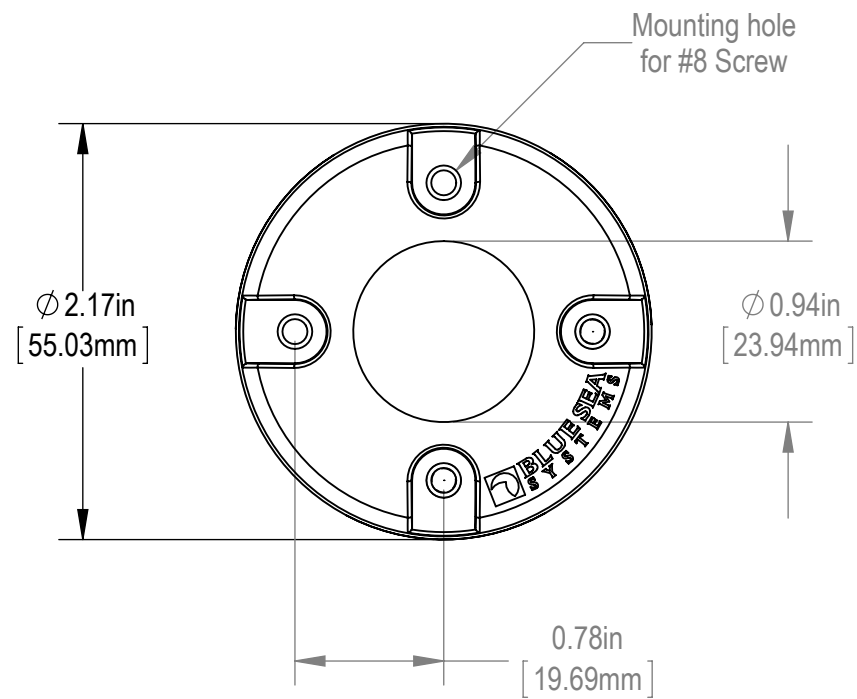


THIS DRAWING AND THE INFORMATION CONTAINED WITHIN IT ARE CONFIDENTIAL AND MAY NOT BE COPIED OR DISCLOSED WITHOUT THE WRITTEN PERMISSION OF BLUE SEA SYSTEMS.

REVISIONS

| ZONE | REV. | DESCRIPTION | DATE | APPROVED |
|------|------|-------------|------|----------|
| -    | -    | -           | -    | -        |



THIRD ANGLE PROJECTION



DIMENSIONS ARE SHOWN IN INCHES AND (MILLIMETERS). UNSPECIFIED TOLERANCES ARE:

| ANGLES             | INCH             | MM              |
|--------------------|------------------|-----------------|
| $\pm 0^{\circ}30'$ | .0000 $\pm$ .002 | .000 $\pm$ .051 |
|                    | .000 $\pm$ .005  | .00 $\pm$ .127  |
|                    | .00 $\pm$ .010   | .0 $\pm$ .254   |

MATERIAL --

FINISH --

DO NOT SCALE DRAWING

|         | NAME | DATE |
|---------|------|------|
| DRAWN   | -    | -    |
| CHECKED | -    | -    |
|         | -    | -    |
|         | -    | -    |
|         | -    | -    |

COMMENTS:

**BLUE SEA SYSTEMS**

425 Sequoia Drive Bellingham, WA 98226  
Phone (360)738-8230 Fax (360)734-4195

Part Number ----

| SIZE      | DWG. NO.                   | REV.         |
|-----------|----------------------------|--------------|
| B         | 1002-1 CableClam .825 Inch | A            |
| SCALE 1:1 | WEIGHT: POUNDS             | SHEET 2 OF 8 |